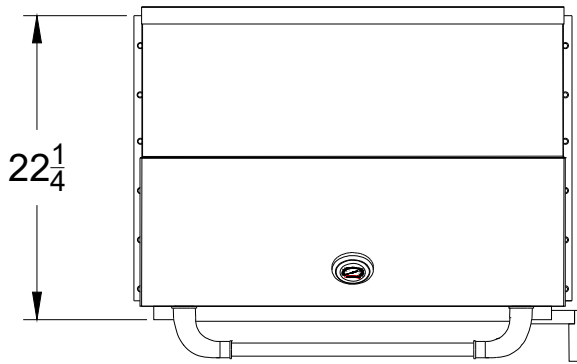




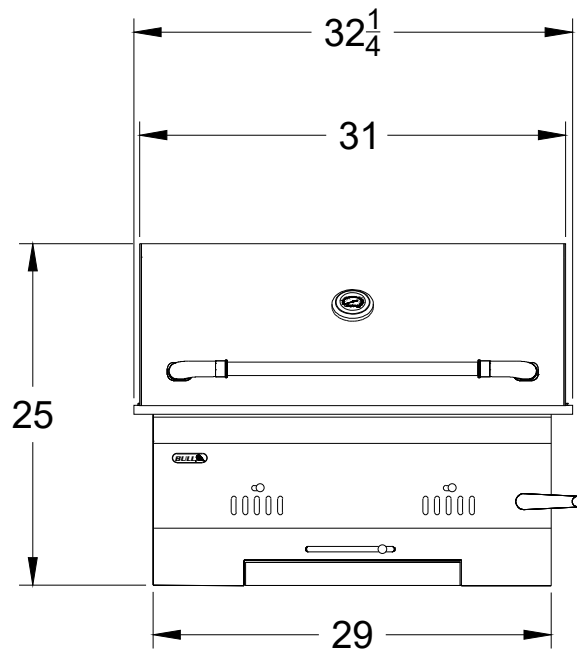
SPEC SHEET
ITEM #88787
BISON PREMIUM
CHARCOAL GRILL



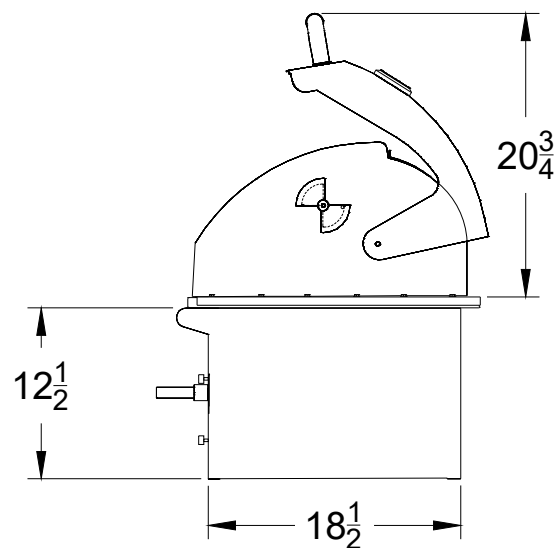
ISOMETRIC VIEW



TOP VIEW



FRONT VIEW



SIDE VIEW WITH LID OPEN

NOTES:

1. ALL DIMENSIONS ARE IN INCHES
2. INSTALLATION CUTOUT DIMENSIONS: 29 1/2 WIDE X 12 1/2 TALL X 18 1/2 DEEP