

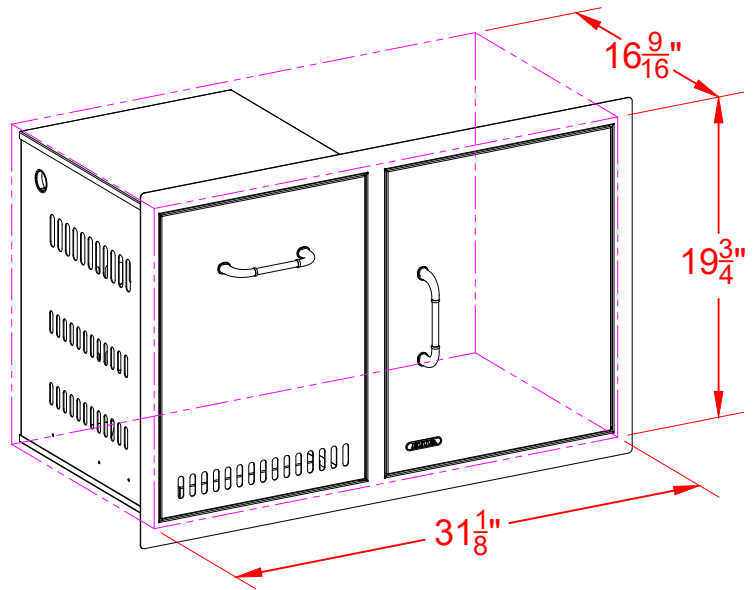


SPEC SHEET OUTLINE

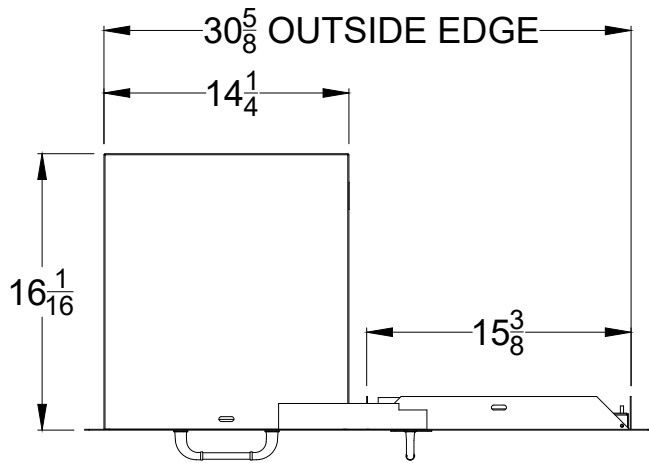
ITEM# 65784

DESCRIPTION -

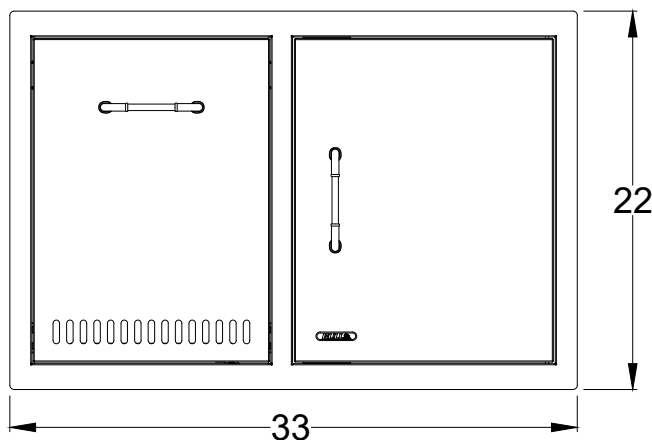
DOOR / PROPANE
DRAWER COMBO



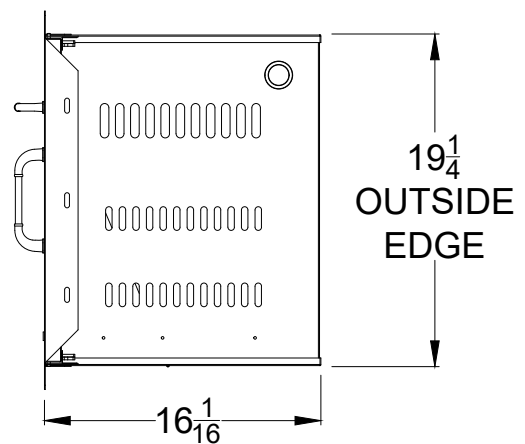
PERSPECTIVE VIEW
WITH INSTALLATION
CUT OUT DIMENSIONS



TOP VIEW



FRONT VIEW



RIGHT SIDE VIEW

NOTES:

- 1) ALL DIMENSIONS ARE IN INCH UNITS
- 2) REFER TO PERSPECTIVE VIEW FOR INSTALLATION CUTOUT DIMENSIONS.
- 3) REFER TO PAGE 2 FOR PART INFORMATION
- 4) PAGES 3 - 5 FOR WARRANTY POLICY