

4K

Owner's Guide



Thank you for your purchase!

Please read this guide carefully to ensure you get the very best results from your **4K**

Check out our website for great hints and tips and please take a few minutes to download our free app which is packed full of delicious recipes and user guides.



everdurebyheston.com.au



Scan here to get started



DO NOT OPERATE THIS APPLIANCE BEFORE READING THE INSTRUCTION BOOKLET

DO NOT PLACE ARTICLES ON OR AGAINST THIS APPLIANCE

DO NOT STORE CHEMICALS OR FLAMMABLE MATERIALS OR SPRAY AEROSOLS NEAR THIS APPLIANCE

DO NOT OPERATE THIS APPLIANCE INDOORS

DO NOT LIGHT WITH HOOD CLOSED.



Do not load more than 1kg of solid fuel from cold into this appliance. Overfilling the chamber with charcoal can result in spoilt food and / or product damage.

_This charcoal electric outdoor oven is intended for **OUTDOOR USE ONLY**. Do not use indoors!

_For your safety and enjoyment, read all operating instructions before using this appliance.

_In certain circumstances electrical appliances may be a health hazard. Unplug the appliance before cleaning or carrying out maintenance. When the appliance is not in use, unplug the appliance from the outlet and retract the power cord fully.

_This appliance can be used by children aged from 8 years and above and persons with reduced physical, sensory or mental capabilities or lack of experience and knowledge if they have been given supervision or instruction concerning use of the appliance in a safe way and understand the hazards involved. Children should not play with the appliance. Cleaning and user maintenance shall not be performed by children without supervision.

_Unsupervised children or pets should not be near the oven while cooking or during warm up or cool down. Ensure children or pets are kept a distance well away from the oven whilst it is in use. **WARNING!** Keep children and pets away.

_Ensure that all electrical connections are secure, dry and protected from moisture before operating this appliance. **DO NOT** disconnect the appliance with wet hands and **DO NOT** disconnect the power cord with extreme force.

_If the power cord is damaged, it must be replaced by the manufacturer, an authorised service center or qualified persons to avoid a hazard.

_Always fully extend the retractable power cord when in use (leaving the power cord fully or partially retracted can cause the cord to overheat & become damaged). Take care not to exert undue force on the cord and its assembly when adjusting the length. If use of an extension power lead cannot be avoided, always use good quality (low resistance) leads that are suitable for the environment where cooking is taking place, and use the shortest length possible to reduce any power lost to the appliance.

_Do not use this appliance with a programmer, timer or any other device that switches the appliance on automatically, since a fire risk exists if the appliance is covered or positioned incorrectly.

_Do not immerse the oven in water. (only removable grills and charcoal grids can be immersed)

_As charcoal can smolder for an extended period of time, take care when removing ash after cooking. It is recommended that a non-combustible container (metal or ceramic) be used to contain any ash before being doused in water and disposed of correctly.

_This oven has been designed to be used on the base provided or built in. When on the base ensure the surface is level and strong enough to support the oven. When building in the oven the fixture must be able to withstand temperature of 80°C above ambient temperatures.

_Cool-to-touch* statement:

The 4K is built with safety in mind. Insulation material and a double walled construction will drastically reduce the radiant heat transfer to the outer body up to a **maximum oven temperature of 220°C with the hood closed for no longer than 2 hours**.

The hood and top venting area **are not** cool-to-touch and extreme caution should be exercised when handling this area during times of prolonged use. We always recommend wearing heat resistant gloves when cooking with the 4K.

*Max temperature for contact zone excluding hood and top venting is 60°C above ambient temperature

_People with flammable clothing such as nylon etc. should keep well away from the oven when it is operating.

_Do not use this appliance for any purpose other than what it is intended for. In case of fat fires, remove food (if possible) and allow the fire to burn out naturally. Most fat will burn off quickly when it contacts the charcoal, but regular cleaning after use should reduce the build-up of fat and food residues which are combustible and can result in a fat fire. Fat fires can be prevented with diligence in cleaning fats and oil from the heat shield and bowl around the electrical element and the inner chassis. Do not allow ash to build up inside the chassis – clean up after every use.

It is important that you retain these instruction, proof of purchase as well as other important documents about this product for future reference.

Due to continual product development, Everdure by Heston Blumenthal reserves the right to alter specification or appearance without notice.



Warnings

_Keep your oven protected against strong wind where possible. As charcoal cooking can vary in time and intensity, it is recommended that the oven not be left unattended for more than 5 minutes at a time while cooking

_This appliance is not suitable for mounting in a movable vehicle (boat, trailer etc.)

_Do not use or store this appliance in areas of high salt content (a marine environment) or an area with caustic fumes or liquids (such as a domestic pool), as these chemicals can cause the appliance materials to deteriorate (and void the warranty). Regular cleaning and covering with an Everdure by Heston Blumenthal charcoal electric outdoor oven cover can help to reduce this

_**WARNING:** Accessible parts may become hot when used. - handle with care.

_Charcoal and coal products produce carbon monoxide when burned. When the appliance is being used with solid fuels, always keep the appliance in a well ventilated area to prevent the gasses produced from building up

_Do not use solid fuels impregnated with fire accelerants or use any other type of accelerant on this appliance. This appliance is designed for electrical charcoal ignition only. Using any accelerant could cause serious property damage or personal injury.

WARNING! Do not use spirits or petrol for lighting or re-lighting! Do not use firelighters for lighting or re-lighting!

_The ignition timer is set to 7 minutes. Whilst this is in operation, the element will run, heating and igniting the charcoal above it. Once the timer has finished, do not start again as the heat from the element will interfere with the natural progression of the charcoal ashing. If the oven reaches 300C the element will automatically stay off as to avoid overheating.

_This oven is designed to cook with lump charcoal. The heat produced and consumption time may vary dramatically depending on the type of fuel and prevailing weather conditions.

_Always allow the solid fuel to burn out naturally after cooking. Do not use any liquids to douse the charcoal. Do not move the appliance while the coals are still burning as hot ash, coal particles, unburned fuel and hot cooking fats & oils could spill and accessible parts may be very hot. The oven should not be moved by lifting. Do not use volcanic rock or any type of non-combustible product in the charcoal chamber. If in doubt on what fuels can be used, check the Everdure by Heston Blumenthal website or contact the Service Department.

_Solid fuels differ widely in burning time, heat, size and combustion. Always be aware of your surroundings and potential fire hazards caused by sparks or spitting fuels. Never dispose of solid fuels or hot ashes in areas where they can be trodden on or be a fire hazard. Never dispose of unburned solid fuels or ash until it has completely extinguished. The oven must be installed on a secure level base prior to use. We recommend using 100% natural lump charcoal in this appliance (see www.everdurebyheston.com)

_Always check with your local/state authorities before using this appliance for any fire restrictions regarding the use of an outdoor oven (due to local weather conditions)

_When using solid fuels, take care that the surrounding environment is clear of combustible materials. Do not cook under overhanging buildings or close branches of trees. Note that solid fuels will produce varying amounts of smoke – take this into consideration when setting up the oven.

_We recommend that you regularly maintain your oven and keep it in good condition. This can be achieved by following the cleaning and maintenance suggestions in this booklet. Failure to follow these instructions will void your warranty.

This appliance is rated for:

220V–240V~ 50-60Hz

Output 1450 W

LENGTH (mm) 700

WIDTH (mm) 550

HEIGHT (mm) 1150 (on stand)

PACKAGING:

Remove all external packaging and remove the oven from the packaging before operation.

Remove all internal cartons and packaging from within the oven assembly.


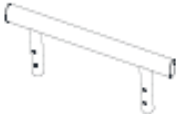




















Recycle as per your local government laws.



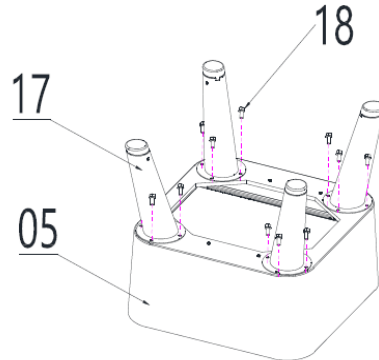
Warning! 2-persons assembly

PARTS:

01. Oven Main Body Assembly×1pc 	02. Lid handle ×1pc 	03. Handle screw ×4pcs 	04. Allen key ×1pc 
05. Stand Assembly×1pc 	06. Charcoal bucket×1pc 	07. Charcoal Grid×1pc 	08. Element Support×2pcs 
09. Element Heat Shield×1pc 	10. Bucket Handle×1pc 	11. Water Container×1pc 	12. Cast-iron Grill×2pcs 
13. High Grill×2pcs 	14. Pizza Stone ×1pc 	15. Probe Bracket ×1pc 	16. Meat Probe×4pcs 
17. Leg Assembly×4pcs 	18. Hex Bolt M6*12mm ×18pcs 	19. Charcoal Tongs ×1pc 	20. Grill Grabber ×1pc 

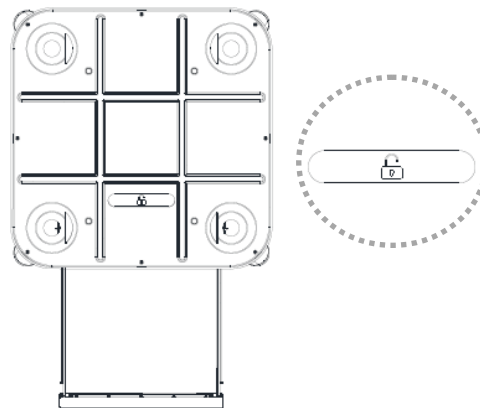
Step 1

Rotate the stand assembly (05) upside-down. Fix the four legs (17) to the bottom of the stand using bolts (18)



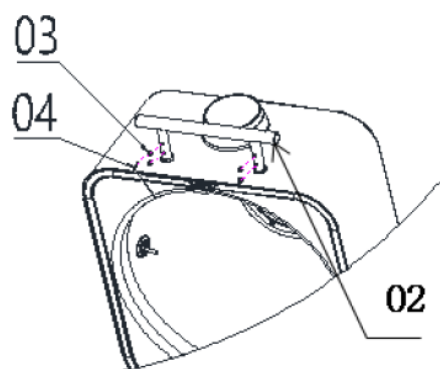
Step 2

Open the draw of the stand and set the slide lock to the “unlocked” position.



Step 3

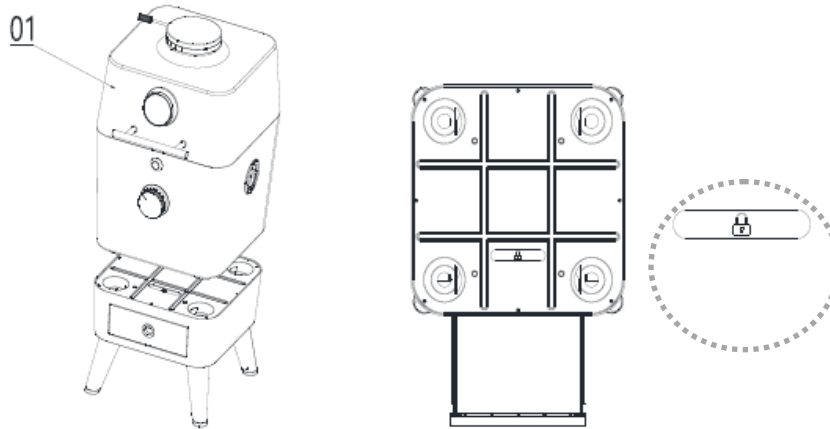
Place the handle (02) onto the fixed handle posts on the lid. Using the Allan key (04) tighten the four handle screws (03)



Step 4

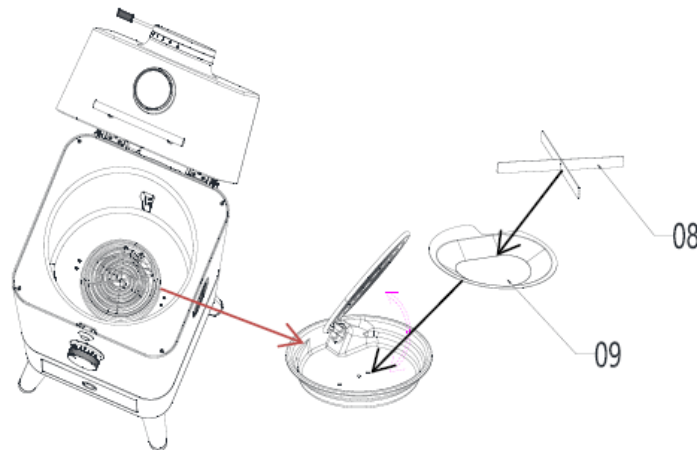


Place oven main body (01) onto the stand and slide lock to the “locked” position (2-persons)



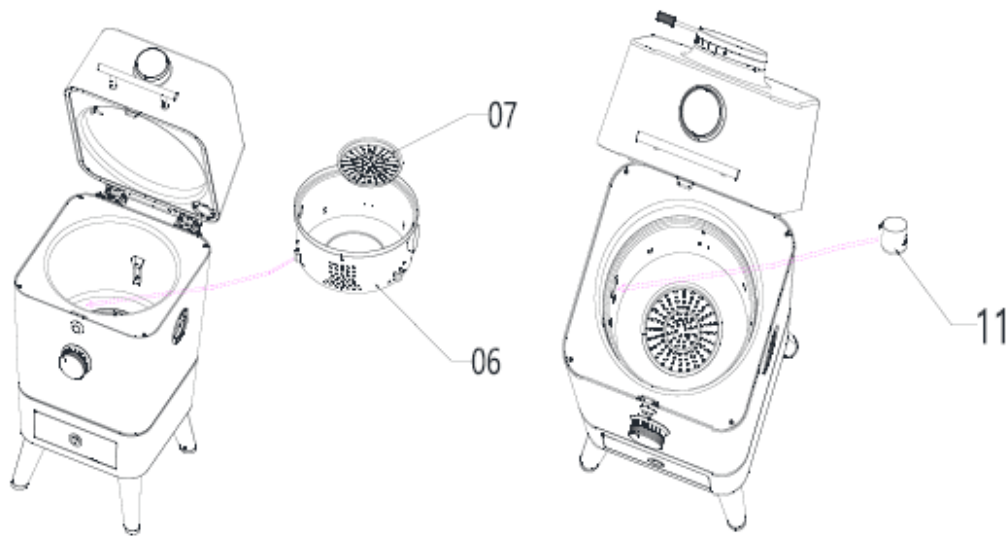
Step 5

Fit the element support system. Remove any plastic protection beforehand.



Step 6

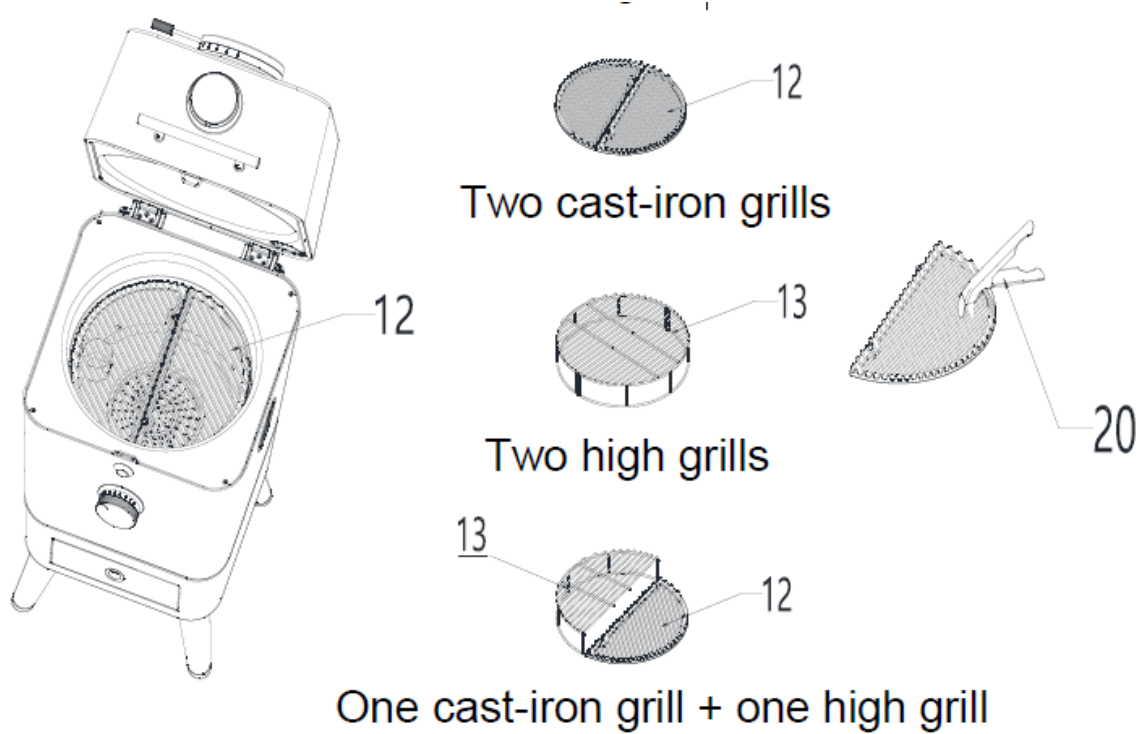
Place the charcoal bucket (06) centrally inside the oven, note the guide slots on the charcoal bucket correspond to the inner guide slots on the firebox. Place the charcoal grid (07) in the center hole above the element. Place the water container (11) within the charcoal bucket. You can use the charcoal bucket handle (10) to take the charcoal bucket in and out (remove handle when the product is in use!)



Step 7

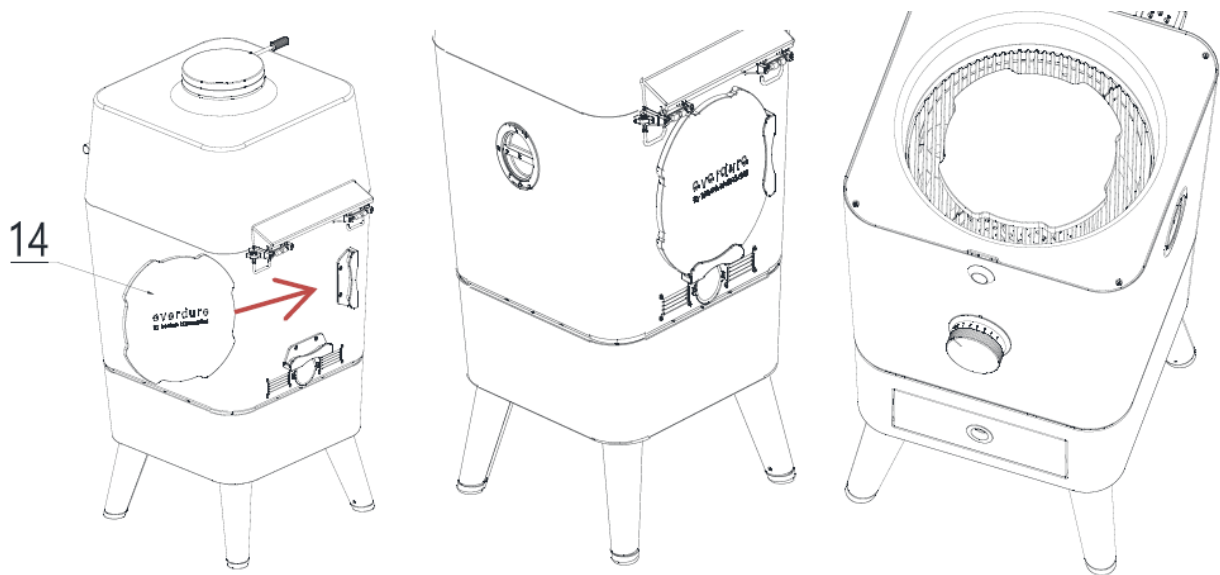
Place the two cast-iron grills (12) or two high grills (13) or one of each onto the charcoal bucket. You can choose which ever combination best suits.

Take care to ensure the grills are level and stable. This oven comes with a pair of grill grabbers (20) to allow easy installation and removal for the grills



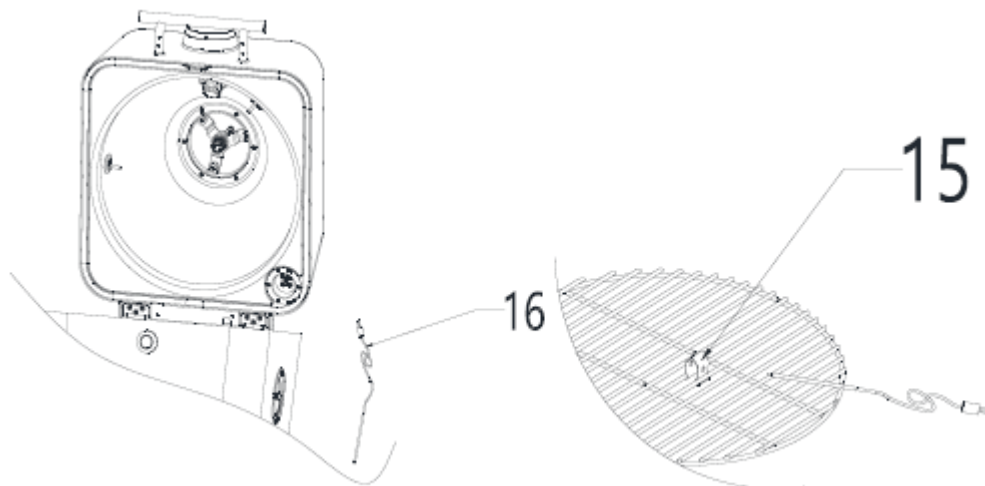
Step 8

The pizza stone (14) can be stored on the rear bracket while not in use. The pizza stone can be used as a heat diffuser during cooking. Place it onto a grill surface not directly onto the charcoal. There are also handy hang zones for utensils, located at the rear. Push up and out to access.



Step 9

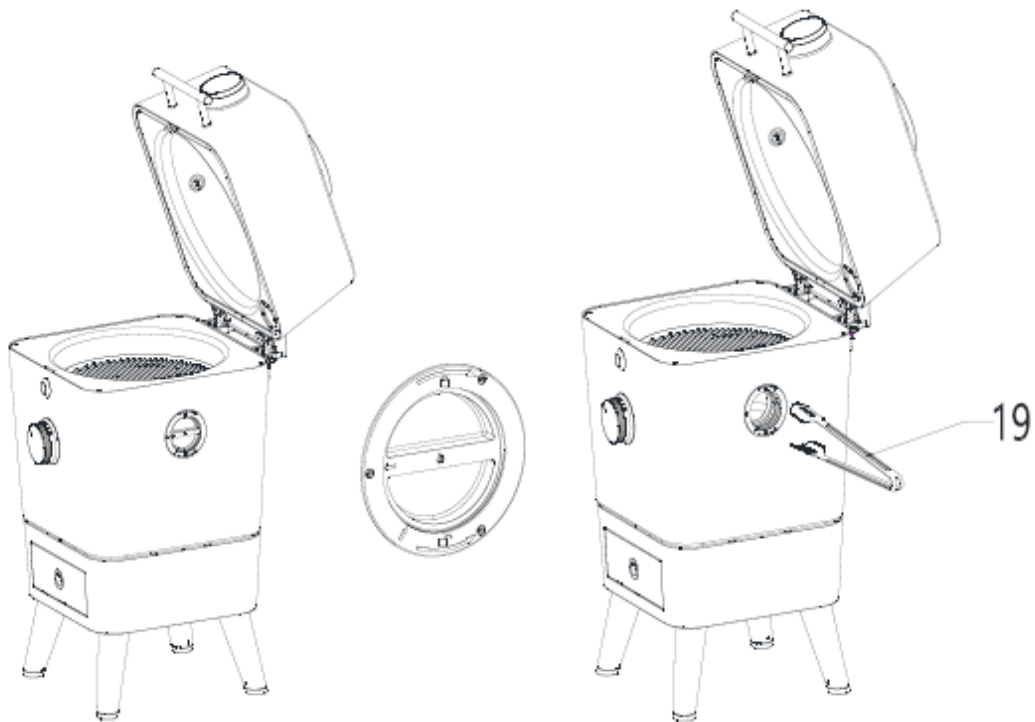
In the lower right corner of the lid assembly there is a probe connection point. The probes (16) can be inserted directly into the meat or in conjunction with the probe bracket (15) to detect the grill temperature. **Probes are not dishwasher safe!**

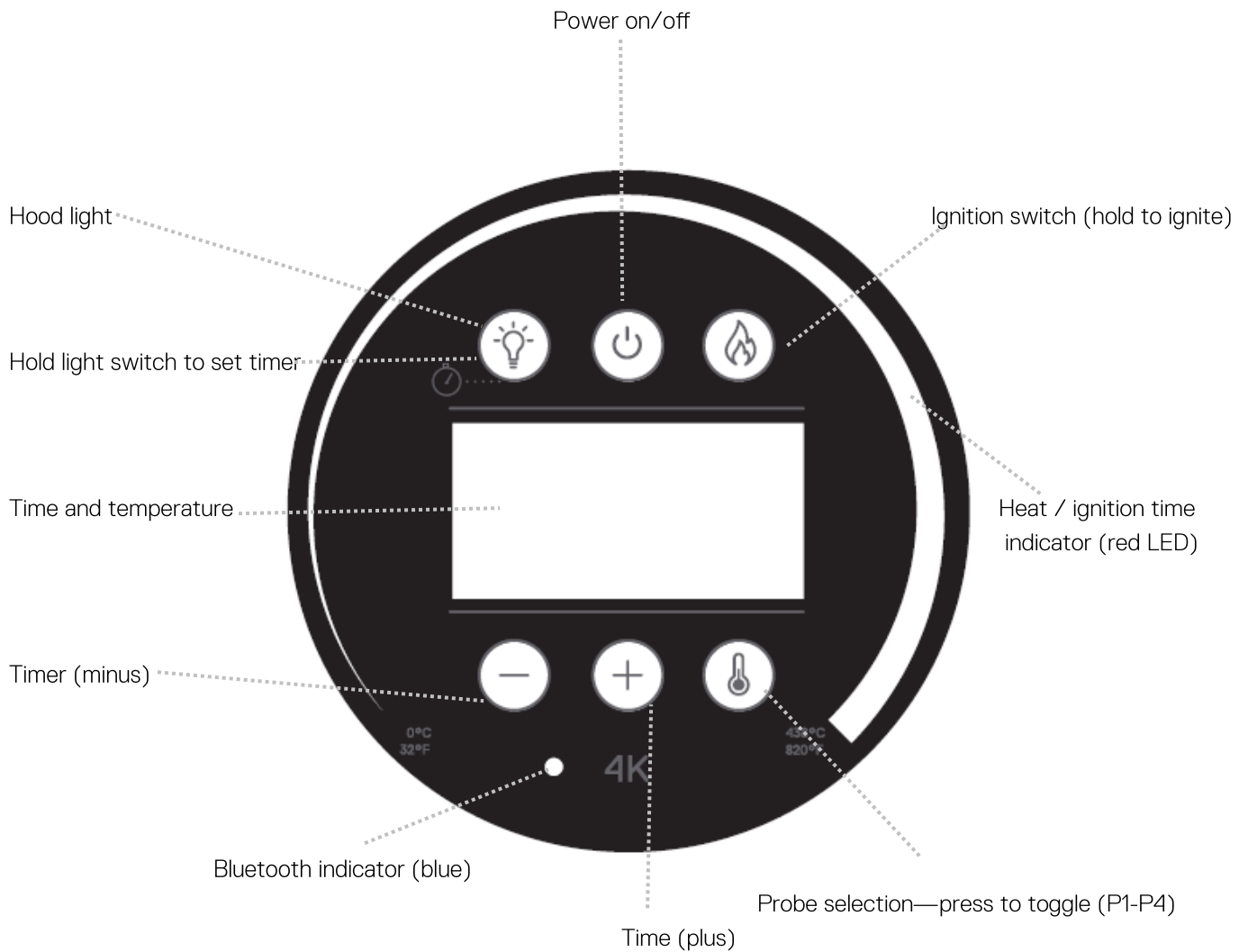


Step 10

On the right-hand side of the main body there is a fuel supply window. This handy feature allows you to add fuel using the supplied charcoal tongs (19)

Note: On the fuel cap base there are some rotary indication marks. When the two small arrows are aligned the cap will open. On the charcoal tongs there are three depth indication marks which correspond with their location within the oven.





Charcoal ignition:

Power on. Press the ignition switch for 3 seconds. The switch will light up and there will an audible 'beep'. The heating element (1400W) will run at full power for 7 mins.

The oven temperature will appear and will switch between the ignition time and the oven temperature. When the ignition cycle is complete, another audible 'beep' will signal that the ignition is over. The light behind the ignition switch will go off.

LED bar: During ignition, the LED bar will show the proportion of the elapsed ignition time. When the ignition cycle is complete, the LED bar will show the actual temperature in proportion to maximum temperature.

Probe display:

The probe toggle switch will automatically pick up the P1-P4 selection, depending on how many probes are inserted into the ports. The display will show the name of the first connected meat probe and the certain indicator lights up.

The display will show the temperature of the first connected meat probe for 10 seconds. If no further operation in 10 seconds, the display will go back to the oven temperature and (and ignition time if it is in this cycle)

Timer set:

Hold the light switch for 3 seconds, the display will start to flash. Hold down either the +/- switch to set by the hour, short press for minutes. Press the light switch again to set. The display will switch between the timer set (counting down) and the oven temperature.

Switch off:

Press the on / off button for 3 seconds to switch the power off at the display.

Change temp display from Celsius to Fahrenheit:

Hold the probe selection switch for 3 seconds.

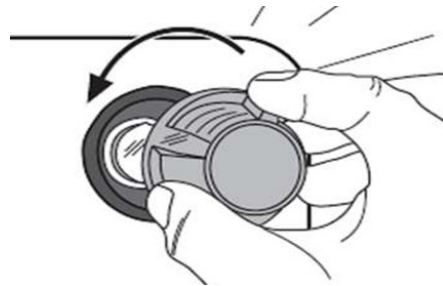
Changing the light globe

The light globe is located in the hood of the oven

- 1) Disconnect the oven from the power
- 2) Unscrew the lamp cover (anti-clockwise)
- 3) Gently pull the globe out

Bulb Specifications:

- 10W
- 12V
- 300°C
- G4 Halogen



Error Codes

E1: Inner hood chamber probe error

E2: Inner hood chamber probe error

E3: Meat probe P1 error, buzzer alarm for 1min.

E4: Meat probe P2 error, buzzer alarm for 1min.

E5: Meat probe P3 error, buzzer alarm for 1min.

E6: Meat probe P4 error, buzzer alarm for 1min.

If you receive any of the above errors, Contact Everdure by Heston Blumenthal for service support.



Problem	Solution
Power supply interrupted	Check if the LED display is working by pressing the power button. Check that the cord is still plugged into the socket. Check if the retractable cord is over extended (this can cause interruption to the power) Contact Everdure by Heston Blumenthal for service support
Appliance is tripping the RCD / Fuse box	If the appliance is allowed to remain in wet conditions, the electric element can trigger an earth leakage. Do not attempt to repair the appliance. Contact Everdure by Heston Blumenthal for service support
Display is difficult to read in the sunlight	The 4K should not be used in direct sunlight. The display screen is fitted with antiglare (frosted) glass. We recommend positioning the 4K into a shaded area, protected from wind and rain. We recommend downloading the app which will relay the product data to your device via Bluetooth.
Bluetooth connection is weak or dropping out	Reset your device. Update the firmware on your device. Ensure the 4K is positioned in a place free from obstruction. Stay within a 10M radius of the product for best results. Contact Everdure by Heston Blumenthal for service support
Oven is constantly overheating	The 4K is built to retain heat and only requires a very small amount of charcoal to reach +250C. We recommend starting with 200-300grams of coal to begin with. Overloading the 4K with coal is a waste of time, money and can result in product damage and / or spoilt food.
Charcoal is taking a long time to ignite	Ensure that your fuel is always kept in a dry place. Damp fuel can take a long time to ignite. We recommend natural lump charcoal for best results. Whilst briquettes can be used, they may take longer to ignite due to the noncombustible materials contained inside the fuel.
Food probes are not working	Do not put the food probes into a dishwasher! The food probes are not waterproof and should not be submersed in water. Contact Everdure by Heston Blumenthal for service support
Broken part	Contact Everdure by Heston Blumenthal for service support

CLEANING



WARNING: Ensure the 4K is completely off and unplugged before attempting to clean.

Allow the product to sufficiently cool before handling.

Outer Surface:

Painted surfaces can be cleaned using mild household detergents or cleaners and a clean cloth. It is advisable to test cleaners on a small section of the appliance first.

Harsh chemicals and / or abrasive cleaners will dull the paint and remove product decals.

DO NOT use paint thinners or similar solvents for cleaning,

DO NOT pour cold water directly over hot surfaces.

Cooking Grills:

After cooking and whilst the oven is still warm, wipe the grills down with a damp cloth. Season the grills before and after use. We recommend vegetable / canola oil.

Whilst the grills can be used in the dishwasher we do not recommend cleaning this way. All grills have a coating to stop food from sticking. After prolonged dishwasher cleaning, this surface coating can breakdown causing the grills to prematurely deteriorate.

Charcoal zone / firebox:



Always wear heat resistant gloves whilst handling any hot parts!

To clean the inner firebox, use warm soapy water and a brush.

100% natural lump charcoal is great for your garden and can be disposed of naturally. Coal briquettes are not natural and should be disposed off responsibly in a waste bin.



Never throw hot ash away!

Top air vent:

This part will naturally start to go dark due to the charcoal smoke. We recommend cleaning the inside of the vent with a small chimney brush and the outside with a damp microfiber cloth

STORAGE

When the appliance is not in use, the oven can be stored outdoors but must be under cover and covered.

The 4K Premium Cover (HBC4COVERL) is perfect and will protect the product from UV and rain. We recommend cleaning the product thoroughly before storing

CAUTION

Do not leave the power cord connected to the power supply for extended periods of time (disconnect after use)



IMPORTANT:

Please keep your receipt, as this must be presented if making a claim under the terms of the Everdure by Heston Blumenthal warranty.

All Service and Assembly Enquires:

IN AUSTRALIA: Telephone 1300HESTON

IN NEW ZEALAND: Telephone (09) 415 6000

OR VISIT: www.everdurebyheston.com

AUSTRALIA

Our goods come with guarantees that cannot be excluded under the Australia Consumer Law. You are entitled to a replacement or refund for a major failure and for compensation for any other foreseeable loss or damage. You are also entitled to have the goods repaired or replaced if the goods fail to be of acceptable quality and the failure does not amount to a major repair.

NEW ZEALAND

Nothing herein contained shall be construed in any way as excluding or limiting your rights under the Consumer Guarantee Act 1993,

OUR WARRANTY

Subject to the following conditions, this product is also covered by the manufacture's 5 YEAR CONDITIONAL WARRANTY from the date of purchase, covering all parts and/or labour.

Our Warranty (which is subject to the conditions below) covers rectification free of charge of any fault arising from defective materials or components, or faulty workmanship.

The product or defective materials will be repaired or replaced at the option of Everdure by Heston Blumenthal, but all costs of installation, removal, cartage, freight, travelling expenses and insurance are to be paid by the claimant. Our Warranty is subject to the product being used for single family domestic household use.

Our Warranty operates in addition to (and does not exclude, restrict or modify) any rights or remedies to which you may already be entitled to under Australian Consumer Law or any consumer guarantees law relating to this product.

WHAT IS COVERED?

During the below listed warranty periods, your oven will be repaired free of charge by Everdure by Heston Blumenthal or its authorised service center provided your oven is delivered to and picked up from Everdure by Heston Blumenthal or its authorised service center, subject to the terms and conditions below.

5 years: Outer body

2 years: Stainless steel parts, heating element, charcoal bucket

2 years: Paint warranty

1 year: All remaining parts

WHAT IS NOT COVERED BY OUR WARRANTY?

1. Any defect or failure caused by the product not being assembled or used in accordance with the instruction/installation manual provided with the product
2. Normal fair wear and tear (e.g. surface rust on cooking plates & heat discoloration).
3. Insect or vermin infestation
4. Unauthorized repairs or use of non-genuine parts.
5. Product scratches & damage as a result of delivery, installation or assembly.
6. Claims to product surface coating due to accidental damage, improper use, of lack of maintenance.
7. Damage from cleaning products not recommended by Everdure by Heston Blumenthal.

HOW TO CLAIM OUR WARRANTY

Contact Everdure by Heston Blumenthal in Australia or New Zealand.