



BULL OUTDOOR PRODUCTS
30 INCH PEDESTAL CART BOTTOM
OWNERS MANUAL

MODEL #45551

FOR USE WITH BULL 30" GRILLS & GRIDDLE

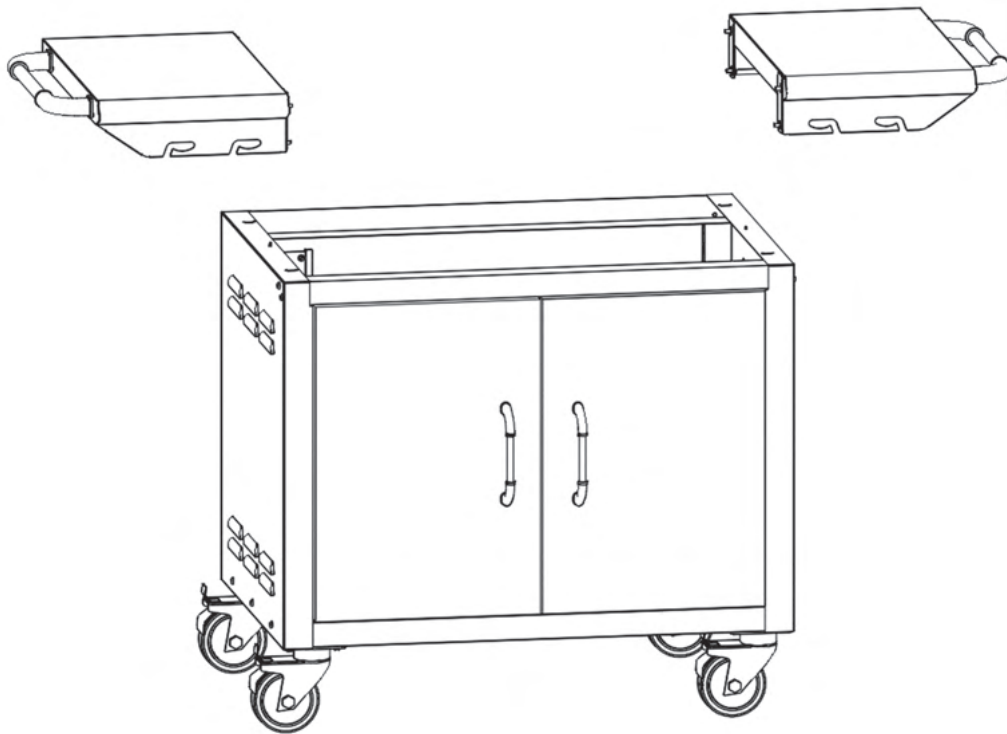




TABLE OF CONTENTS

PAGE#2

REGISTERING YOUR CART AND REPLACEMENT PART ORDERING INSTRUCTIONS ----- 3

REPLACEMENT PART LIST AND ILLUSTRATION----- 4

HARDWARE LIST ----- 5

ASSEMBLY INSTRUCTIONS ----- 6 - 10

PROPANE TANK USAGE ----- 11 - 14

CLEANING AND MAINTENANCE ----- 15

LIMITED WARRANTY POLICY----- 16 – 18

We care about your safety, so please

- READ THE FOLLOWING INSTRUCTIONS CAREFULLY AND BE SURE YOUR GRILL CART IS PROPERLY INSTALLED, ASSEMBLED AND CARED FOR. FAILURE TO FOLLOW THESE INSTRUCTIONS MAY RESULT IN SERIOUS BODILY INJURY AND/OR PROPERTY DAMAGE. IF YOU HAVE QUESTIONS CONCERNING ASSEMBLY OR OPERATION, CONSULT YOUR DEALER OR APPLIANCE SERVICE REPRESENTATIVE.

**- NOTE TO INSTALLER:
LEAVE THESE INSTRUCTIONS WITH THE CONSUMER AFTER INSTALLATION.**

**- NOTE TO THE CONSUMER:
RETAIN THESE INSTRUCTIONS FOR FUTURE REFERENCE.**

***FOR WARRANTY PURPOSES, PLEASE RECORD YOUR MODEL NUMBER, SERIAL NUMBER, DATE OF PURCHASE & A COPY OF YOUR RECEIPT OR INVOICE IN THE BACK OF YOUR MANUAL.**

V2022.5.11



REPLACEMENT PARTS LIST & ILLUSTRATION

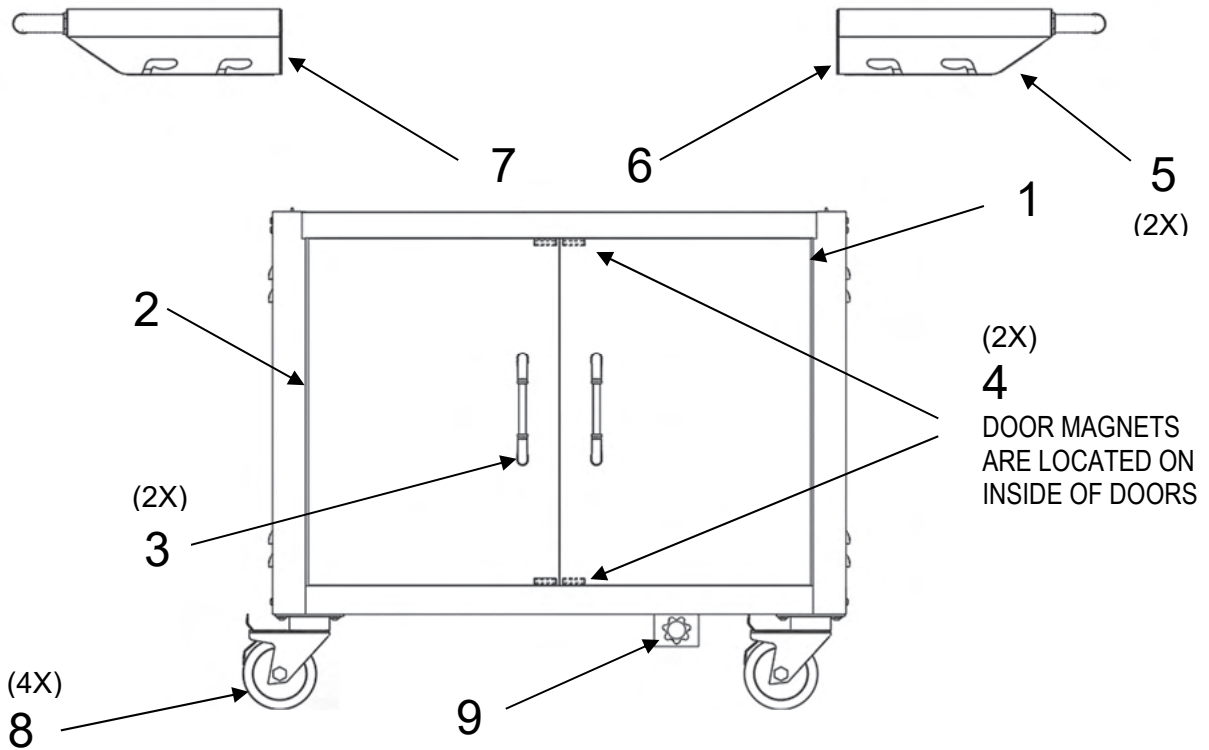
MODEL # 45551

NOTE: Prior to assembly, use the parts list and illustration to verify all the parts are included. Inspect parts for any damage and contact your service center or local dealer for replacement of any damaged parts.

NOTE: Do not attempt to assemble the cart if any of the parts are damaged.

ITEM # ON ILLUSTRATION	BULL PART #	DESCRIPTION	QTY
1	45553	RIGHT DOOR PANEL	1
2	45554	LEFT DOOR PANEL	1
3	16619	DOOR HANDLE	2
4	16694	DOOR MAGNET	2
5	45520	SIDE SHELF HANDLE	2
6	69202	RIGHT SIDE SHELF	1
7	69203	LEFT SIDE SHELF	1
8	16514	SWIVEL CASTER	4
9	75321	TANK RETENTION BOLT	1

WARRANTY PERIOD FOR ALL PARTS IS 1 YEAR



WARNING: Use of any part that is not factory authorized will void your warranty and may be dangerous.

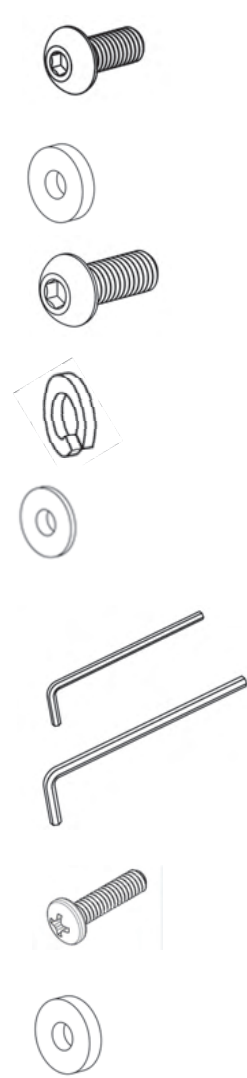


CART ASSEMBLY HARDWARE

NOTE: Prior to assembly, use the list and illustration below to verify all the fasteners are included. If there are missing or damaged fasteners, contact your service center or local dealer for replacement.

NOTE: Do not attempt assembling the cart until you have all the fasteners listed.

LETTER DESIGNATION ON ASSEMBLY ILLUSTRATIONS	DESCRIPTION SIZE	QUANTITY
A	HEX DRIVE BUTTON HEAD SCREW M5 x 12mm LONG	12
B	OVER SIZED FLAT WASHER M5 5.3 ID x 15 OD	12
C	SOC DRIVE PAN HEAD SCREW M8 X 20mm LONG	16
D	LOCK WASHER M8	16
E	FLAT WASHER M8.5 ID X 16 OD	16
F	ALLEN WRENCH M5	1
G	ALLEN WRENCH M8	1
H	PHILLIPS HEAD SCREW M6 X25mm	4
I	OVER SIZED FLAT WASHER M6	4





CART ASSEMBLY INSTRUCTIONS

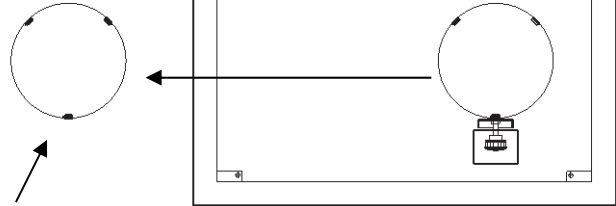
For your safety, Bull recommends the assistance of another person when assembling larger and/or heavier items.

TOP VIEW

Setting up Pedestal Cart Body to install Castors.

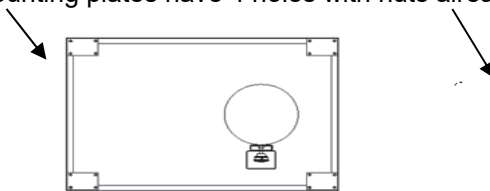
The best way to do this is to flip the cart body upside down before installing per steps below:

- Take a piece of cardboard and lay it down on a flat surface level surface such, i.e., garage floor surface. The cardboard will help prevent scratching the cart while installing the castors.
- Take the Pedestal Cart Body, Castors and Fasteners (C, D and E) out of the shipping box.
- Remove the lid on the floor panel that covers the hole when using a propane tank unless it is already taped in place. The doors mounted to the cart body will be held in place by the magnetic catches.



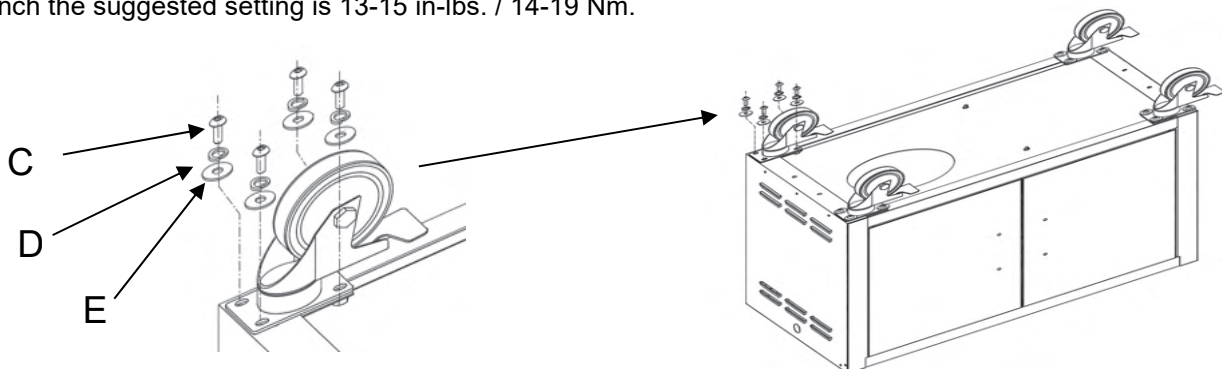
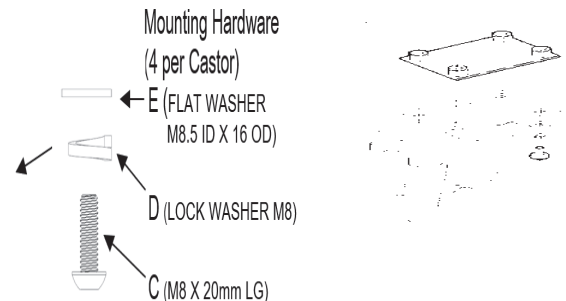
REMOVE LID ON BOTTOM OF CART BEFORE FLIPPING OVER TO MOUNT CASTORS

- Place the cart body upside down on the cardboard. You will see a mounting plate on each corner of the cart body. The mounting plates have 4 holes with nuts already attached.



Installing Casters to Pedestal Cart Body

- Mount the casters to the flanges with fasteners 'C' 'D' and 'E'
- Note:** Lock washer must be between head of fastener and flat washer to work correctly per illustration.
- Note:** Initially, all the fasteners should only be 'finger tight'. Doing this makes assembly easier and reducing the chance of cross threading the screws. Failure to do so may cause irreparable damage to the caster screws.
- Use Allen wrench 'G' to tighten down the fasteners or if using a torque wrench the suggested setting is 13-15 in-lbs. / 14-19 Nm.



- Flip cart back to right side up and set the swivel casters wheels in the locked position to prevent the cart from moving and causing injury.

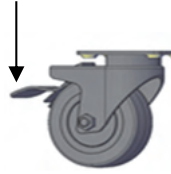




CART ASSEMBLY INSTRUCTIONS (CONTINUED) **INSTALLING THE TRANSFORMER FOR GRILLS WITH LIGHTS**

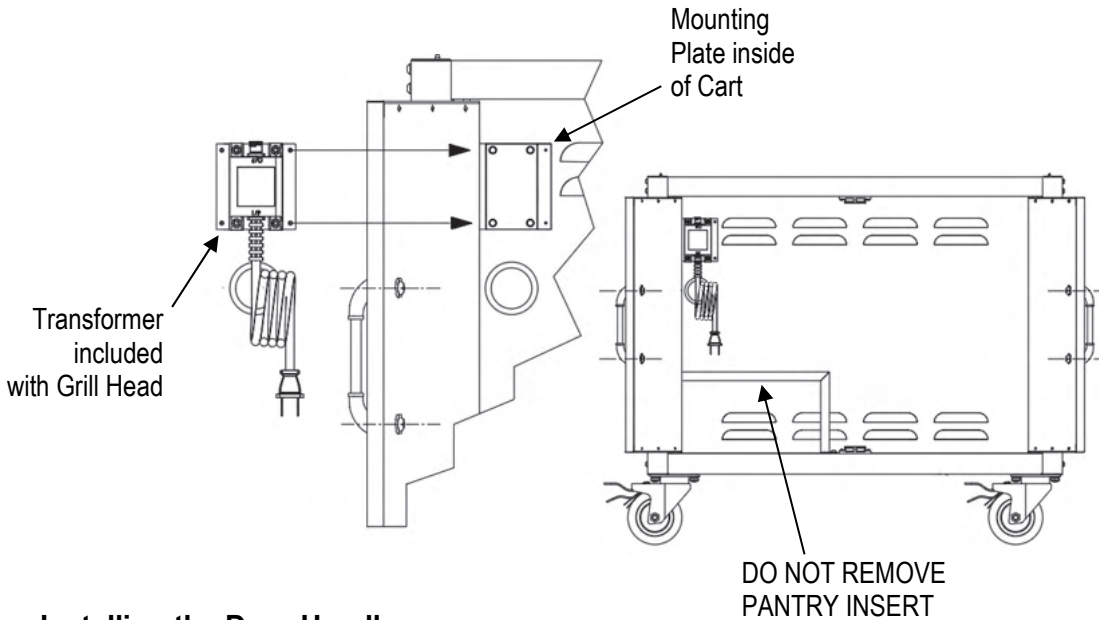
IMPORTANT, Before you begin this task

Set the swivel casters wheels in the **locked position** to prevent the cart from moving and causing injury.



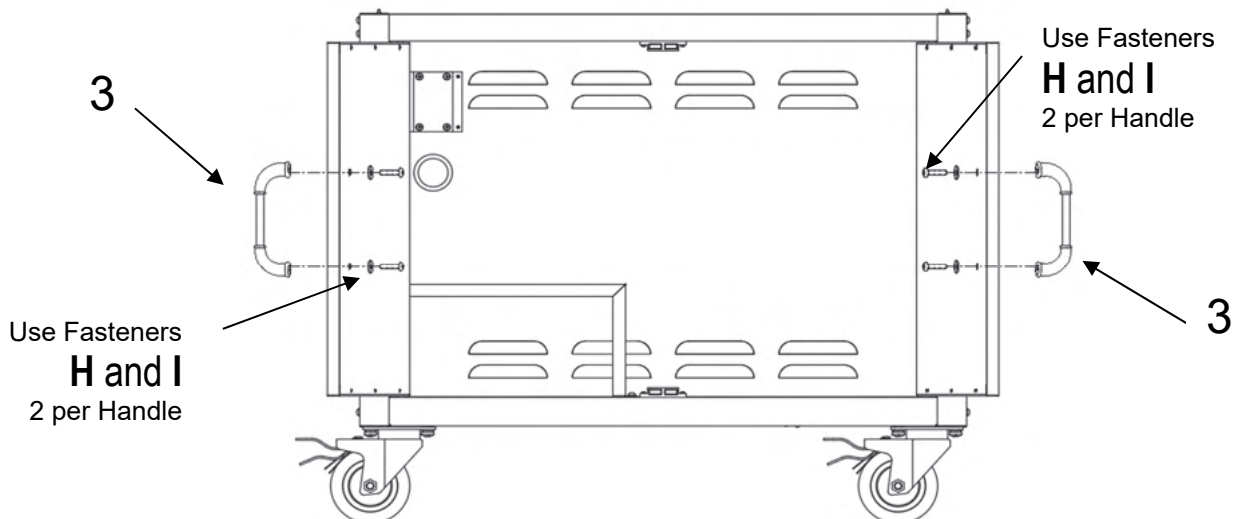
Bull Grills with lights have a transformer that will need to be fastened to the mounting plate on the inside of the of the cart as shown. This task is easier to do before mounting the grill.

The screws are pre-assembled on to the mounting plate per illustration below.



Installing the Door Handles

- a. Mount the door handles with provided fasteners 'H' and 'I'
- b. **Note:** Initially, all the fasteners should only be 'finger tight'. Doing this makes assembly easier and reducing the chance of cross threading the screws. Failure to do so may cause irreparable damage to the caster screws.





CART ASSEMBLY INSTRUCTIONS (CONTINUED)

Installing the Grill Head to the Cart (Please read all instructions before starting)

Safety Guidelines:

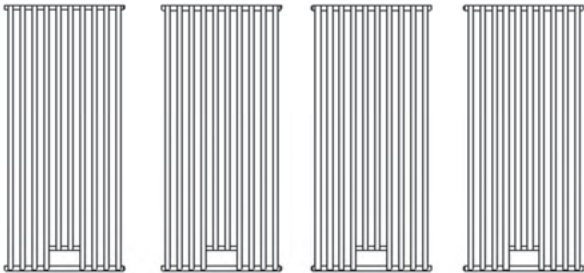
- Set the swivel casters in the **locked position** to prevent the cart from moving and causing injury.
- Warning: Do not attempt to lift grill by yourself. (This step will require at least 2 people).**
The grill will need to be carefully lifted up and placed on to the cart.
- Before lifting the grill remove the items shown below make it lighter prior to lifting.
Continue reading the rest of the instructions before lifting and positioning the grill.



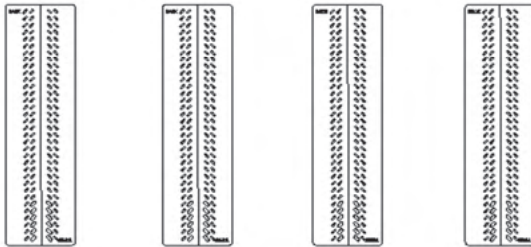
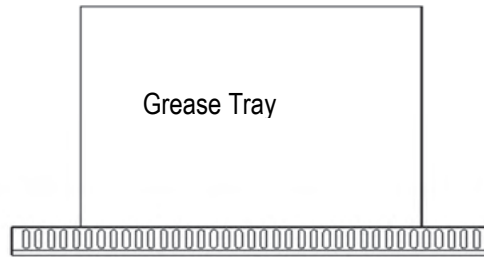
Warming Rack



Cooking Grates



Grease Tray



Flame Tamers



Rotisserie Equipment
Motor bracket may remain on Grill





CART ASSEMBLY INSTRUCTIONS (CONTINUED)

INSTALLING THE GRILL HEAD TO THE CART

IMPORTANT: Set the swivel casters in the **locked position** to prevent the cart from moving and causing injury.

NOTE: If your Grill comes with lights make sure the power cord and plug are tucked up inside the grill before lifting the grill on to the cart, so the cord won't get in the way.

To complete you will need:

- 4 of fastener 'A' M5 x 12mm Long Hex Drive Button Head Screw
- 4 of washer 'B'
- Allen Wrench 'F'

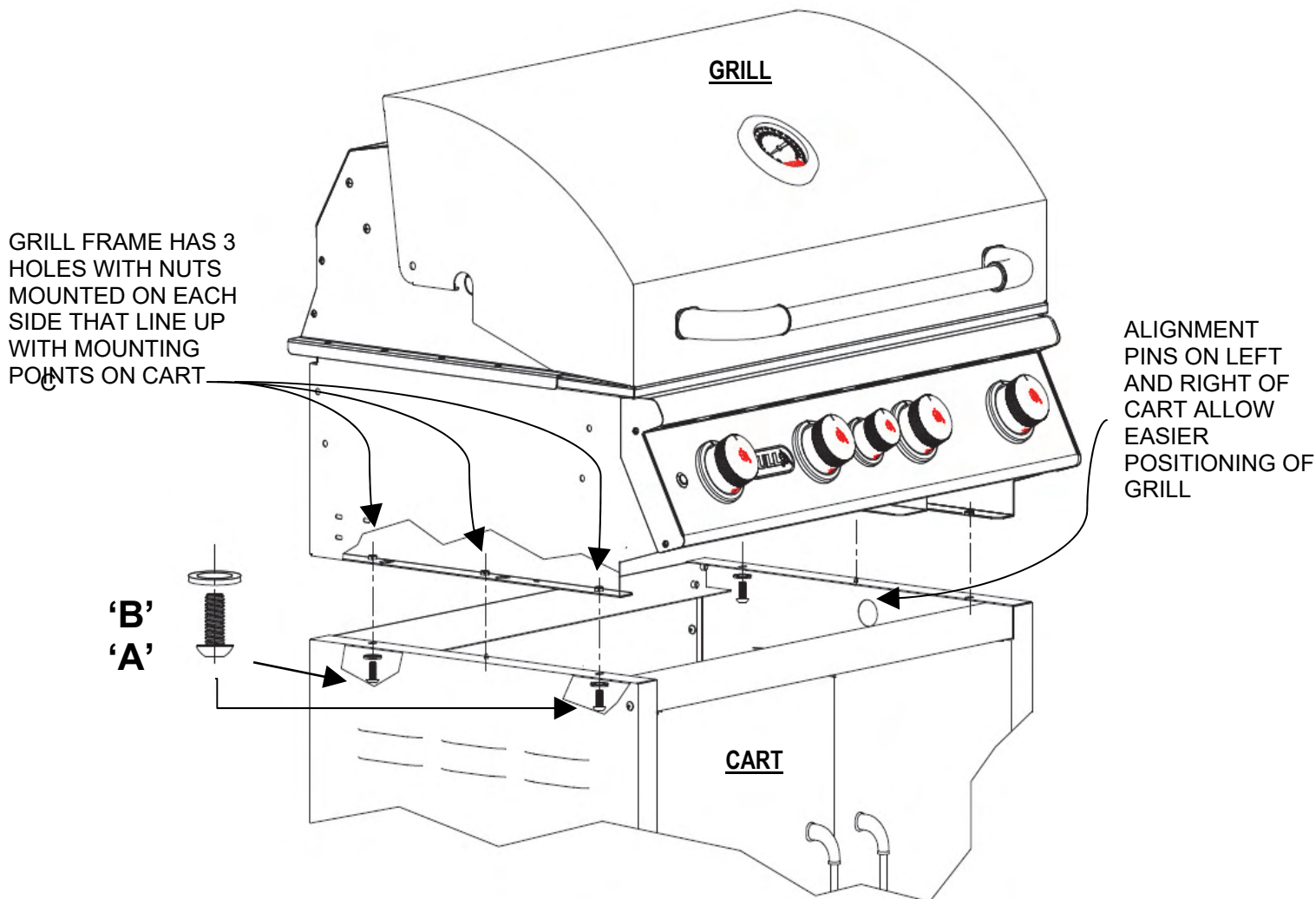
Per illustration below, there are 3 mounting points on each of the left and right sides between grill on cart.

On the cart, each side has a 2 clearance holes for the provided fasteners to bolt the grill on. In between those mounting holes on the cart is an alignment pin that engages a clearance hole on the grill.

On the grill, the left and right side of the grill has 3 mounting holes that have nuts mounted already to ease screwing the grill to the cart. The middle hole on each side is where the cart alignment pin is positioned.

REMEMBER: Do not attempt to lift grill by yourself. (This step will require at least 2 people).

- Carefully place the grill head on the cart and to the slots on the grill attaching with fasteners 'A' and 'B'
- Note:** Initially, all the fasteners should only be 'finger tight'. Doing this makes assembly easier and reducing the chance of cross threading the screws. Failure to do so may cause irreparable damage to the assembly.
- Use Allen wrench 'F' to tighten down the fasteners, if using a torque wrench the suggested setting is 4.35 ft lbs./ 5 Nm
- Plug the light system cord from the grill into the transformer.





CART ASSEMBLY INSTRUCTIONS (CONTINUED)

INSTALLING THE SHELVES TO THE GRILL HEAD

The shelves and handles are already put together. You'll need the following to complete the shelf install:

- Both shelves that came with your cart
- 8 of fastener 'A' M5 x 12mm Long Hex Drive Button Head Screw 'A'
- 8 of washer 'B'
- Allen Wrench 'F'

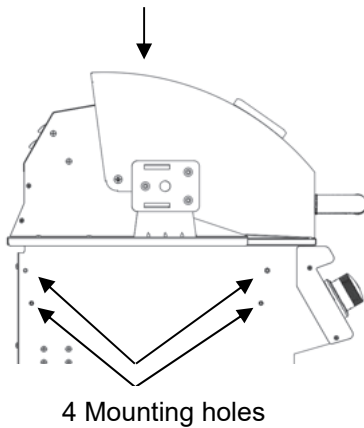
Per illustrations below, attach the shelves to grill where shown. The grill has threaded inserts to hold the shelf fasteners.

NOTE:

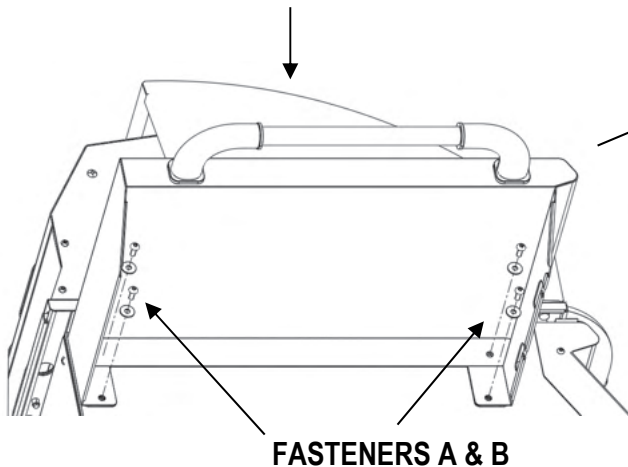
These shelves are not intended to lift the grill.

To prevent damage to cart do not attempt to use the shelves as way to lift the grill.

This side view below shows the location of the 4 mounting holes used to mount the shelves on each side of the grill.

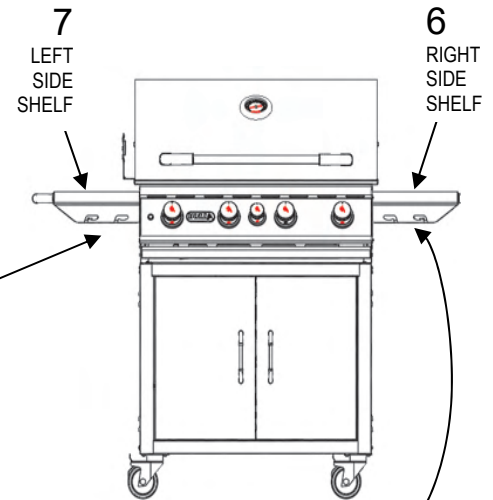


The view below shows the underside of a shelf and how the fasteners are used to mount the shelf to the grill



Use Allen Wrench 'F' and Fasteners 'A' and 'B' to attach the shelves. Note, Initially, all the fasteners should only be 'finger tight'. Doing this makes assembly easier and reducing the chance of cross threading the screws. Failure to do so may cause irreparable damage to the assembly. Use Allen wrench 'F' to tighten down the fasteners, if using a torque wrench the suggested setting is 4.35 ft lbs./ 5 Nm

Grill shown with shelves installed.



Note: Shelf notches used to hang cooking face equipment are to face the front of the grill.



Great job! Your grill cart assembly is now complete, and you can return the items you removed from the grill. Before using, please keep reading to understand all safety instructions in this manual and the manual included with your Grill before use.



LIQUID PROPANE (LP) SAFETY GUIDELINES

Your Propane gas grill is designed to operate on propane gas ONLY, at a pressure regulated at 11" water column (wc.) or 27.4 mbar when equipped with the correct propane orifices on the valves and a propane regulator on the supply line.

It is required that you only use an LP gas cylinder measuring 12 inches in diameter X 18 inches tall with a maximum capacity of 20 lb. In the United States, the LP gas cylinder must be constructed and marked in accordance with specifications of the US Department of Transportation for Propane Gas Cylinders.

- 1) Always keep LP gas cylinder securely fastened in an upright position.
- 2) Never connect an unregulated LP gas cylinder to the grill.
- 3) Do not subject LP gas cylinders to excessive heat.
- 4) Do not fill LP gas cylinder beyond 80% full.

CAUTION: NEVER STORE LP GAS CYLINDERS INSIDE A BUILDING, GARAGE OR IN THE VICINITY OF ANY GAS-BURNING APPLIANCE.

DANGER! IF YOU SMELL GAS, FOLLOW THE GUIDELINES BELOW:

- 1) Visually check burner flame status, and pilot burner flame if provided.
- 2) NEVER test for gas leaks with a lighted match or open flame.
- 3) Shut off gas source to the appliance.
- 4) Extinguish any open flame.
- 5) Open grill lid to release any accumulation of fumes.
- 6) If gas odor persists, immediately contact your gas supplier or your fire department.

CHECKING FOR GAS LEAKS

NEVER TEST FOR GAS LEAKS WHILE THE GRILL IS LIT!

It is a must that you use the steps below to check for leaks on LP Gas Grills prior to first use, start of a new BBQ season and whenever the gas cylinder is changed on LP Gas Grills.

- 1) Turn off heat control valve(s), and then turn on gas at source.
- 2) Make a soap solution by mixing one-part liquid detergent and one-part water.
- 3) Apply the soap solution to all gas connections: If air bubbles appear in the soap solution it means the connections are not properly sealed and need to be tightened or repaired as needed.
- 4) If you have a gas leak that you cannot repair, turn off the gas at the source, disconnect fuel line from the grill and immediately call your grill dealer and gas supplier for professional assistance.

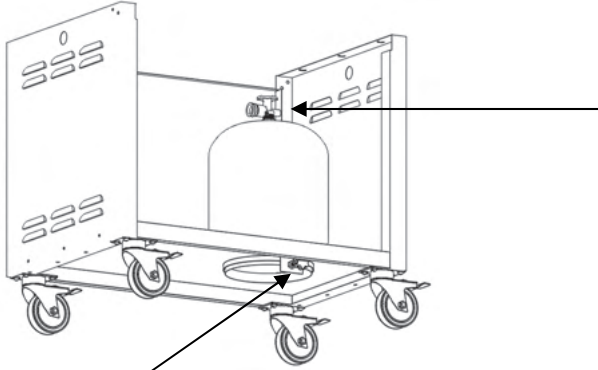
WARNING: If these guidelines are not followed, fire causing serious injury or death may occur.



LIQUID PROPANE (LP) 'TANK' CYLINDER INSTALL AND CONNECTION INSTRUCTIONS

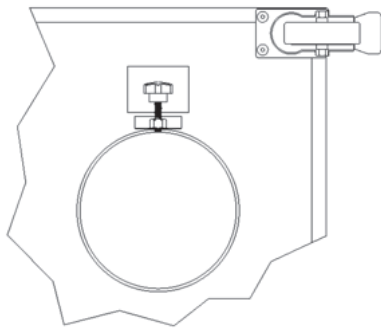


LP Tank Install to Grill Cart Instructions:



Your Cart uses a retainer to secure your tank in place.

- 1) Remove the cover for the hole that holds the tank (save the cover for future use)
- 2) Turn the retainer knob counterclockwise to make sure the retainer end is outside the opening where the tank will sit.
- 3) Place tank in cart opening with the tank cylinder valve is facing to the right as shown.
- 4) Your Grill Cart secures the LP Tank with a retainer you will need to tighten enough to lightly press on the Tank



- WARNING!**
- 1) Do not store spare LP gas cylinders under or near this appliance.
 - 2) Do not fill LP gas cylinder beyond 80% full.

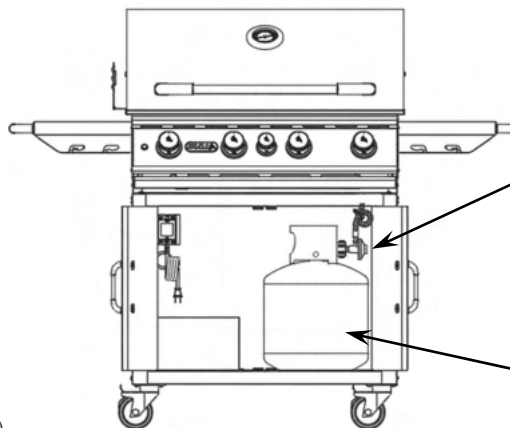
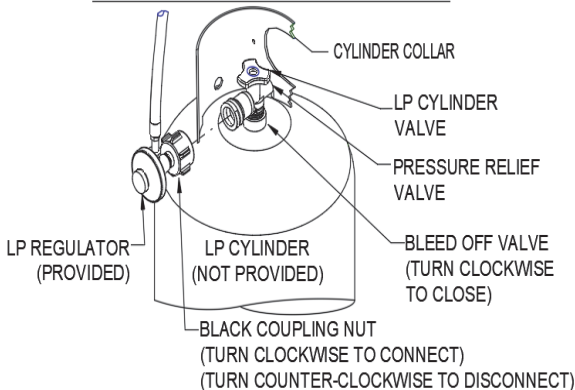


If warning notice 1 & 2 are not followed exactly as written a fire causing death or serious injury may occur

CAUTION: Do not change gas tanks near any source of ignition.

- 3) LP Gas Tank must be identified in accordance with The Specifications for LP Gas Cylinders, Spheres and Tubes for Transportation of Dangerous Goods and Commission, CAN/CSA- B339, as applicable
- 4) LP Gas Tank connection device is compatible with outdoor cooking appliances.
- 5) LP Gas Tank has appropriate vapor withdrawal.
- 6) LP Gas Tank must have a listed overfilling prevention device. See illustration below for instructions 7-11
- 7) LP Gas Tank must include a collar to protect the cylinder valve.
- 8) LP Gas Tank uses a type 1 tank valve that must be firmly secured in an upright position.
- 9) LP Gas pressure regulator and 31" inch hose assembly (Bull Part # 16589) are supplied and must be used without alteration and should only be used on your Bull Grill Cart.
- 10) If the hose assembly needs replacement, refer to illustration below or your Bull Grill manual for part number info.
- 11) To connect, turn the black coupling nut of the hose and regulator assembly in a clockwise direction (see illustration below) until completely threaded onto the cylinder valve before turning gas supply on. To remove turn the black coupling nut of the hose and regulator assembly in a counter-clockwise direction.

UNITED STATES LP TANK CONNECTION

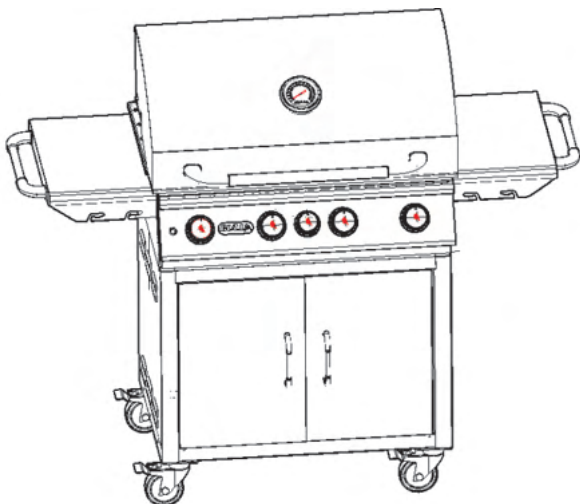


SST FLEX HOSE PART # 16598 AND FITTING PART # 47006 FOR CONNECTION GRILL SUPPLIED BY BULL. LP REGULATOR WITH SST BRAIDED HOSE LINE PART # 16589 WITH ATTACHED LP HOSE CLIP PART # 48094 SUPPLIED BY BULL

LP TANK CYLINDER (NOT SUPPLIED BY BULL)



(LP) GRILL OPERATING INSTRUCTIONS

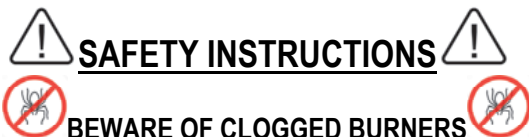


WARNING! FOR YOUR SAFETY

FOLLOW THE GUIDELINES BELOW:

- ⚠ **PLEASE NOTE: YOUR GAS GRILL CART IS ONLY FOR OUTDOOR USE**
- ⚠ **PROTECT CHILDREN: DO NOT ALLOW CHILDREN TO OPERATE GRILL.** Keep them away from the grill during use, and until the grill has cooled completely.
- ⚠ **DO NOT** use your gas grill in enclosed areas, i.e. garages, porches, breezeways, sheds.
- ⚠ **DO NOT** place grill under or on top of any surface that will burn.
- ⚠ **DO NOT** allow obstruction to the flow of combustion and ventilation air around the grill housing.
- ⚠ Grill clearance from the back and side of any combustible surface must be at least 21 inches
- ⚠ **DO NOT** store or use gasoline, or other liquids emitting flammable vapors in the vicinity of grill or any other appliances.
- ⚠ **DO NOT** store empty or full spare LP gas cylinders and/or chemicals under or near grill or any other appliances.
- ⚠ Keep the fuel hose and electrical cord away from hot surfaces and dripping grease.
- ⚠ Check and clean burner venturi tubes for insects and debris. A clogged tube can lead to a fire beneath the grill. Keep the vent openings of the cylinder enclosure free and clear from debris.
- ⚠ Clean outdoor cooking gas appliance with recommended cleaning agents.
- ⚠ **NEVER** light grill with lid closed or before checking to ensure burner tubes are fully seated over gas valve orifices.
- ⚠ **NEVER** lean over cooking surface while lighting grill. Use barbecue tools with wood handles and good quality insulated oven mitts when operating grill.
- ⚠ Visually inspect the LP hose prior to each use for cuts, cracks, excessive wear or other damage and replace if necessary.

NEVER PLACE UTENSILS ON TOP GRILL LID



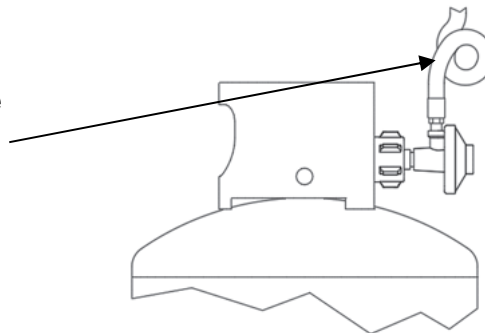
SAFETY INSTRUCTIONS

BEWARE OF CLOGGED BURNERS DUE TO SPIDER WEBS

**CAUTION: BURNERS MUST BE INSPECTED AND CLEANED
BEFORE FIRST USE**

Spiders and small insects occasionally spin webs or make nests in the burners during warehousing, transit and/or after long periods of non- use. These webs can lead to a gas flow obstruction, which could result in a fire in and around the burner venturi tubes. This type of fire is known as "FLASH-BACK" and can cause serious damage to your grill and create an unsafe operating condition for the user. Although an obstructed burner tube is not the only cause of "FLASH BACK" it is the most common cause, and frequent inspection and cleaning of the burners is necessary.

WARNING NEVER cover slots, holes or passage in the grill bottom or cover an entire cooking grate with material, i.e. aluminum foil. Doing so blocks air flow through the oven and may cause carbon monoxide poisoning. Aluminum foil linings may trap heat causing a fire hazard.





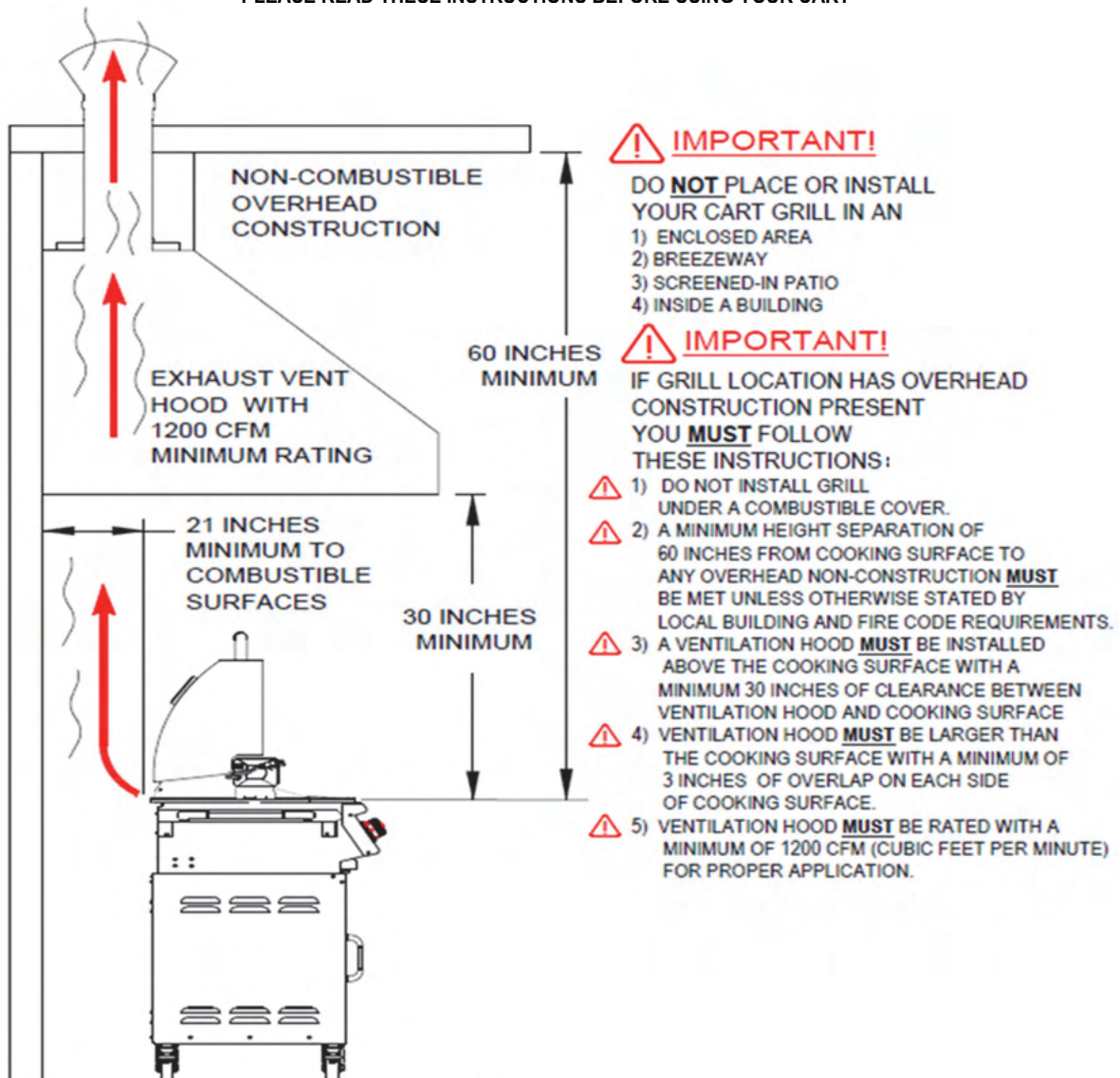
⚠ LIQUID PROPANE (LP) SAFETY GUIDELINES WHEN OUTDOOR COOKING GAS APPLIANCE IS NOT IN USE:

- 1) The LP gas must be turned off at the supply cylinder.
- 2) Do not store spare LP gas cylinders under or near this appliance.
- 3) Spare LP gas cylinders must be stored outside in an adequately ventilated area that is isolated from the grill.
- 4) Spare LP gas cylinders must be kept out of reach of children and must not be stored inside buildings or any other enclosed areas.
- 5) Storage of an outdoor cooking gas appliance indoors is permissible only if the cylinder is disconnected and removed from the outdoor cooking gas appliance
- 6) The LP gas cylinder must be equipped with an arrangement for vapor withdrawal.
- 7) The LP gas cylinder must include a collar to protect the cylinder valve.
- 8) Place dust cap on cylinder valve outlet whenever the cylinder is not in use. Only install the type of dust cap on the cylinder valve outlet that is provided with the cylinder valve. Other types of caps or plugs may result in leakage of propane.

WARNING: If these guidelines are not followed, fire causing serious injury or death may occur.

LOCATION AND VENTILATION GUIDELINES

PLEASE READ THESE INSTRUCTIONS BEFORE USING YOUR CART





CLEANING THE GRILL CART

First set the swivel casters wheels in the **locked position** to prevent the cart from moving and causing injury.

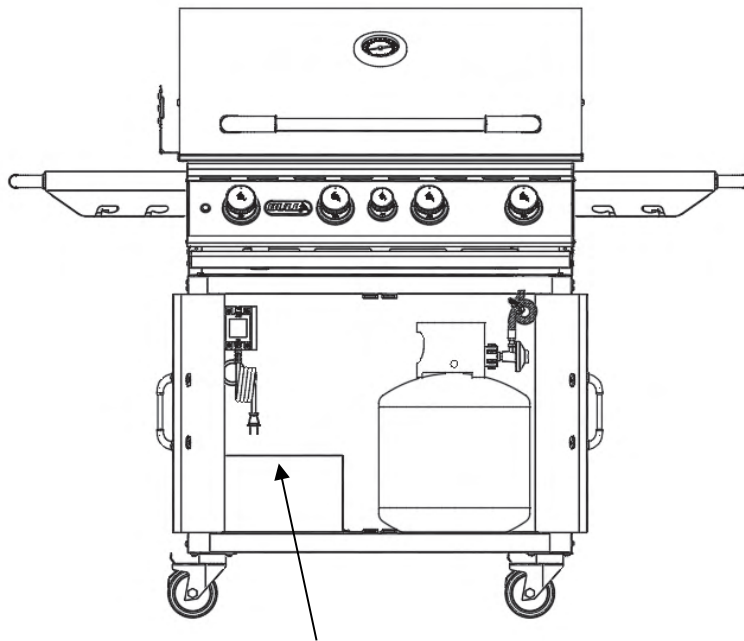
Next: Follow these steps for cleaning your grill cart:

- Make sure the grill head and cart are cool to the touch.
- Wipe down the cart with stainless steel cleaner.

STAINLESS STEEL CLEANING AND MAINTENANCE

Stainless steel is a corrosion resistant chromium/nickel alloy steel that is both durable as well as strong with an outstanding luster. The goal of your cleaning and maintenance routine should be to keep the stainless steel's protective chromium oxide layer intact. This is what prevents corrosion. Contrary to popular belief, stainless steel is NOT rustproof, especially in the environment of a swimming pool. Chlorine, bromine, some fertilizers and other elements are extremely caustic chemicals for stainless steel. These chemicals combined with heat and humidity can increase the corrosiveness of these chemicals. Regular cleaning is the best way to prevent corrosion and add years of enjoyment to your Bull stainless steel products.

WARNING! Do not remove the pantry shelf to store a second tank in your cart could cause serious injury.



Pantry Shelf