



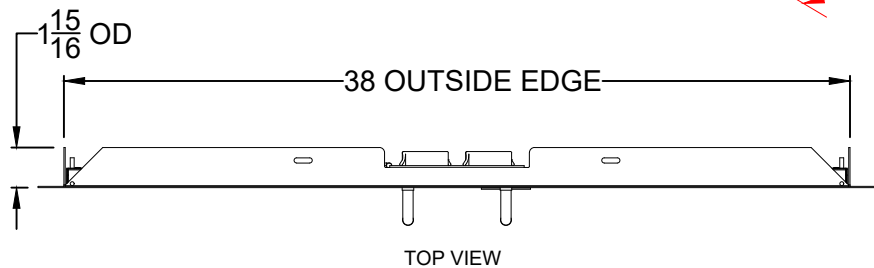
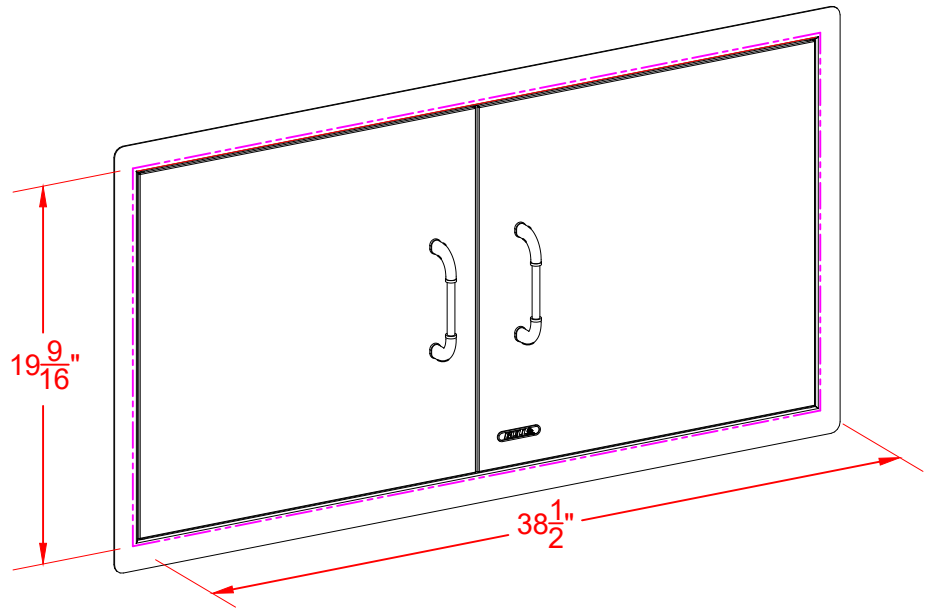
REPLACEMENT PARTS LIST			
DWG ITEM #	PART #	DESCRIPTION	QTY
1	16572	DOOR HANDLE	2
2	16515	HANDLE SET SCREW	2 SETS
3	16548	DOOR MAGNET	4

SPEC SHEET OUTLINE

ITEM # 34000

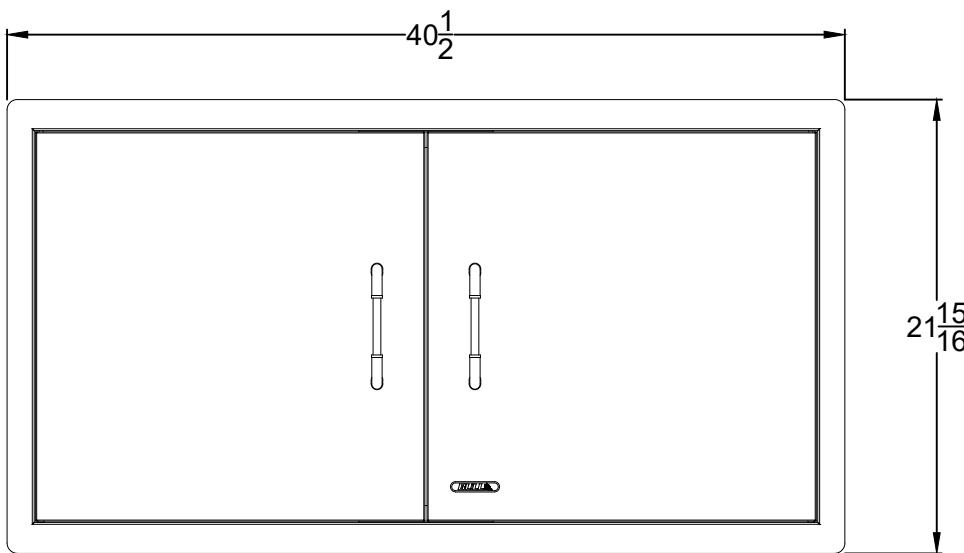
DESCRIPTION -

38" DOUBLE DOORS

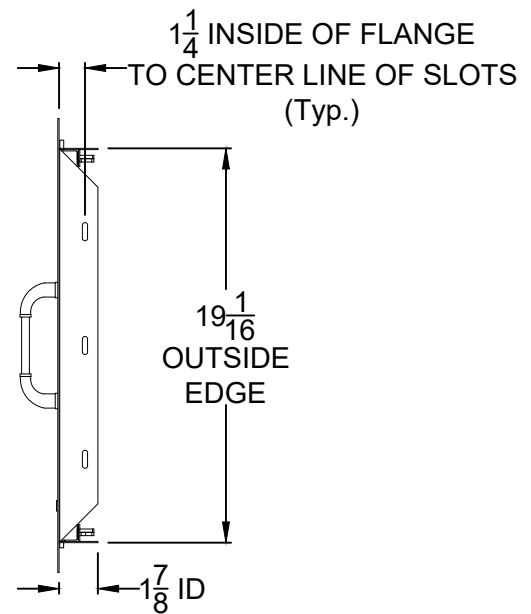


TOP VIEW

**PERSPECTIVE VIEW
WITH INSTALLATION
CUT OUT DIMENSIONS**



FRONT VIEW



RIGHT SIDE VIEW

NOTES:

- 1) ALL DIMENSIONS ARE IN INCH UNITS
- 2) REFER TO PERSPECTIVE VIEW FOR INSTALLATION CUTOUT DIMENSIONS.
- 3) REFER TO TOP OF PAGE FOR PART INFORMATION
- 4) PAGES 2 - 4 FOR WARRANTY POLICY