



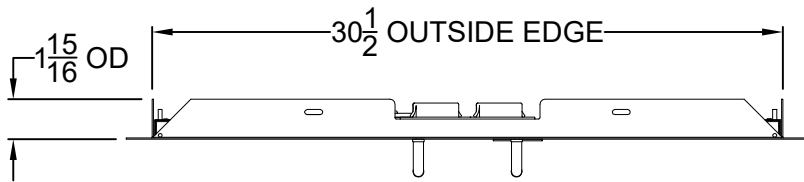
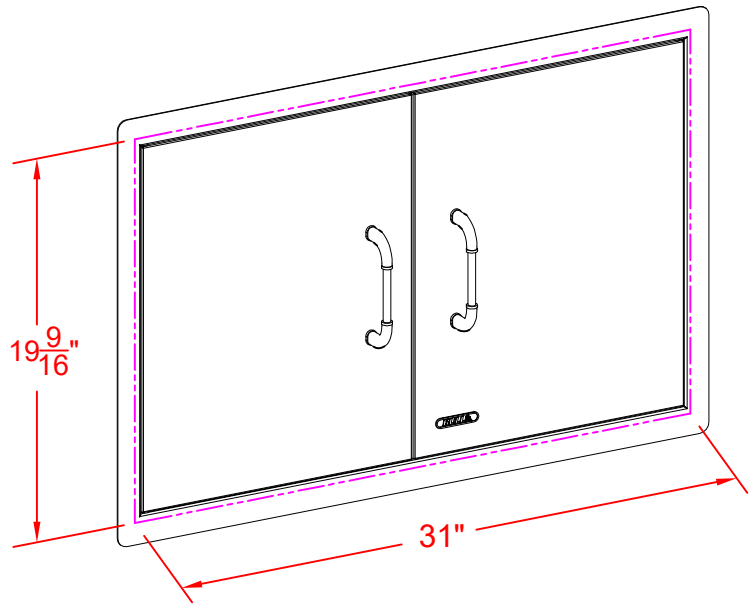
REPLACEMENT PARTS LIST			
DWG ITEM #	PART #	DESCRIPTION	QTY
1	55524	SS DOOR HANDLE	2
2	16515	HANDLE SET SCREW	2 SETS
3	16548	DOOR MAGNET	4

**SPEC SHEET OUTLINE**

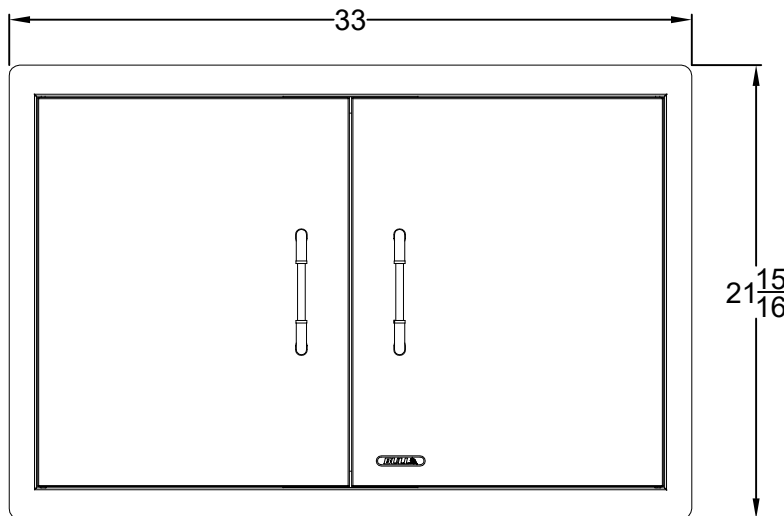
ITEM # 33568

DESCRIPTION -

30" DOUBLE DOORS



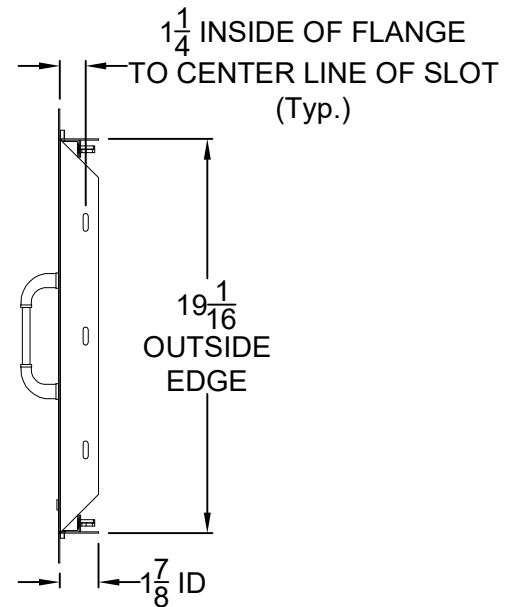
TOP VIEW



FRONT VIEW

**PERSPECTIVE VIEW**

WITH INSTALLATION  
CUT OUT DIMENSIONS



RIGHT SIDE VIEW

**NOTES:**

- 1) ALL DIMENSIONS ARE IN INCH UNITS
- 2) REFER TO PERSPECTIVE VIEW FOR INSTALLATION CUTOUT DIMENSIONS.
- 3) REFER TO TOP OF PAGE FOR PART INFORMATION
- 4) PAGES 2 - 4 FOR WARRANTY POLICY