



# **POWER BURNER**

---

**PBE1 Models**

**INSTALLATION GUIDE**

**US CA**

**⚠ DANGER****IF YOU SMELL GAS**

- **Shut off gas to the appliance.**
- **Extinguish any open flame.**
- **Open lid.**
- **If odor continues, keep away from the appliance and immediately call your gas supplier or your fire department.**

**⚠ WARNING**

- **Do not store or use gasoline or other flammable liquids or vapors in the vicinity of this or any other appliance.**
- **An LP cylinder not connected for use must not be stored in the vicinity of this or any other appliance.**

**⚠ WARNING!****Electric Shock Hazard**

**Failure to follow this advice may result in electric shock or death.**

- This appliance is equipped with a three-prong or four-prong grounding plug for your protection against shock hazard and should be plugged directly into a properly grounded power outlet.
- Never remove the grounding plug or use with a 2 prong adapter.
- Use only extension cords with a 3 prong grounding plug, rated for the power of the equipment, and approved for outdoor use with a W-A marking.
- Do not immerse cord or plugs in water or other liquid.

**⚠ WARNING!****Fire Hazard**

**Failure to follow this advice may result in a fire causing death or serious injury.**

- This unit is for outdoor use only. Do not operate under unprotected combustible construction. Do not use in buildings, garages, sheds, breezeways, covered structures or other such enclosed areas.
- Never store a spare LP cylinder under or near this unit.
- Do not fill the gas tank more than 80% of its total capacity.
- Do not use aluminium foil to line drip pans, trivets or radiant trays. This can interfere with combustion, air flow or trap excessive heat in the control area. The result of this can be melted dials or damaged ignition components.

**⚠ WARNING!****Hot Surface Hazard**

Failure to follow this advice may result in fire, burns, scalds or personal injury.

- Accessible parts may become hot during use.
- When in use, do not touch the burner, trivet, or immediate surrounding area as these areas become extremely hot. Clean the with caution.
- Never let clothing or other flammable materials come in contact with or get too close to any trivet, burner or hot surface until it has cooled.
- Never lean over an open unit. When lighting a burner, always pay close attention to what you are doing. Be certain you are pushing the burner dial when you attempt to light.
- Never operate the unit without a drip tray. Let hot grease cool before attempting to handle it. Avoid letting grease deposits collect in the drip pan.
- Ensure all controls are turned off and the unit is cool before using any type of aerosol cleaner on or around the product. The chemical that produces the spraying action could, in the presence of heat, ignite or cause metal to corrode
- Keep any electrical supply cord and the fuel supply hose away from any heated surfaces.

**⚠ WARNING!****Explosion Hazard**

Failure to follow this advice may result in injury or death



- If you smell gas, do not use the appliance.
- Do not use water on grease fires, a violent steam explosion may result. Turn all burners off, then smother fire or flame or use dry chemical or foam-type extinguisher.
- Do not heat unopened food containers such as cans – build up of pressure may cause container to burst and result in injury.

**WARNING!**

To reduce the risk of fire, injury to persons or damage when using the appliance, follow the important safety instructions listed below. Read all the guidance before using the appliance. Do not use an outdoor cooking gas appliance for purposes other than intended.

**Servicing**

- Do not repair or replace any part of the appliance unless specifically recommended in the user guide. All other servicing should be undertaken by a Fisher & Paykel trained and supported service technician or qualified person.
- Only use the product with the type of gas specified on the rating plate.

**Fire Hazard**

- Use only in well ventilated areas.
- Never leave the product unattended when in use.
- Always remove the cover before lighting. Do not replace cover during cooking or before appliance has cooled.
- Do not use a flame to check for gas leaks.
- Do not attempt to disconnect any gas connections while your appliance is in use or the gas supply is on.
- Never connect an unregulated gas line to the appliance.
- Have an ABC rated Fire Extinguisher accessible – never attempt to extinguish a grease fire with water or other liquids.

**Storage**

- When not in use, ensure the gas supply is turned off at the supply cylinder.
- Keep appliance covered when not in use
- Storage of the appliance indoors is permissible only if the cylinder is disconnected and removed from the unit.
- Cylinders must be stored outdoors, out of reach of children and must not be stored in a building, garage, or any other enclosed area.

## SAFETY AND WARNINGS

---

- Do not store a full LP tank in direct sunlight.
- After a period of storage or non-use, the appliance should be checked for gas leaks, deterioration, proper assembly, and burner obstructions before use.

### General Use

- This appliance is not intended to be installed in or on recreational vehicles, trailers or boats.
- After lighting burners, ensure they are operating correctly.
- When using the appliance, be sure that all parts of the unit are firmly in place and that everything is stable.
- Do not move the appliance during use.
- Children should not be left alone or unattended in an area where the product is being used. Never allow them to sit, stand or play on or around the unit at any time.
- Do not store items of interest to children around or below the appliance.
- Never use the appliance in a windy area.
- To put out flare-ups, adjust the controls to lower the temperature.
- Do not obstruct the flow of combustion and ventilation to the appliance.
- Spiders and insects can nest in the burners or openings and can block or restrict the burner. This can cause a flash back to the control panel which can cause a fire.
- Do not try lighting this appliance without reading the lighting instruction in the user guide.
- Do not locate, store or operate the appliance on a slope.
- This product must be installed by a licensed plumber or gas fitter when installed within the Commonwealth of Massachusetts.
- Never use a dented or rusty LP tank. Keep the ventilation openings of the cylinder enclosure free and clear from debris.
- Before each use, inspect the gas supply piping or hose prior to turning the gas ON. If there is evidence of cuts, wear, or abrasion, it must be replaced prior to use. The pressure regulator and hose assembly supplied with the unit must be used. If replacements are needed, contact customer care at [www.dcsappliances.com](http://www.dcsappliances.com)
- Clean and perform general maintenance on the appliance regularly. Watch for corrosion, cracks, or insect activity. Check the regulator, hoses, burner ports, air shutter, and venturi/valve section carefully. Always turn off gas at the source prior to inspecting.
- You must inspect the unit at least once a year or immediately if the smell of gas is present in conjunction with the burner flames appearing yellow, the appliance does not reach temperature or heats unevenly or the unit makes popping noises.
- Do not smoke while leak testing and extinguish all open flames.
- When cleaning the burners centre the burner onto the orifice correctly and ensure they are level before lighting to prevent fire hazard or explosion. Refer to the user guide for detailed guidance.
- Use only a Ground Fault Interrupter (GFI) protected circuit with this outdoor cooking gas appliance.
- Unplug from the outlet when not in use and before cleaning. Allow to cool before putting on or taking off parts.
- Do not operate the appliance with a damaged cord, plug, or after the appliance malfunctions or has been damaged in any manner. Contact the manufacturer for repair.
- Do not let the cord hang over the edge of a table or touch hot surfaces.
- When connecting, first connect plug to the appliance then plug appliance into the outlet.
- Do not place the unit directly on the ground or other surface without support. This will prevent damage to the regulator/hose assembly.

### Gas requirements

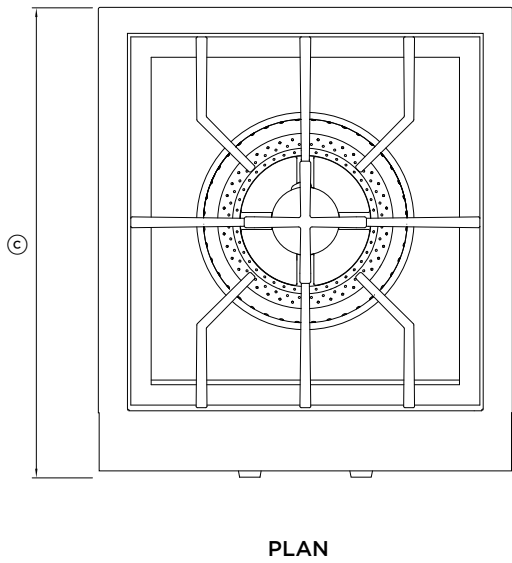
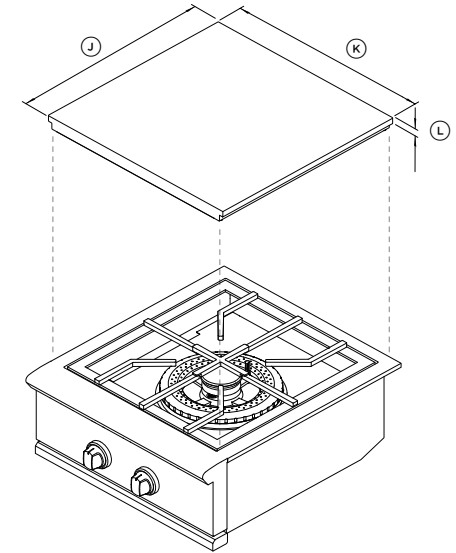
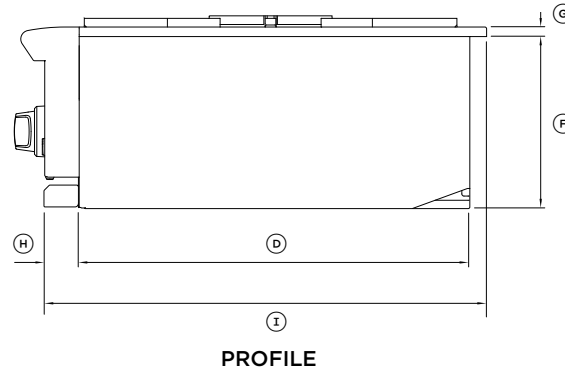
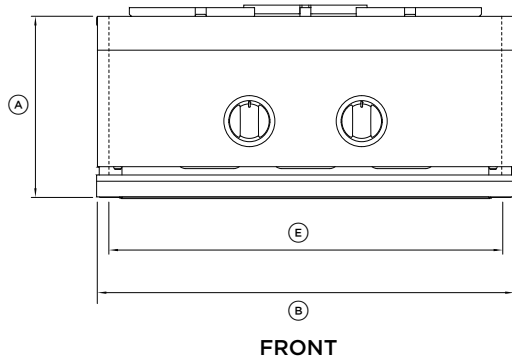
- This appliance can be used with any brand of 20lb LP gas tank provided it is compatible with a proper retention device (not supplied).
- This appliance is set for use with either LP or NG, decided at the point of purchase.
- The LP gas cylinder must be:
  - Designed for use with a Type 1 system only.
  - Constructed and marked in accordance with the Specifications for LP gas Cylinders of the U.S. Department of Transportation (D.O.T.) or the Standard for Cylinders, Spheres and Tubes for Transportation of Dangerous Goods and Commission, CAN/CSA-B339
  - Provided with a listed overfilling prevention device.
  - Provided with a cylinder connection device compatible with the connection for outdoor cooking gas appliances
- The cylinder must be provided with a shut-off valve terminating in an LP gas supply cylinder valve outlet specified, as applicable, for connection Type 1.
- Do not change the regulator/hose assembly from that supplied with the unit or attempt to use a Type 1 equipped regulator/hose assembly with a standard 510 POL tank/valve assembly.
- Never use a cylinder with a damaged valve. The cylinder that is used must have a collar to protect the cylinder valve.
- An installer-supplied gas shut-off valve must be installed in an easily accessible location
- All installer supplied parts must conform to local codes, or in the absence of local codes, with the National Electrical Code, ANSI/NFPA 70 or the Canadian Electrical Code, CSA C22.1, and the National Fuel Gas Code, ANSI Z223.1 or CSA-B149.1 Natural Gas Installation Code or CSA-B149.2 Propane Installation Code.
- In Massachusetts such shut-off valves should be approved by the Board of State Examiners or Plumbers & Gas Fitters.
- All pipe sealants must be an approved type and resistant to the actions of LP gases. Never use pipe sealant on flare fittings.
- A dented or rusty LP tank may be hazardous and should be checked by your LP supplier.
- Always check for leaks after every LP tank change.
- For LP units, check for leaks with a full cylinder.
- Do not use the appliance until all connections have been checked and do not leak.

---

### SAVE THESE INSTRUCTIONS

The models shown in this installation guide may not be available in all markets and are subject to change at any time. For current details about model and specification availability in your country, please visit our website [dcsappliances.com](http://dcsappliances.com) or contact your local DCS dealer.

## PRODUCT DIMENSIONS



### PRODUCT DIMENSIONS

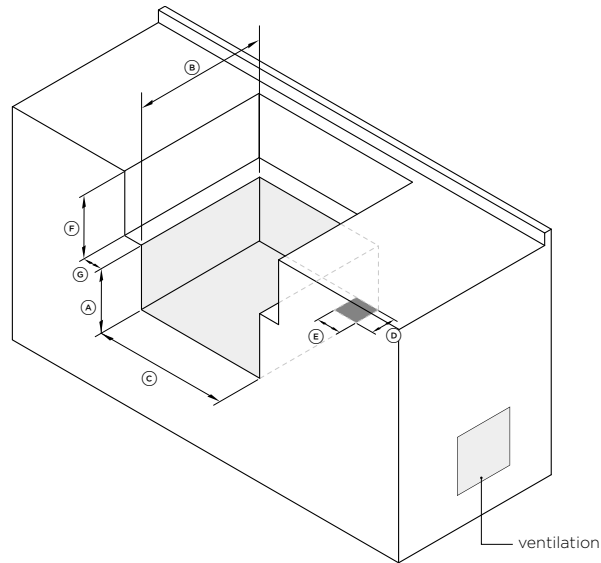
#### PBE1 MODELS

	INCHES	MM
Ⓐ Overall height (excluding burners and pan supports)	10 1/2	266
Ⓑ Overall width	24	610
Ⓒ Overall depth (excluding dials)	26 7/8	683
Ⓓ Depth of chassis	22 1/2	572
Ⓔ Width of chassis (including support brackets)	21 3/4	552
Ⓕ Height below countertop	10 1/8	257
Ⓖ Height of surface above countertop	9/16	14
Ⓗ Depth of control panel to front of chassis	2	51
Ⓘ Depth from control panel to rear of product	25 9/16	649
Ⓙ Depth of lid	23	585
Ⓚ Width of lid	23 5/8	600
Ⓛ Height of lid	1 11/16	43

## BUILT-IN CONSTRUCTION

As the power burner is designed for larger cookware, it is recommended that the product is mounted 6-12" below the countertop. Sufficient space should also be left around the product for safe cookware handling.

### RECESSED CUTOUT



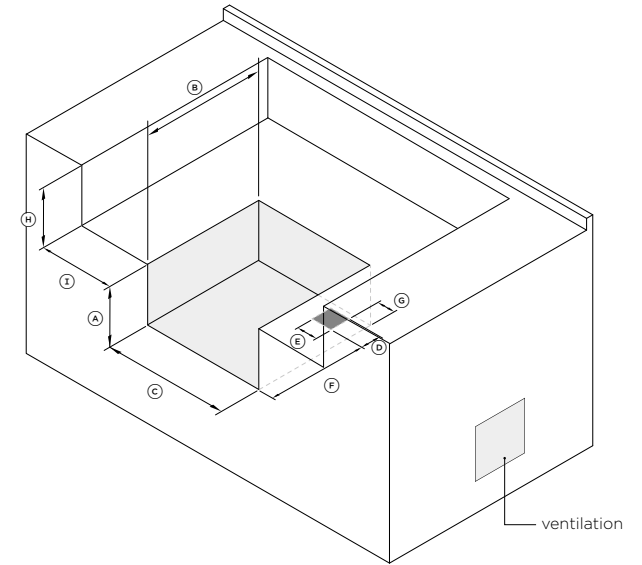
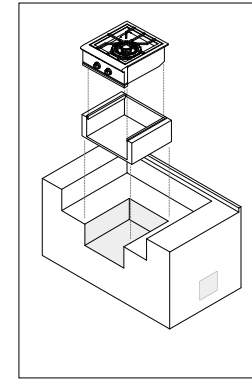
CAVITY DIMENSIONS	PBE1 MODELS	
	INCHES	MM
Ⓐ Height of cutout	10 1/8	257
Ⓑ Depth of cutout	22 3/4	578
Ⓒ Width of cutout	22 1/2	572
Ⓓ Depth of gas supply opening	4	102
Ⓔ Width of gas supply opening	4 15/16	125
Ⓕ Height of countertop recess	6-12	152 - 305
Ⓖ Minimum distance from countertop recess to cutout	3	76

#### Notes:

- When determining a suitable location, take into account concerns such as exposure to wind, proximity to traffic paths, and keeping any gas supply lines as short as possible.
- Locate the unit in a well-ventilated area.
- The counter and supporting ledges or deck must be level and flat.
- The enclosure should have ventilation holes to prevent gas build-up in the event of a leak. Refer to ANSI Z21.58 Standard for Outdoor Cooking Gas Appliances, Section 1.7 Enclosures For Self Contained LP-Gas Supply Systems.

### RECESSED INSULATED JACKET CUTOUT

If the unit is to be placed into a combustible enclosure, an insulated jacket is required.



CUTOUT DIMENSIONS	PBE1 MODELS	
	INCHES	MM
Ⓐ Height of cutout	11 1/8	283
Ⓑ Depth of cutout	23 3/4	603
Ⓒ Width of cutout	28 7/8	734
Ⓓ Depth of gas supply opening	4	102
Ⓔ Width of gas supply opening	4	102
Ⓕ Depth to gas supply opening from front of cutout	18 1/2	470
Ⓖ Width to gas supply opening from side of cutout	3 1/2	89
Ⓕ Height of countertop recess	6-12	152 - 305
Ⓖ Minimum distance from countertop recess to cutout	18	457

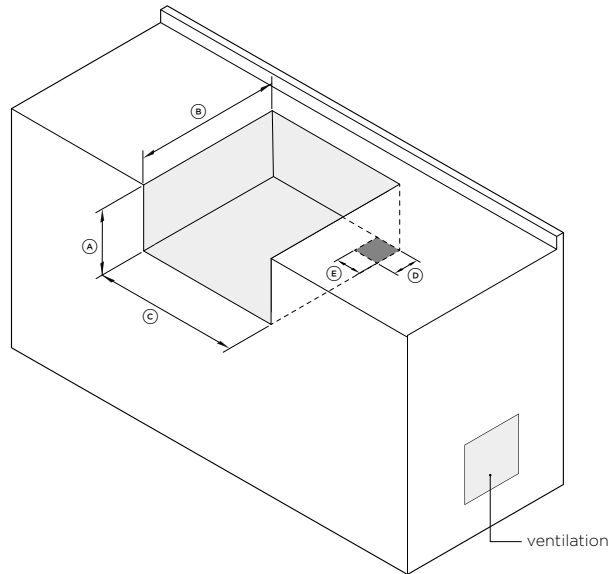
#### Notes:

- To purchase access doors and drawers, visit [dcsappliances.com](http://dcsappliances.com)
- **24" access doors model number:** ADNI-20x24
- **24" access drawers model number:** ADR2-20x24

## BUILT-IN CONSTRUCTION

As the power burner is designed for larger cookware, sufficient space should be left around the product for safe handling.

### COUNTER TOP LEVEL CUTOUT



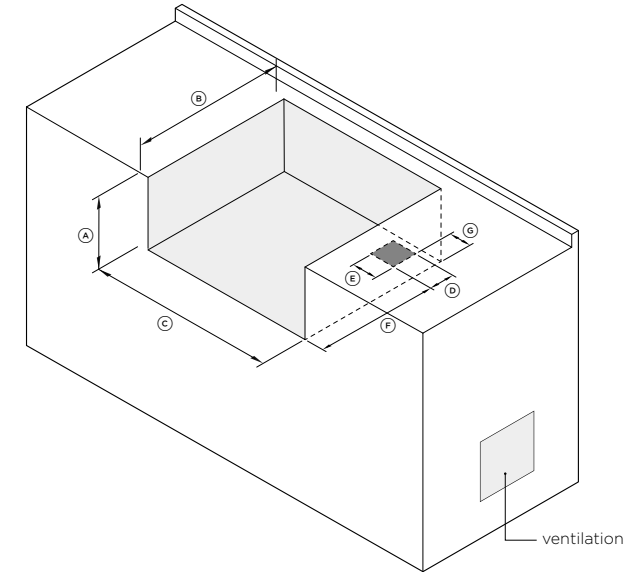
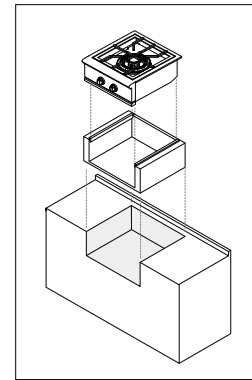
CAVITY DIMENSIONS	PBE1 MODELS	
	INCHES	MM
Ⓐ Height of cutout	10 1/8	257
Ⓑ Depth of cutout	22 3/4	578
Ⓒ Width of cutout	22 1/2	572
Ⓓ Depth of gas supply opening	4	102
Ⓔ Width of gas supply opening	4 15/16	125

**Notes:**

- When determining a suitable location, take into account concerns such as exposure to wind, proximity to traffic paths, and keeping any gas supply lines as short as possible.
- Locate the unit in a well-ventilated area.
- The counter and supporting ledges or deck must be level and flat.
- The enclosure should have ventilation holes to prevent gas build-up in the event of a leak. Refer to ANSI Z21.58 Standard for Outdoor Cooking Gas Appliances, Section 1.7 Enclosures For Self Contained LP-Gas Supply Systems.

### COUNTER TOP LEVEL INSULATED JACKET CUTOUT

If the unit is to be placed into a combustible enclosure, an insulated jacket is required.



CUTOUT DIMENSIONS	PBE1 MODELS	
	INCHES	MM
Ⓐ Height of cutout	11 1/8	283
Ⓑ Depth of cutout	23 3/4	603
Ⓒ Width of cutout	28 7/8	734
Ⓓ Depth of gas supply opening	4	102
Ⓔ Width of gas supply opening	4	102
Ⓕ Depth to gas supply opening from front of cutout	18 1/2	470
Ⓖ Width to gas supply opening from side of cutout	3 1/2	89

**Notes:**

- To purchase access doors and drawers, visit [dcsappliances.com](http://dcsappliances.com)
- **24" access doors model number:** ADN1-20x24
- **24" access drawers model number:** ADR2-20x24

## BUILT-IN CLEARANCES

### Clearances to non-combustible construction

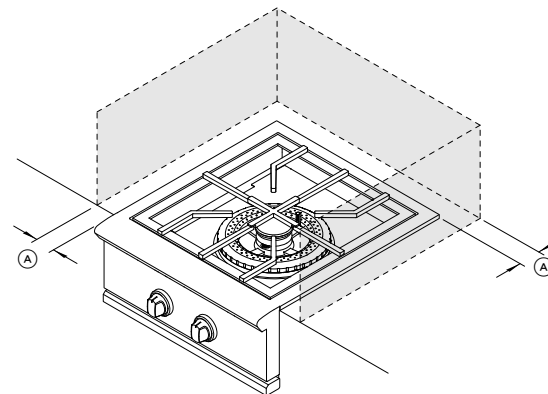
Material which is not capable of being ignited and burned, such as materials consisting entirely of, or a combination of, steel, iron, brick tile, concrete, slate, and plaster.

The power burner is designed for easy placement into built-in masonry enclosures. For non-combustible applications the power burner drops into the opening and hangs from its side flanges. A deck is not required to support it from the bottom.

**Do not use this appliance under unprotected overhead combustible surfaces.**

Fisher & Paykel recommends installing the manual shut-off valve in a location readily accessible by the customer, so that gas to the appliance can be shut off in an emergency situation. However, the appliance must not be modified in any way to accommodate such placement.

A spirit level should be used to ensure that the unit is level both front-to-back and side-to-side. If it is not level, burner combustion may be erratic or the unit may not function efficiently for grease flow.



### CLEARANCE DIMENSIONS

### PBE1 MODELS

	INCHES	MM
Ⓐ Minimum distance from non-combustible surface to power burner (above the cook surface)	3	76



## BUILT-IN CLEARANCES

### Clearances to combustible construction

Any materials of a building structure or decorative structure made of wood, compressed paper, plant fibres, vinyl/plastic or other materials that are capable of transferring heat or being ignited and burned. Such material shall be considered combustible even though flame-proofed, fire-retardant treated or surface-painted, or plastered.

**Do not use this appliance under unprotected overhead combustible surfaces.**

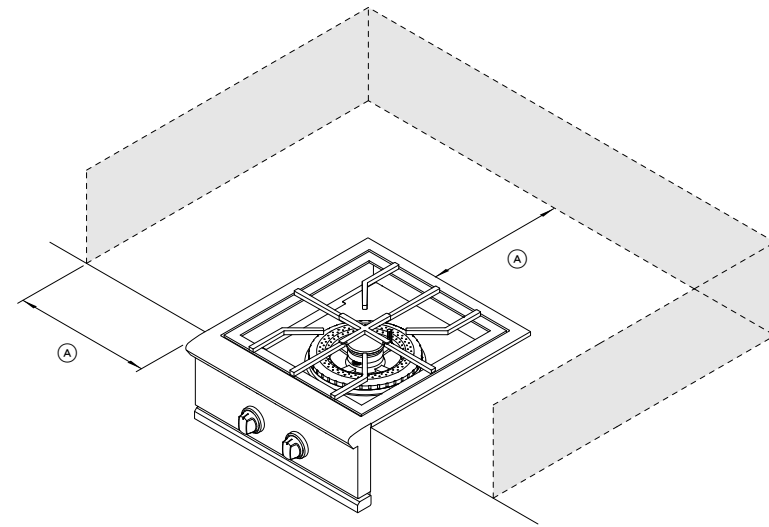
Fisher & Paykel recommends installing the manual shut-off valve in a location readily accessible by the customer, so that gas to the appliance can be shut off in an emergency situation. However, the appliance must not be modified in any way to accommodate such placement.

A spirit level should be used to ensure that the unit is level both front-to-back and side-to-side. If it is not level, burner combustion may be erratic or the unit may not function efficiently for grease flow.

### Insulated jacket

If the power burner is to be placed into a combustible enclosure, an approved insulated jacket is necessary. Insulated jackets are available from your dealer. Use only the DCS insulated jacket which has specifically been designed and tested for this purpose. Review the detail drawing shown and take into account the provisions shown for gas line connection clearance in the right rear corner. It is required that ventilation holes are provided in the enclosure to eliminate the potential build-up of gas in the event of a gas leak. The supporting ledges or deck must be level and flat and strong enough to support the power burner and insulated jacket. The counter should also be level.

**24" insulated jacket part number: 71426**



### CLEARANCE DIMENSIONS

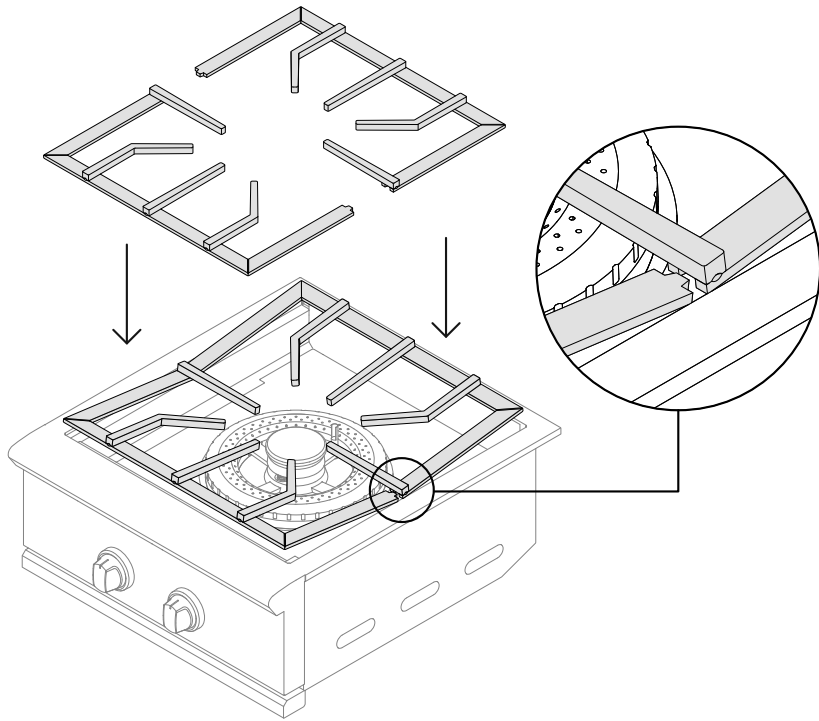
Ⓐ Minimum distance from combustible surface to power burner (above the cook surface)

### PBE1-30 MODELS

INCHES	MM
18	457

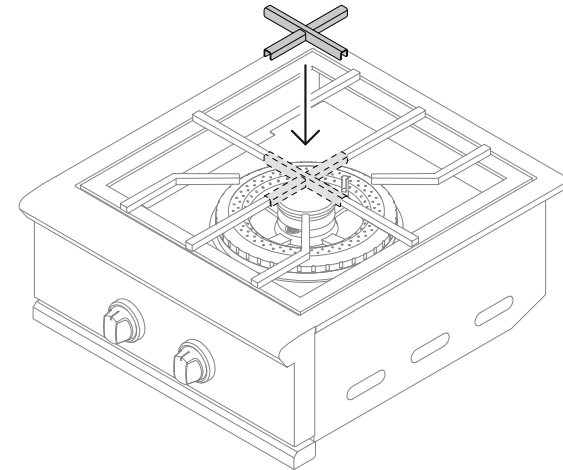
## TRIVET ASSEMBLY

### MAIN TRIVET



The main trivet assembly is made up of two halves that interlock to form the cooking surface. To install the trivets, position the feet onto the products ledge and slot the trivets together.

### SMALL POT SUPPORT



A small pot support is supplied with the Power Burner for cooking with pots smaller than 8". To install the pot support, slot onto the centre of the main trivet assembly as shown above.

## ELECTRICAL CONNECTION

All units are supplied with a 12V power transformer to operate the products ignition and dial illumination features. The transformer is sealed in a box with an attached power supply cord.

### Electrical requirements

**Use only a Ground Fault Interrupter (GFI) protected circuit with this product.**

An outdoor 120VAC 15A GFI electrical outlet should be installed by a qualified electrician either inside the island enclosure for built-in units, or near the location where a free-standing unit will be used. For built-in products, the supplied 12V transformer should be connected during installation.

### Installation

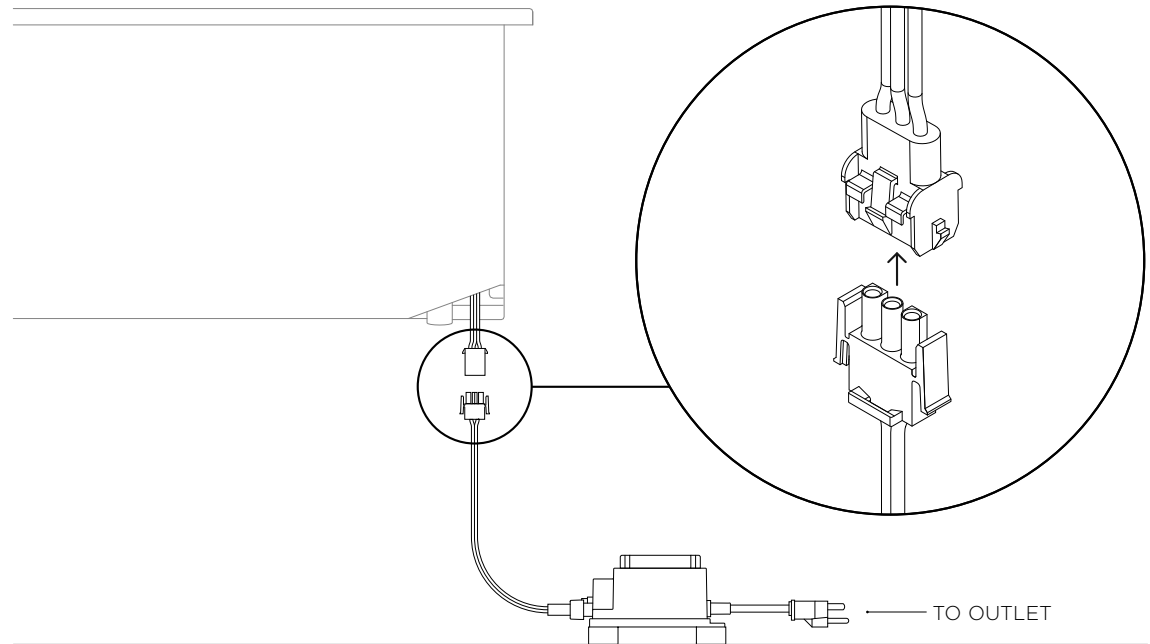
The transformer must be secured below the product in a dry location away from any excessive heat. Be sure to provide adequate access to facilitate service if the transformer or connections require maintenance.

### Dial halos

When a dial is in use, an orange halo around that dial will illuminate. This will change from orange to white if the dial is turned to **OFF** but another dial remains active. If all dials are turned **OFF**, all halos will dim.

Multiple DCS Series 9 products may be linked together to allow for cross-product halo illumination. To allow for this functionality, an approved DCS kit is required and can be **purchased separately** from your local DCS dealer.

If the ignition or dial halos fail to operate, a connection may have come loose during installation or the GFI may have tripped requiring a reset. Refer to the troubleshooting section of your user guide for further guidance.



## GAS CONNECTION

### GAS REQUIREMENTS

Verify the type of gas supply to be used, either natural or LP, and make sure the marking on the appliance rating plate agrees with that of the supply. The rating plate is located behind the drip tray on one of the endcaps. Never connect an unregulated gas line to the appliance. You must use a gas regulator even if the supply is controlled.

The appliance and its individual shut-off valve must be disconnected from the gas supply piping system during any pressure testing of that system at test pressures in excess of 1/2 PSIG (3.5 kPa.). The appliance must be isolated from the gas supply piping system by closing its individual manual shut-off valve during any pressure testing of the gas supply piping system at test pressures equal to or less than 1/2 PSIG (3.5 kPa.). The installation of this appliance must conform with local codes or, in the absence of local codes, with the National Fuel Gas Code, ANSI Z223.1/NFPA 54.

Installation in Canada must be in accordance with Natural Gas and Propane Installation Code, CSA B149.1, and/or Propane Storage and Handling Code, B149.2 and local codes.

#### Total gas consumption of the power burner with all burners on HI.

**PBE1:** 70,000 Btu/hr

#### Note:

If it is evident there is excessive abrasion or wear, or the hose is cut, it must be replaced prior to the outdoor cooking gas appliance being put into operation.

#### Regulator and hose replacement

The pressure regulator and hose assembly supplied with the unit must be used. If replacements are needed, contact customer care at [www.dcsappliances.com](http://www.dcsappliances.com)

### NATURAL GAS CONNECTION

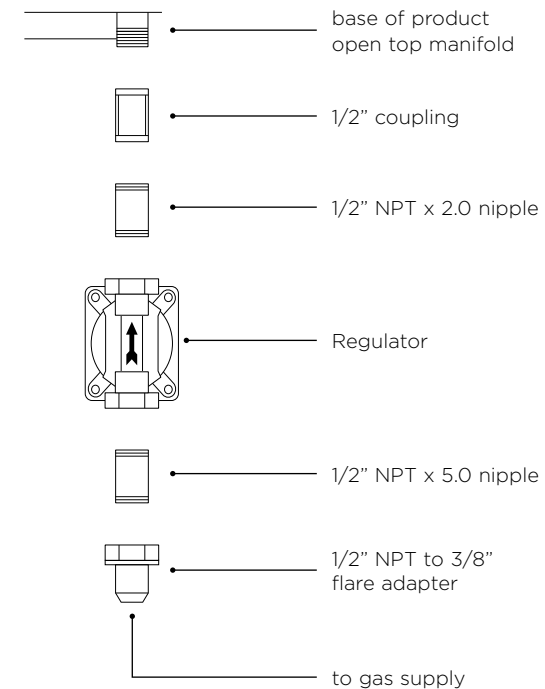
**Connection:** 1/2" NPT male with 3/8" flare adapter **Operating pressure:** 4" W.C.

**Supply pressure:** 5" to 14" W.C. If in excess of 14" W.C. a step down regulator is required.

Check with your local gas utility company or local codes for instructions on installing gas supply lines. Be sure to check on type and size of run, and how deep to bury the line. If the gas line is too small, the unit will not function properly. .

#### Connecting the fittings supplied with the power burner.

Use joint compound on male threads only. Do not use joint compound on the flare end of the 1/2" NPT to 3/8" flare adapter. Ensure that the regulator arrow points in the direction of gas flow towards the unit, away from the supply. Do not forget to place the installer-supplied gas valve in an accessible location.



## GAS CONNECTION

### BUILT-IN LP CONNECTION

When an LP unit is being directly connected to an LP house system, you must follow the natural gas connection guidelines. The installer must provide the proper gas regulator to reduce the gas pressure to 11" W.C.

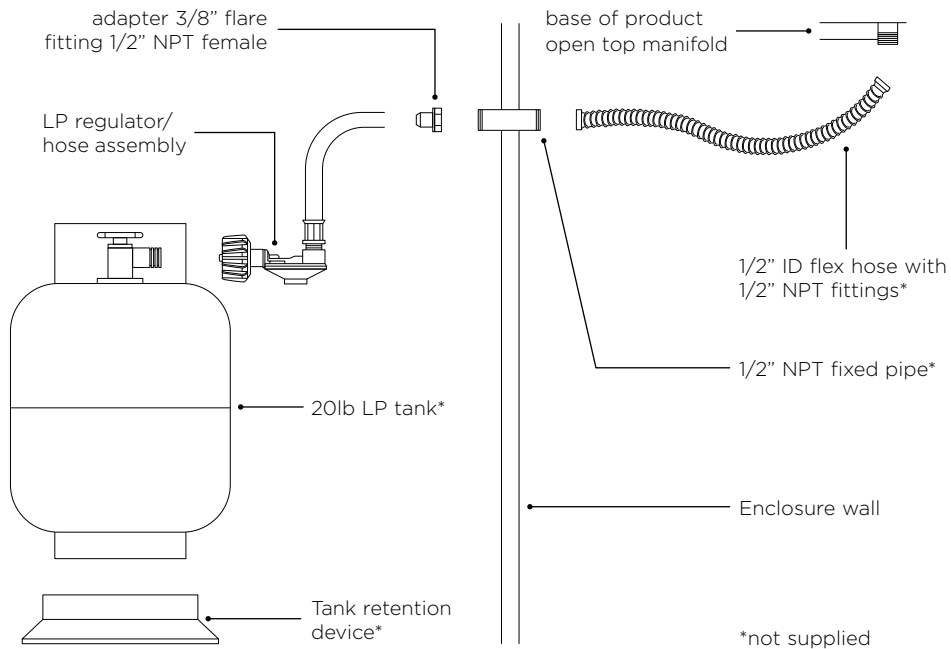
**Connection:** LP Hose with a Type 1 quick disconnect and regulator. **Operating pressure:** 11.0" W.C.

To operate your power burner on LP gas utilizing a 20lb type 1 cylinder, then a built-in LP tank restraint must be installed prior to initial use of the power burner. The Installer must supply 1/2" ID Flex hose and fixed pipe and a flare adaptor

#### Changing the LP cylinder

Ensure the main tank valve is turned off before turning the coupler counter clockwise, the inlet will then disengage. Remove the inlet from the tank valve opening. Your local LP filling station should be equipped with the proper equipment to fill your tank.

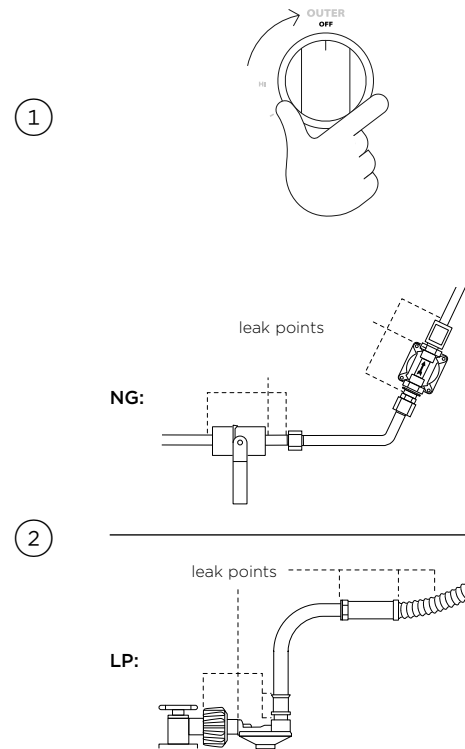
**Do not attempt to remove, repair or replace the regulator/hose assembly. This must be done by qualified and licensed technician only.**



### LEAK TESTING

A complete gas tightness check must be performed at the installation site. Periodically check the whole system for leaks, or immediately if the smell of gas is present.

When using a LP gas cylinder ensure it is installed in a vertical position to provide the required vapor withdrawal.



Prepare soap solution by combining one part liquid detergent and one part water. Pour into a spray bottle. Ensure all control valves are in the **OFF** position before turning the gas supply **ON**.

Check all connections from the supply line or LP cylinder by applying the solution around the connection, tubing and end of the manifold. Soap bubbles will appear where a leak is present.

#### If a leak is present

Immediately turn the gas supply **OFF** and tighten any leaking connections. Turn gas **ON**, and recheck. If you cannot stop a gas leak turn the gas supply **OFF** and call your local gas utility or the dealer you purchased the appliance from. Only parts recommended by the manufacturer should be used on the unit, substitution can void the warranty.

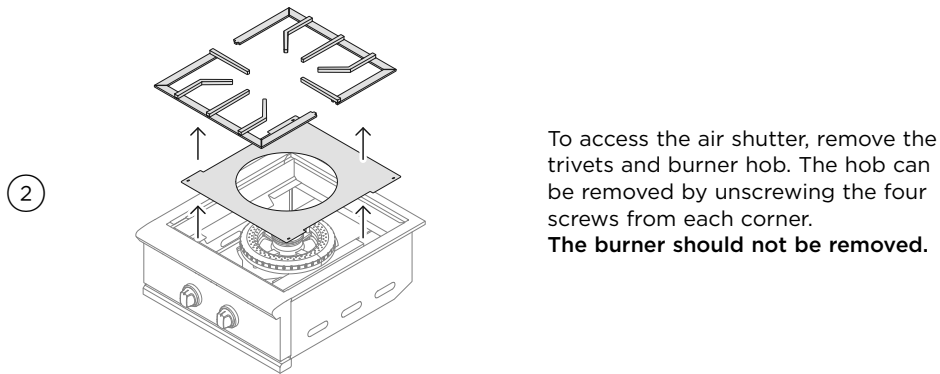
## BURNER ADJUSTMENT

### FLAME HEIGHT ADJUSTMENT

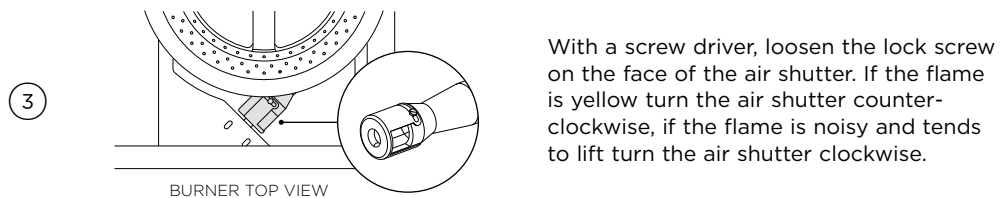
Flames should be blue and stable with no yellow tips, excessive noise or lifting (Note: LP units may have some yellow tipping). If any of these conditions exist, check the air shutter and burner ports are clear. If cleaning these does not improve performance, the air shutter for the outer burner can be adjusted as below.



Ensure the power burner is **OFF** and cool.



To access the air shutter, remove the trivets and burner hob. The hob can be removed by unscrewing the four screws from each corner. **The burner should not be removed.**



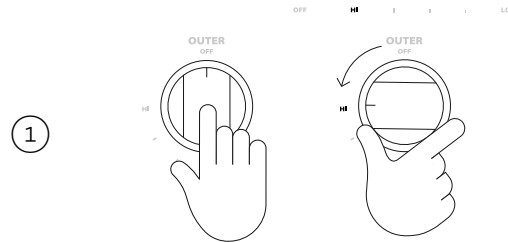
With a screw driver, loosen the lock screw on the face of the air shutter. If the flame is yellow turn the air shutter counter-clockwise, if the flame is noisy and tends to lift turn the air shutter clockwise.



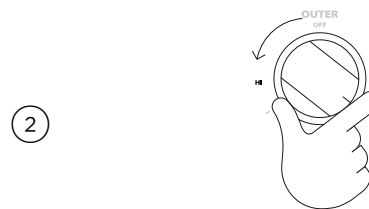
Light to check adjustment. If the flame is blue and stable, tighten the air shutter screw and replace all parts. If flame is still unstable, repeat the above steps.

### LOW FLAME ADJUSTMENT

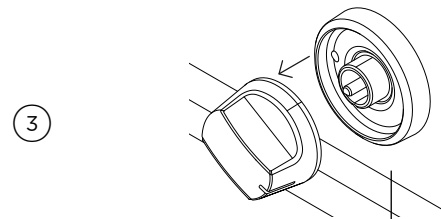
The valve for the outer burner feature an adjustable low setting. Due to fluctuations in gas pressure, or heating value you may feel it necessary to increase or decrease gas flow in the low position.



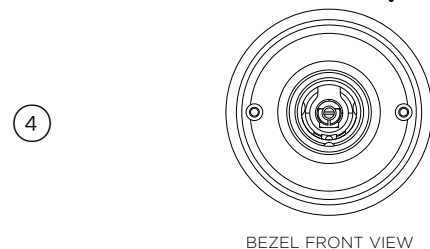
Push in and hold the selected dial for 2 seconds before turning to **HI**. Hold for 10 seconds to light the selected burner.



Turn the control dial counter-clockwise to the lowest setting.



Remove the dial.



While holding the valve shaft with pliers, insert a flat-tipped screwdriver into the shaft and, while viewing the burner, adjust to a minimum stable flame.

## INSTALLER CHECKLIST

---

### IMPORTANT!

Read all installation instructions in this manual to see if the unit has been correctly installed.  
Ensure that installation has been completed correctly before use.

#### Ensure that:

- |   |   |
|---|---|
| <input type="checkbox"/> specified clearances are maintained to combustibles                      | <input type="checkbox"/> flame has been checked and adjusted if required                                    |
| <input type="checkbox"/> proper enclosure ventilation has been verified                           | <input type="checkbox"/> each burner lights satisfactorily - individually or with adjacent burner lit       |
| <input type="checkbox"/> all internal packaging and any adhesive residue is removed               | <input type="checkbox"/> the pressure regulator is connected and set for 4" W.C. Natural, 11.0" W.C. LP gas |
| <input type="checkbox"/> the burner is level and does not rock                                    | <input type="checkbox"/> the manual shut-off valve is installed and accessible                              |
| <input type="checkbox"/> dials turn freely, bezels centered                                       | <input type="checkbox"/> the unit has been tested and is free of leaks                                      |
| <input type="checkbox"/> halo lighting is functioning correctly                                   | <input type="checkbox"/> the user is informed of gas supply shut-off valve location                         |
| <input type="checkbox"/> all warning labels removed and supplied to customer for future reference |   |

---

#### Complete and keep for safe reference:

Model \_\_\_\_\_  
Serial No. \_\_\_\_\_  
Purchase Date \_\_\_\_\_  
Purchaser \_\_\_\_\_  
Dealer Address \_\_\_\_\_  
Installer's Name \_\_\_\_\_  
Installer's Signature \_\_\_\_\_  
Installation Company \_\_\_\_\_  
Installation Date \_\_\_\_\_