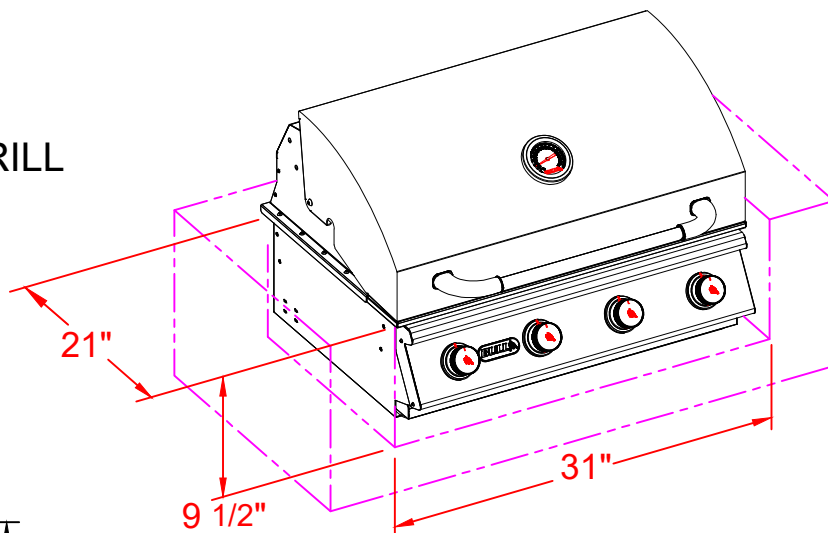
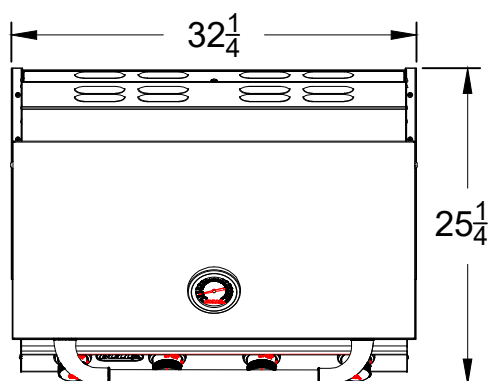


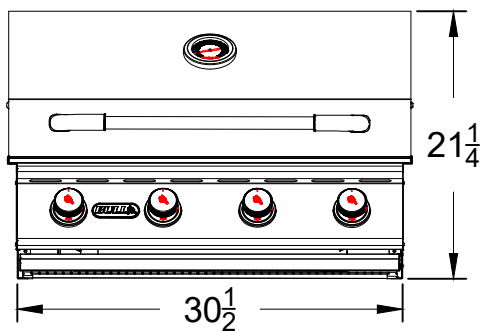
SPEC SHEET OUTLINE
ITEM# 26038 LP & 26039 NG
DESCRIPTION - OUTLAW GRILL



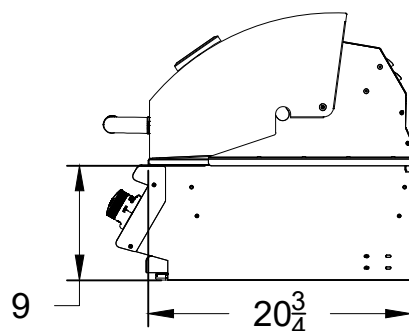
PERSPECTIVE VIEW
WITH INSTALLATION
CUT OUT DIMENSIONS



TOP VIEW



FRONT VIEW



RIGHT SIDE VIEW

NOTES:

- 1) ALL DIMENSIONS ARE IN INCH UNITS
- 2) REFER TO PICTORIAL VIEW FOR INSTALLATION CUTOUT DIMENSIONS.