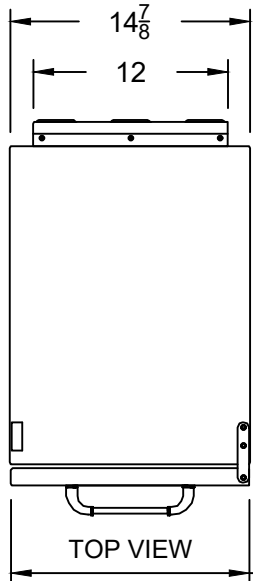
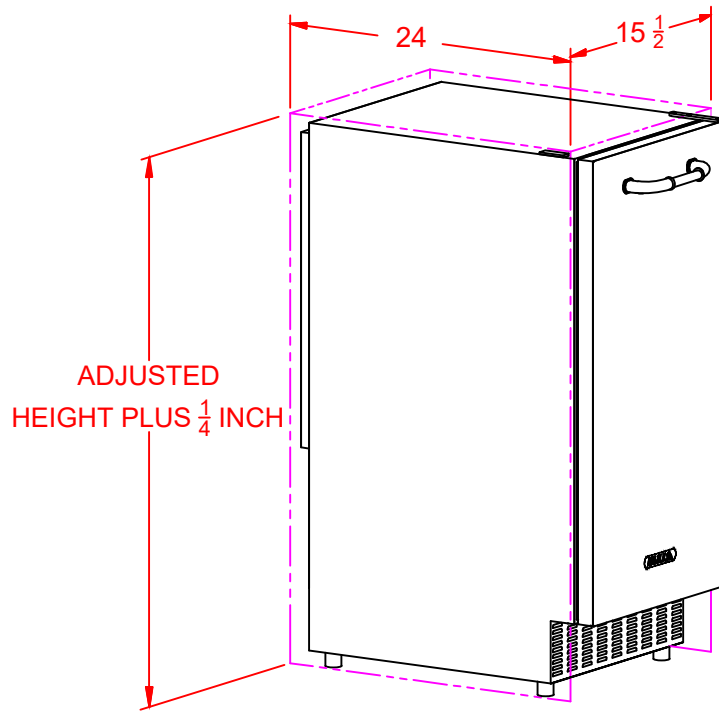
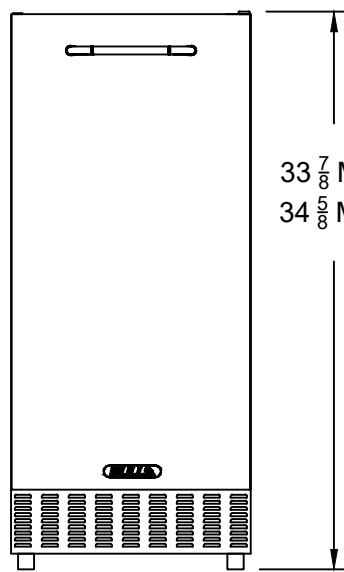




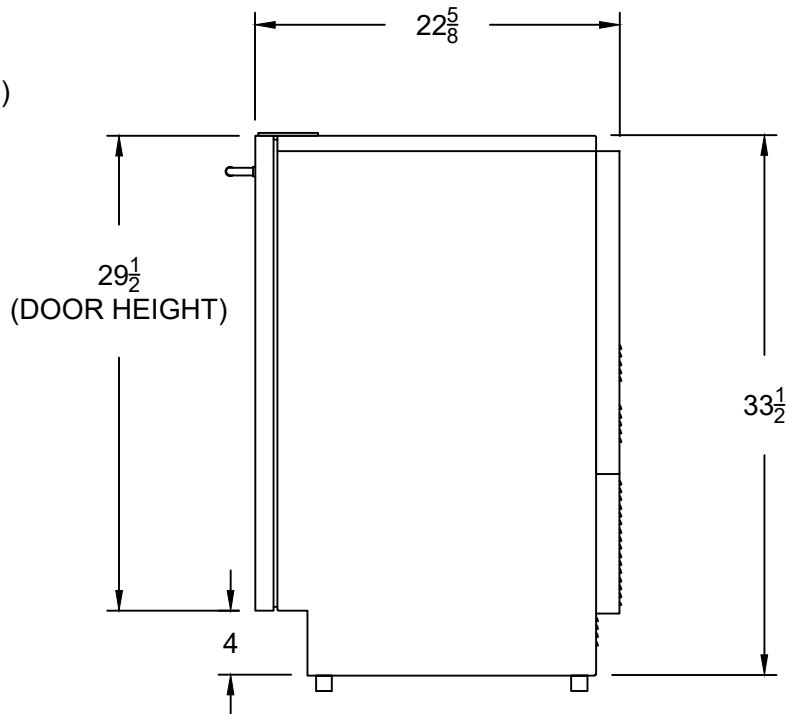
SPEC SHEET
ITEM# 13200
OUTDOOR RATED
ICE MAKER



14 ¹³/₁₆
 (DOOR WIDTH)



PERSPECTIVE VIEW
 INSTALLATION CUT OUT DIMENSIONS



NOTES:

- 1) ALL DIMENSIONS ARE IN INCH UNITS
- 2) REFER TO PERSPECTIVE VIEW FOR INSTALLATION CUTOUT DIMENSIONS.
- 3) FINISHING FRAME AVAILABLE THROUGH BULL REF ITEM NO. 13202