



# HITCH MOUNTED 2 BIKE CARRIER ASSEMBLY MANUAL

THIS INSTRUCTION BOOKLET CONTAINS  
IMPORTANT SAFETY INFORMATION. PLEASE  
READ AND KEEP FOR FUTURE REFERENCE.

Part No.: #10012

**FOR SERVICE ASSISTANCE**  
**CALL TOLL FREE 1.800.451.5368**

Monday - Friday 8:00 a.m. to 4:00 p.m. Eastern Standard Time

Thank you for purchasing the CAPSTONE bike carrier. Please check all components according to drawing included. If anything is missing, please contact authorized dealer.

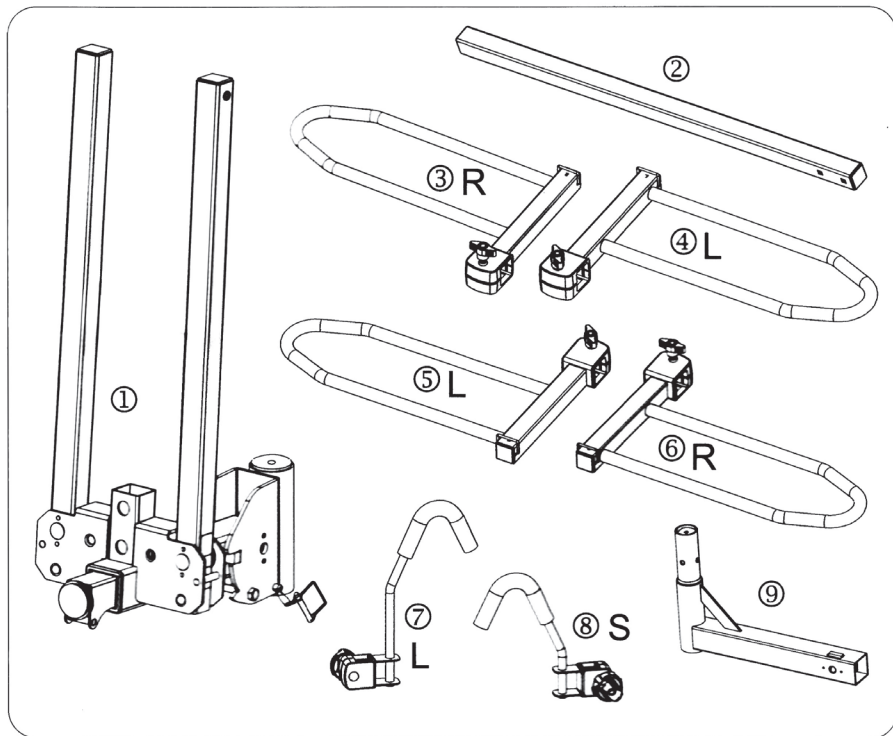
**IMPORTANT:**

Carefully read and follow this manual (and any other materials included) before using. Please retain this manual for future use.

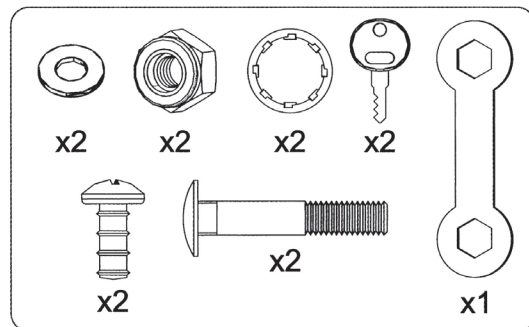
This manual is provided to assist you and is not intended to be a comprehensive manual covering all aspects of maintenance. The carrier you have purchased is a complex piece of equipment that must be properly assembled and maintained in order for proper usage. **If you have any doubts about the assembly or your ability to properly assemble and maintain the carrier, you must have it assembled and maintained by a professional.**

 **DANGER! Failure to properly assemble and maintain this product could result in serious injury or death.**

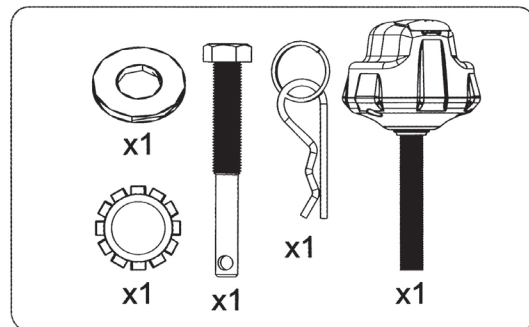
# PARTS IDENTIFICATION



x1



A

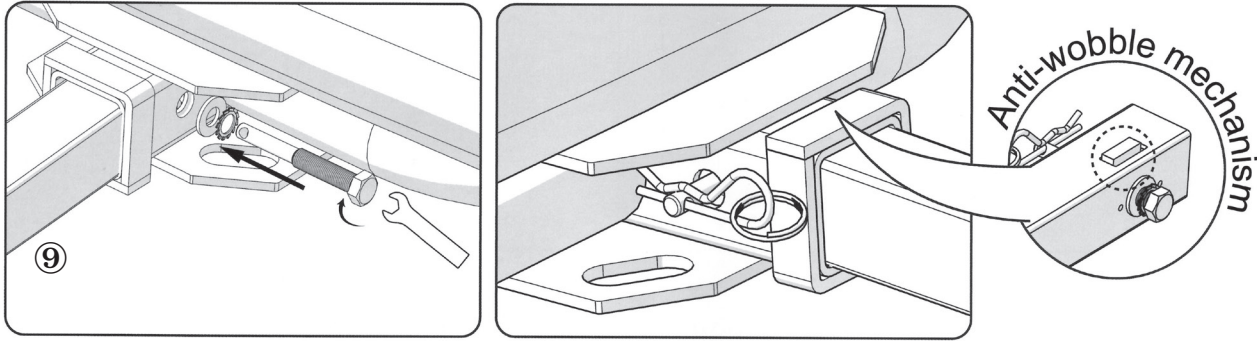


B

# ASSEMBLY & INSTALLATION INSTRUCTIONS

## STEP 1:

Slide the hitch tube ⑨ into 2" hitch receiver and secure it with safety bolt, external tooth lock & flat washer, and R-pin.

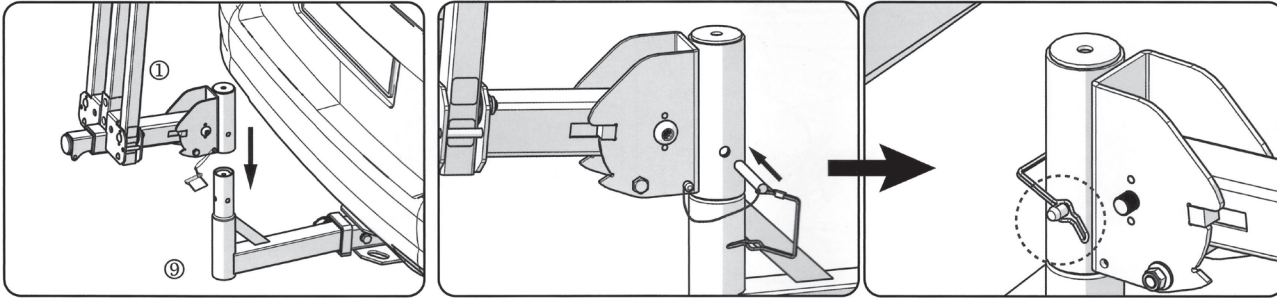


Use wrench to tighten the safety bolt. *Anti-wobble mechanism* is functioning when the safety bolt is tightened.

## ASSEMBLY & INSTALLATION INSTRUCTIONS *continued*

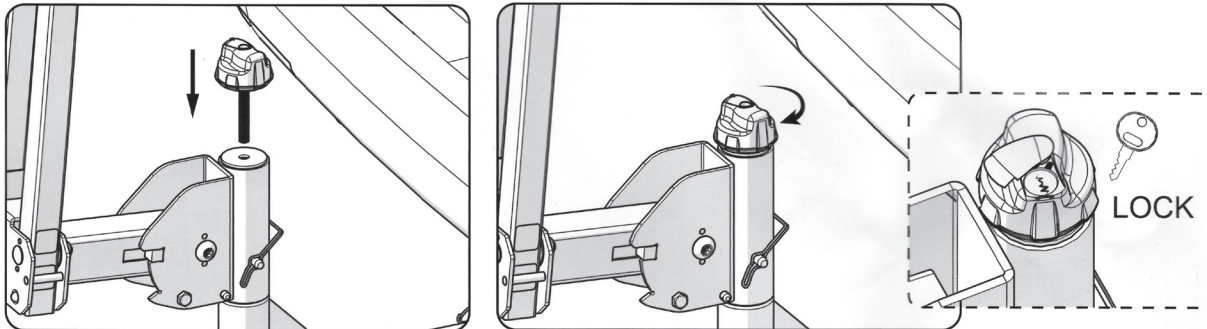
### STEP 2:

Connect the rotatable post tube ① to the hitch tube ⑨ with the attached wire lock pin.



### STEP 3:

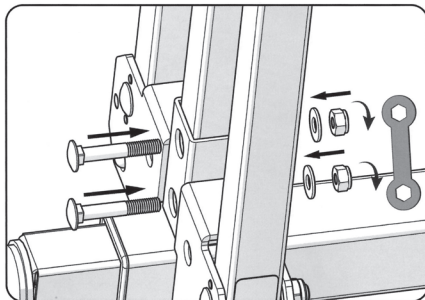
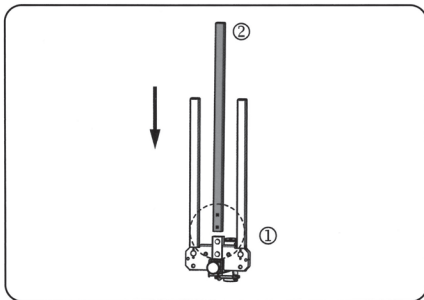
Secure the rotatable post tube ① with the locking knob.



## ASSEMBLY & INSTALLATION INSTRUCTIONS *continued*

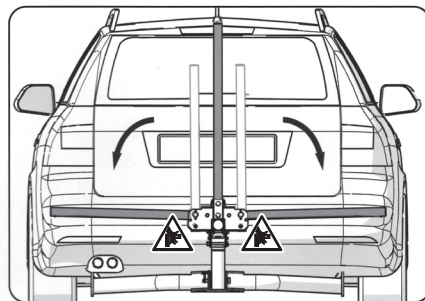
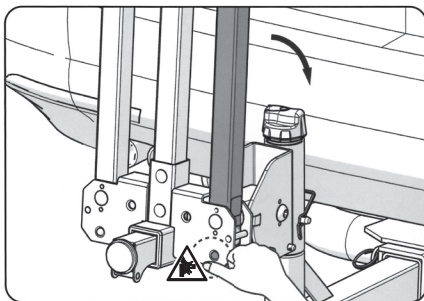
### STEP 4:

Connect the main square post ② to the base ① with carriage bolts, flat washers and nuts.



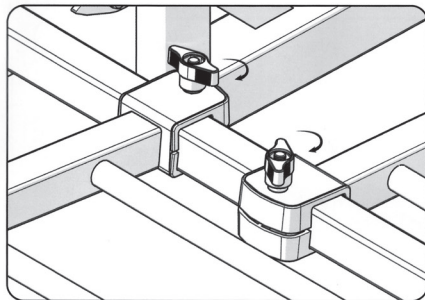
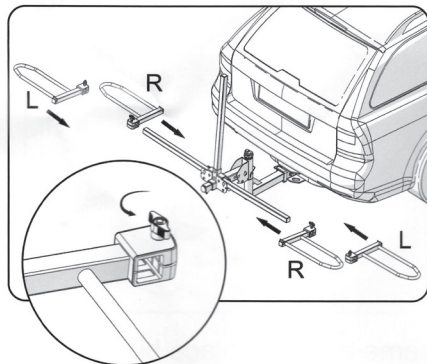
### STEP 5:

Press the button to fold down the wheel tubes.

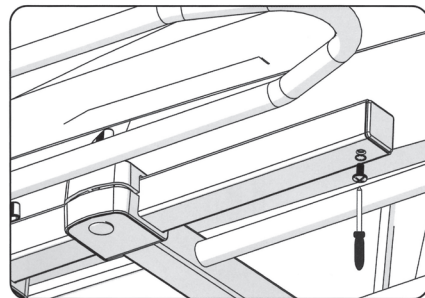
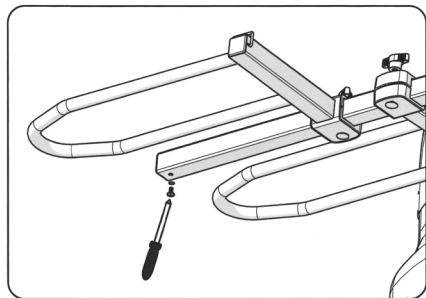


## ASSEMBLY & INSTALLATION INSTRUCTIONS *continued*

Loosen the knobs on the wheel holders ③ ④ ⑤ ⑥ and slide them onto the wheel tubes.



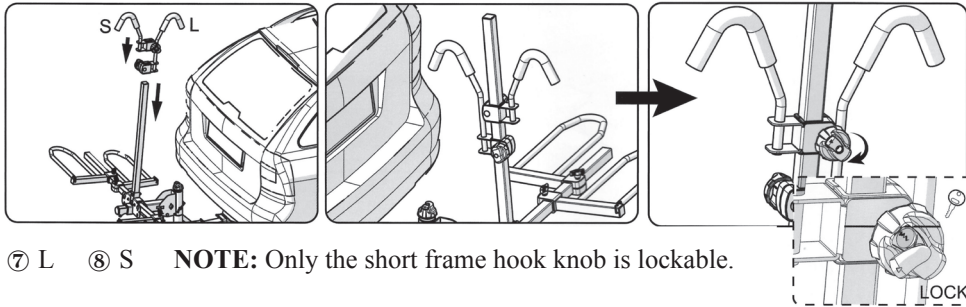
Install wheel holder stop screws & internal toothed lock washers with Phillips screwdriver.



## ASSEMBLY & INSTALLATION INSTRUCTIONS *continued*

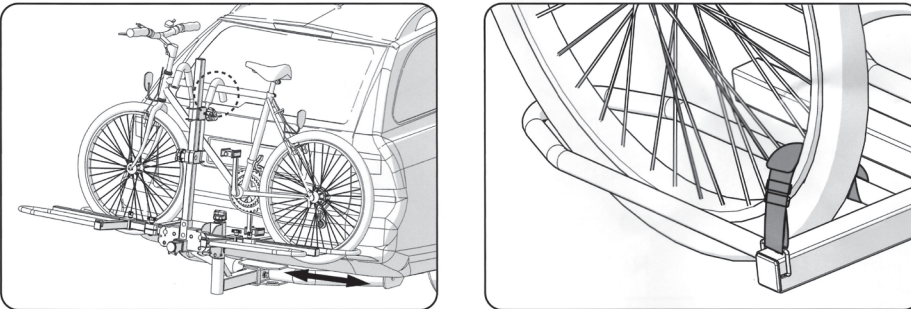
### STEP 6:

Loosen the knobs on the frame hooks and slide them accordingly onto the vertical post. The long frame hook ⑦ should be positioned first and facing the vehicle, the short frame hook ⑧ should be on the top for its knob is lockable. So that when you lock the outer bike with the lockable knob, the inner bike can't be taken off.



### STEP 7:

Slide the wheel holders and frame hooks to place bikes on appropriate position. Secure wheels with Velcro straps.

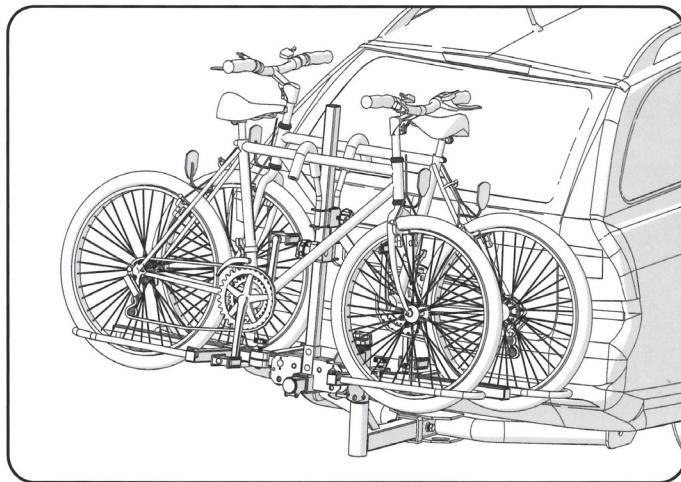
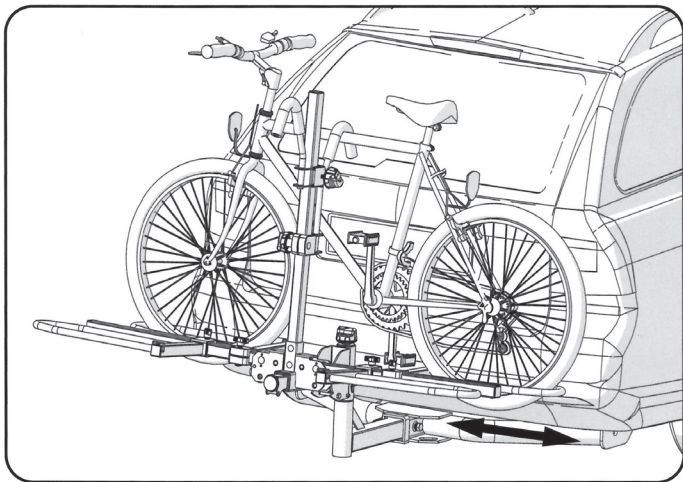




## ASSEMBLY & INSTALLATION INSTRUCTIONS *continued*

### STEP 8:

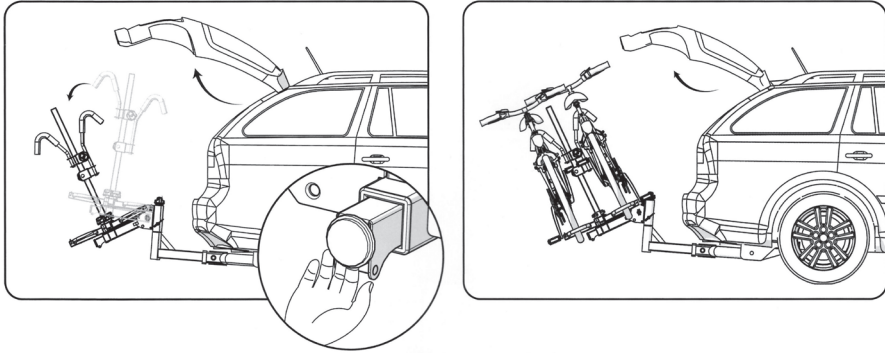
Installation completed!



## ASSEMBLY & INSTALLATION INSTRUCTIONS *continued*

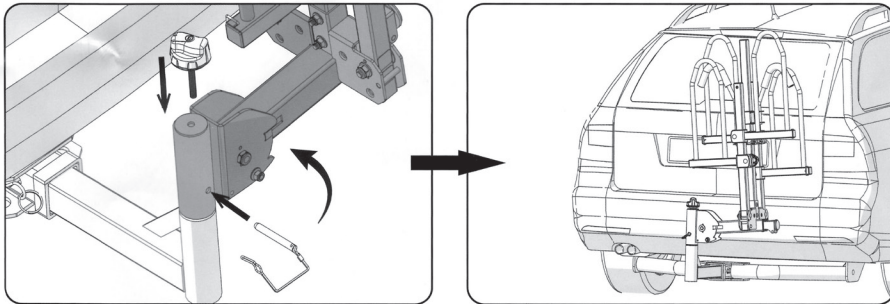
### TILTING FUNCTION:

Pull the tilting device which is on the front-end of the base with reflector on it, the carrier can be easily tilted down for rear access.



### SWING AWAY FUNCTION:

Loosen the locking knob and pull the wire lock pin out to swing the carrier to left or right and then tighten the locking knob and insert the pin again to fix the carrier.



## **WARNINGS:**

- **It's the consumer's responsibility to ensure that the use of this rack complies with local regulations. Do not cover license plates, and tail lights.**
- **MINORS AND CHILDREN CANNOT BE ALLOWED TO PLAY OR STAND NEAR THIS PRODUCT.**
- **This bike carrier has been designed to carry bicycles on most vehicles. Refer to your vehicle's owner's manual for your vehicle's specific guidelines.**
- **This carrier is designed to carry bicycles only.**
- **Do not mount to any type of trailer, RV, towed vehicle etc.**
- **Always make sure the trailer is properly attached before each use.**
- **Seller and manufacturer disclaim any or all liability for direct and indirect injuries or damages caused by the improper installation, use, improper maintenance, or abuse of this product.**
- **Remove baby seats, panniers, U-locks, or items that could detach from the bicycle.**
- **Do not use bicycle covers, bicycle bras, or bikes equipped with rear disc wheel.**
- **Not intended for off road use. Not intended for use on trailers or towed vehicles.**
- **Locks are the only deterrents to thieves. CAPSTONE cannot be held liable for stolen bicycles.**
- **Remove rack before entering a car wash.**
- **Check all fastenings (nuts, bolts and straps) before each use.**
- **Once a year, remove rack from car. Clean and inspect for damage.**
- **Do NOT exceed maximum load capacity of the carrier (70lbs. max, 35lbs. max per bike).**

**FOR SERVICE ASSISTANCE  
CALL TOLL FREE 1.800.451.5368**

## LIMITED LIFETIME WARRANTY

This Limited Warranty extends only to the original retail purchaser, who must produce proof of purchase in order to validate any claim. This warranty is not transferable to anyone else.

**What does this Limited Warranty cover?** We offer our customer a limited life time warranty for main body of the bike rack from defects in material and workmanship and one year on degradable material like rubber and plastics from the date of the original purchase.

What must you do to keep the Limited Warranty in effect? This warranty is effective only if:

- The bike rack is completely and correctly assembled.
- The bike rack is used under normal conditions for its intended purpose.
- The bike rack receives all necessary maintenance and adjustments.

**What is not covered by this Limited Warranty?** This warranty does not include labour and transportation charges. The bike rack is designed for general transportation and recreational use only. This warranty does not cover normal wear and tear, paint, rust, normal maintenance items, personal injury, or any damage, failure, or loss that is caused by accident, improper assembly, maintenance, adjustment, storage, or use of the bike rack.

This Limited Warranty will be void if the bike rack is ever:

- Modified in any way.
- Rented or used for commercial purposes.
- Used in a manner contrary to the instructions in this Owner's Manual. Kent International will not be liable for incidental or consequential loss or damage, due directly or indirectly from use of this product.

**For how long does this Limited Warranty last?** The main body is warranted for the usable life of the bike rack. Kent International will replace the main body at no charge, should it fail in any weld point when the rack has been used in a normal manner, and determined by our inspection. You must receive prior authorization from Kent Customer Service, before returning any product or parts. All other components are warranted against defects for one year from the date of purchase when properly assembled and used in a normal manner.

**What will Kent do?** It is under our discretion or determinate which of the following methods is most suitable to execute the warranty: repair, replacement, or refund. CONSUMER MUST PAY ALL LABOR AND TRANSPORTATION CHARGES CONNECTED WITH THE REPAIR OR WARRANTY WORK.

**How do you get service?** Phone the Customer Service Department (8am - 4pm E.S.T.) at 1-800-451-KENT. All warranty claims should be made to Kent International, Inc. 60 E. Halsey Rd. Parsippany, NJ 07054 USA.

**What rights do you have?** This limited warranty gives you specific legal rights. You may also have other rights which vary from State to State.