

# NATIONAL-SPENCER, INC.

## ZEE LINE LUBRICATION EQUIPMENT

Phone 800-231-1525

Fax 800-637-9511

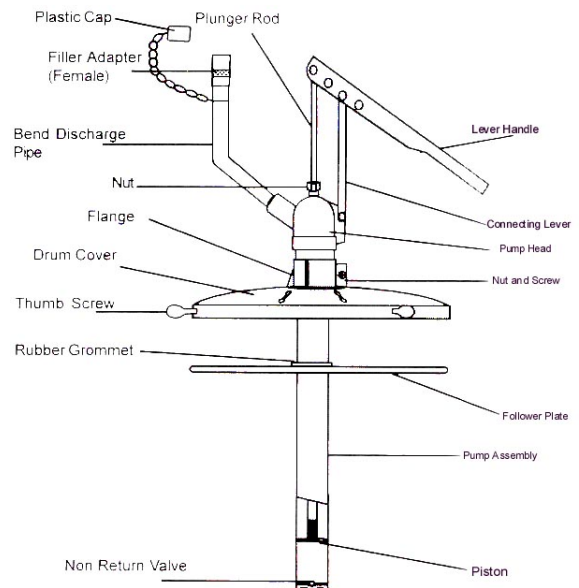
Web Address [www.zeeline.com](http://www.zeeline.com)



### **Part #327**

#### Grease Filler Pump For 120 lb. Drum

For filling hand grease guns  
without disassembly.



#### **Features**

- ❖ Fits 120 lb. container
- ❖ Pump length 30"
- ❖ Drum cover diameter 16"
- ❖ Rubber lined follower plate
- ❖ Zinc plated pump
- ❖ Zinc die cast head
- ❖ Cast aluminum adjusting flange, cover and loader fitting
- ❖ Female and male loader adapters included
- ❖ Pivot point handle allows for delivery of up to 14 oz. per each 15 strokes

#### **Recommended for**

- ✓ Grease guns with **Part # 80** male loader fittings

#### **Application**

- Automotive
- Industrial
- Agricultural

#### **Number of boxes and contents**

- 1 box (33 ½" x 15 ½" x 3") (10 lb.)
- UPC Code 0 1595400327 4