

# NATIONAL-SPENCER, INC.

## ZEE LINE LUBRICATION EQUIPMENT

Phone 800-231-1525

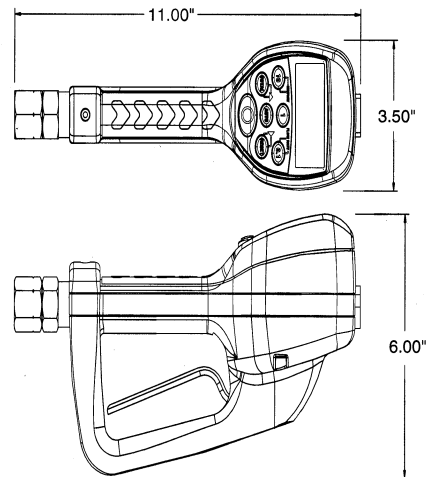
Fax 800-637-9511

Web Address [www.zeeline.com](http://www.zeeline.com)



### **Part # 1522** **Automatic Preset Electronic Lube Meter**

**For dispensing and totalizing in  
liters, pints and gallons**



#### **Features**

- ❖ Factory programmed and calibrated
- ❖ Accurate to second decimal
- ❖ 8 GPM maximum flow rate
- ❖ 5 digit display with .01 increment
- ❖ 1000 psi maximum working pressure
- ❖ Lightweight and rugged with comfort grip
- ❖ 1/2" NPT threads on inlet and outlet
- ❖ 1/2" pipe extension with automatic non-drip
- ❖ 4 AAA batteries

#### **Recommended for:**

- ✓ Motor oil
- ✓ Hydraulic fluids
- ✓ ATF
- ✓ Gear lube
- ✓ Engine coolant

#### **Applications**

- Quick lubes
- Lube trucks
- Car dealerships
- Truck maintenance

#### **Optional accessories**

- 1315 (1/2" hose with manual non-drip nozzle)
- 1315A (1/2" hose with automatic non-drip nozzle)

#### **Number of boxes and contents**

- Meter, batteries, inlet swivel, rigid outlet with non-drip spout (1 box 13.5" x 6" x 5")(4 lb.)
- UPC code 0 1595431539 1