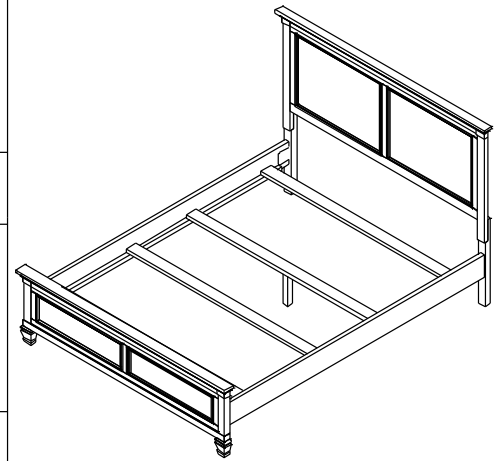
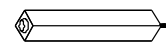


Components and Hardware list

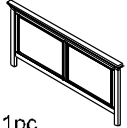


Center Leg With leveler



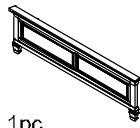
Ⓐ 1pc
Ⓑ 1pc
Ⓒ 2pcs
Ⓓ 1pc
Ⓔ 1pc
Ⓕ 4pcs
Ⓖ 1pc

Headboard



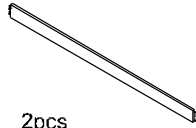
Ⓐ 1pc

Footboard



Ⓑ 1pc

Side Rail



Ⓒ 2pcs

Left Post



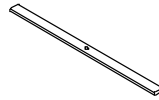
Ⓓ 1pc

Right Post



Ⓔ 1pc

Slat



Ⓕ 4pcs

Short Bolt
Ø5/16"x1-3/4"L



Ⓕ 4pcs

Spring Washer
Ø5/16"



Ⓖ 4pcs

Flat Washer
Ø5/16"x19mm



Ⓙ 4pcs

Allen Wrench
4mm

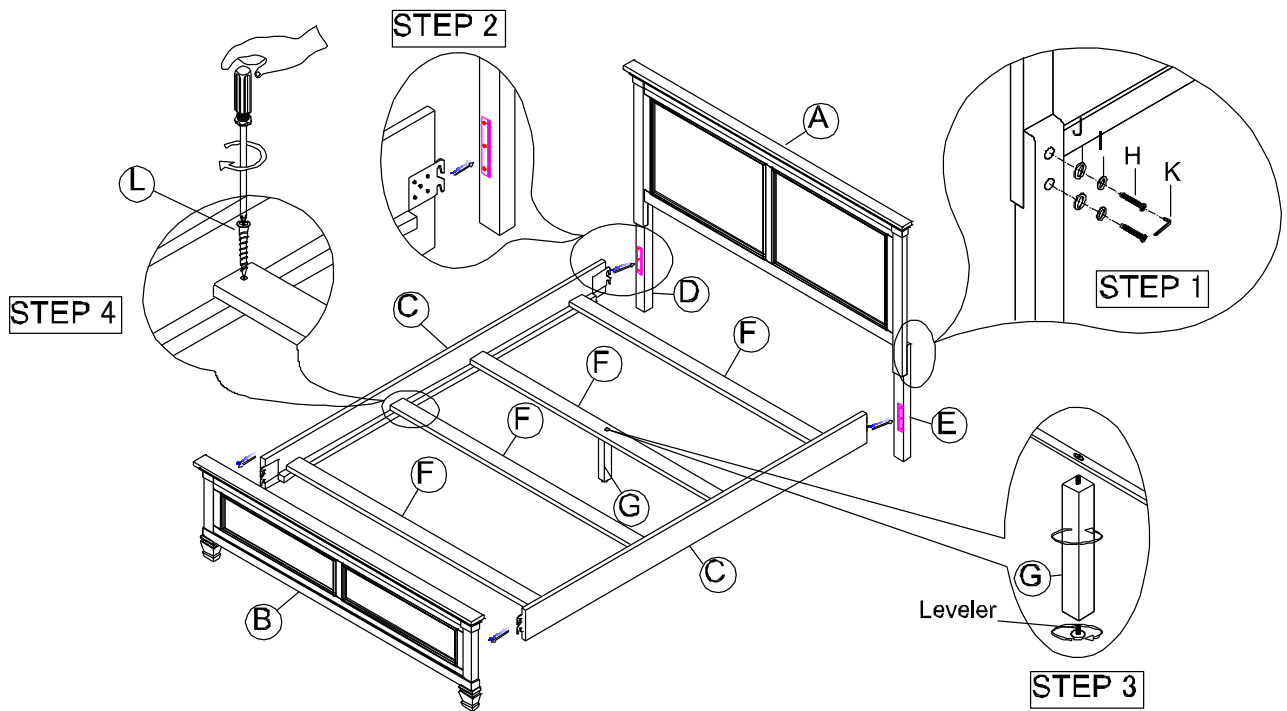


Ⓚ 1pc

Screw
#8*1-1/4"L



Ⓛ 8pcs



STEP 1: Attach the Left and Right post(D&E) to the Headboard(A) using the Flat Washer(J), Spring Washer(I) and 1-1/2" long Bolt(H) Tighten all bolts using the Allen Wrench(K)

STEP 2: Gently lean the assembled Headboard against the wall where the Bed will be located Attach Side Rail(C) to Headboard(A) and Footboard(B) Using the tieback grapple

STEP 3: Attach Slats to the side Rails with one side of the three slats(F) at both ends of slats

To prevent undue stress to the Bed always disassemble the Bed to move from one location to another