



Assembly Instructions

D2264-10B SAN JUAN STANDARD TABLE BASE D2264-10T SAN JUAN TABLE TOP W/LEAF

Thank you for purchasing this quality product. Be sure to check all packing material carefully for small parts, which may have come loose inside the carton during shipment. Identify, count all parts and compare with the HARDWARE LIST below.

Caution: Please read the instructions thoroughly before assembly.

1. We recommend that you assemble this product with the assistance of another person; this will make the assembly easier, and will help eliminate damage to the product or injury to persons during assembly.
2. Please do not over tighten screws or bolts until the assembly is completed.
3. Please put all parts on a non-abrasive floor before assembly, and follow the assembly steps to assemble your newly purchased product correctly and efficiently.

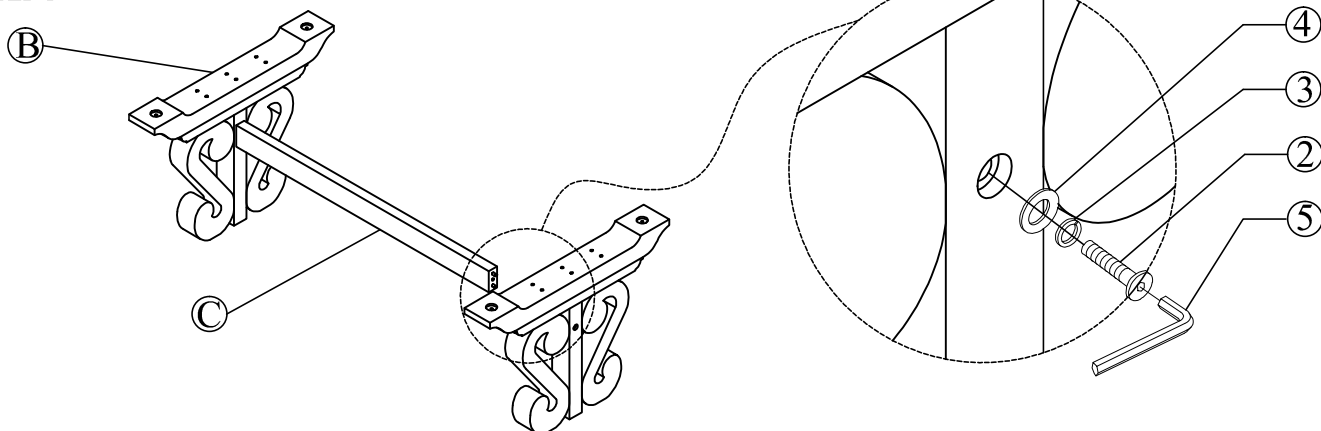
HARDWARE LIST

NO:	SKETCH	DESCRIPTION	Q'TY
1		Bolt ϕ 5/16" *38mm	8 Pcs
2		Bolt ϕ 5/16" *110mm	2 Pcs
3		Spring Washer 5/16"	10 Pcs
4		Flat Washer 5/16" * 19mm	10 Pcs
5		Allen Key 4mm	1 Pc

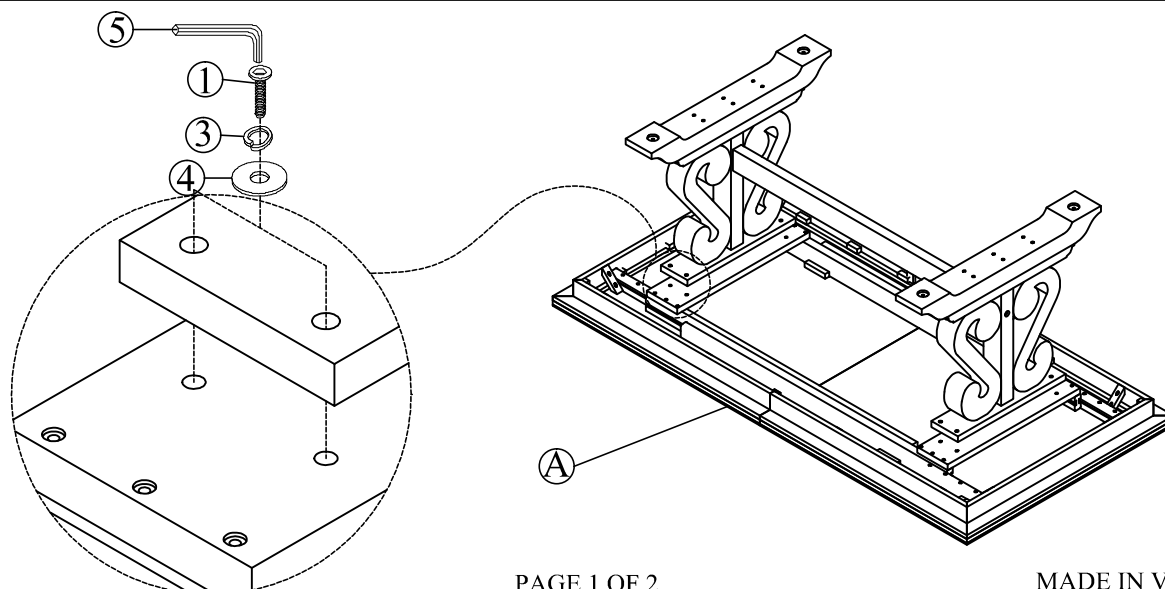
PART LIST

NO:	SKETCH	DESCRIPTION	Q'TY
A		Table Top W/Leaf	1 Pc
B		Table Base	2 Pcs
C		Stretcher	1 Pc

STEP 1



STEP 2





Assembly Instructions

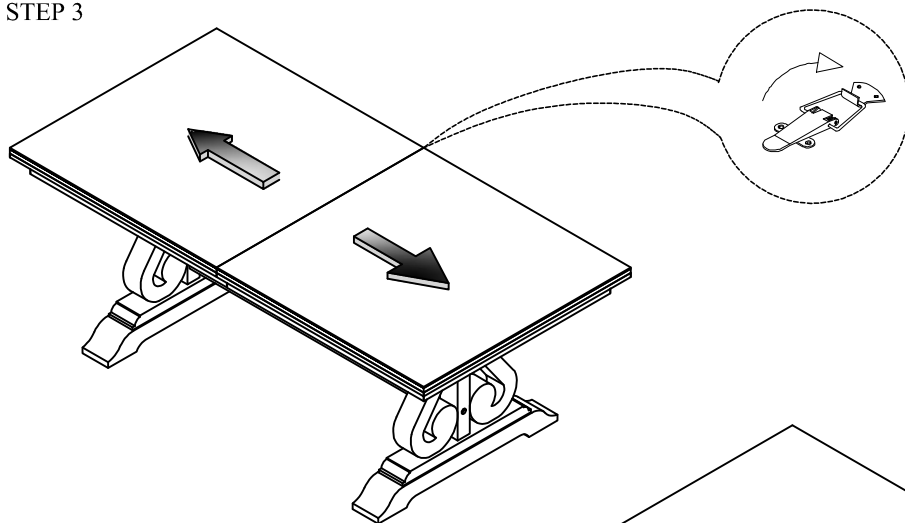
D2264-10B SAN JUAN STANDARD TABLE BASE D2264-10T SAN JUAN TABLE TOP W/LEAF

Thank you for purchasing this quality product. Be sure to check all packing material carefully for small parts, which may have come loose inside the carton during shipment. Identify, count all parts and compare with the HARDWARE LIST below.

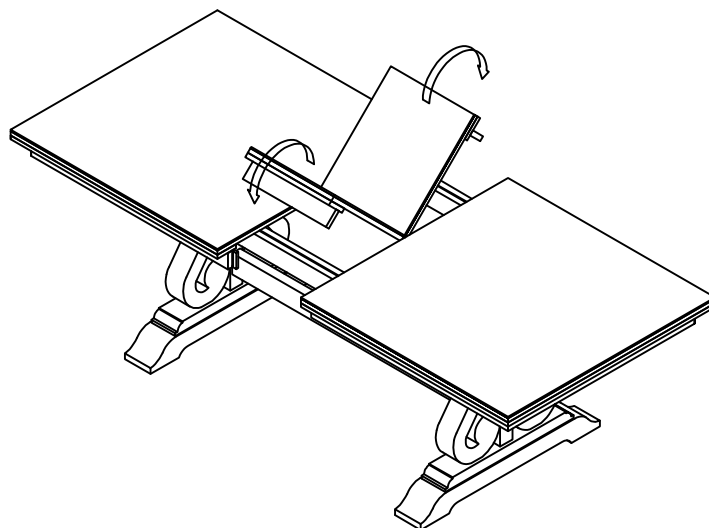
Caution: Please read the instructions thoroughly before assembly.

1. We recommend that you assemble this product with the assistance of another person; this will make the assembly easier, and will help eliminate damage to the product or injury to persons during assembly.
2. Please do not over tighten screws or bolts until the assembly is completed.
3. Please put all parts on a non-abrasive floor before assembly, and follow the assembly steps to assemble your newly purchased product correctly and efficiently.

STEP 3



STEP 4



COMPLETE

