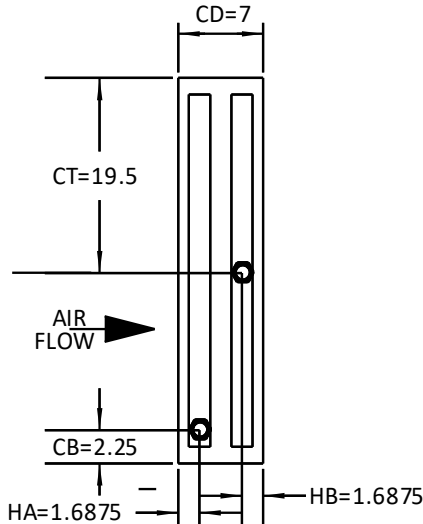
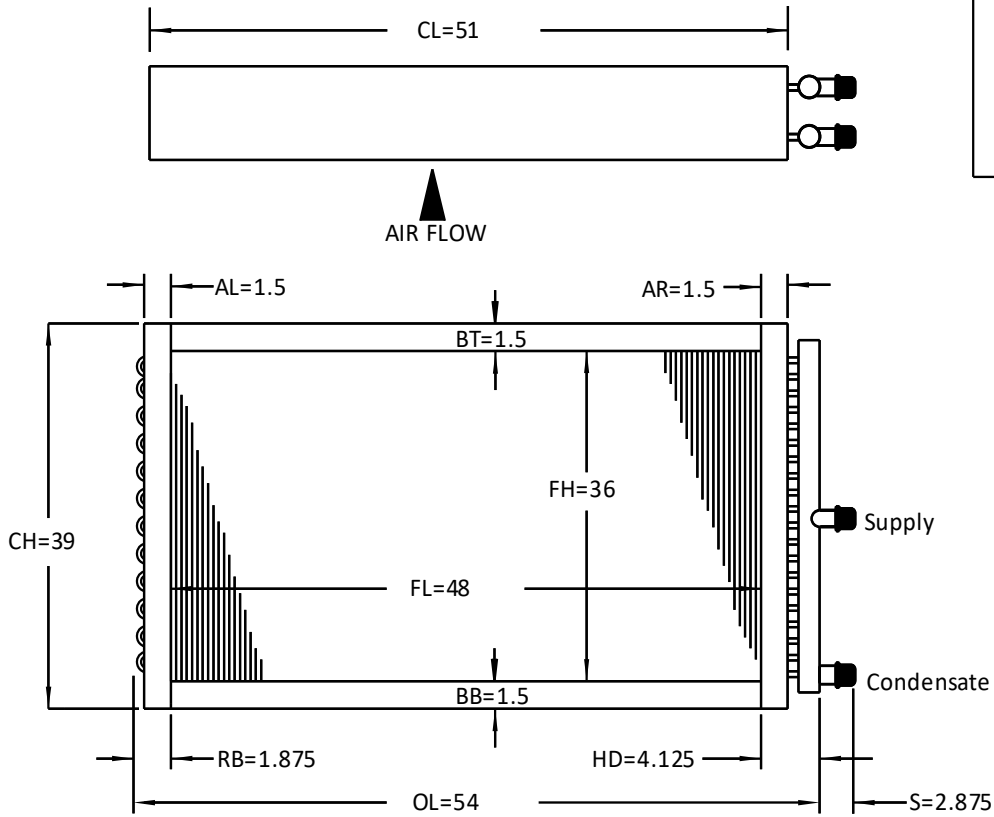


Emergent Coils, LLC ~ 855-264-5669

5S36X48-110-HR

sales@emergentcoils.com



Fin Type: Waffle
Fin Material: Aluminum
Fin Thickness: 0.006
Rows/FPI: 1/10
Circuiting: 12/2/0/SE/Half
Tube Type: 5/8 Inch / Copper / Smooth
Tube Thickness: 0.025
Casing: Galv Gages: TS=18/ SP=18

Connection Material: Copper
Supply Connection Size: 2
Supply Header Dia.: 2.125
Return Connection Size: 1.5
Return Header Dia.: 1.625
Connection Type: MPT
App. weight (Uncrated each) : 75.4

Tube Sheet Flange Standard
Side Plate Flange: Stacking