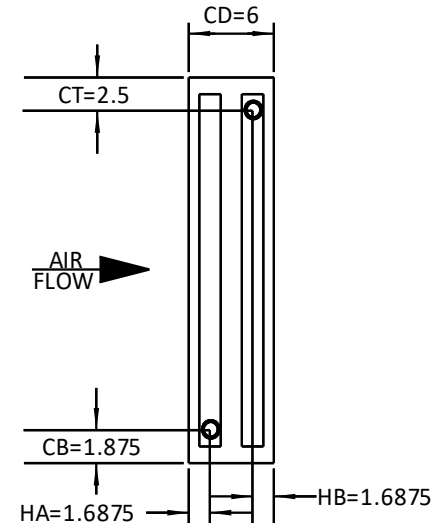
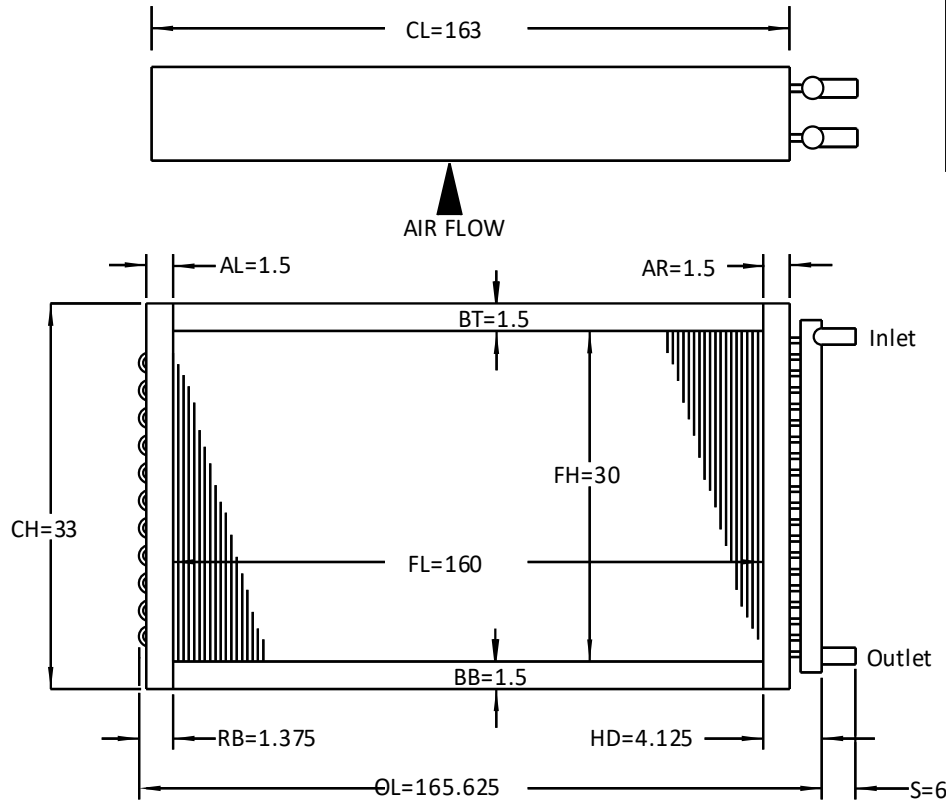


Emergent Coils, LLC ~ 855-264-5669

3C30X160-410-ZR
 sales@emergentcoils.com



Fin Type: Waffle
Fin Material: Aluminum
Fin Thickness: 0.006
Rows/FPI: 4/10
Circuiting: 30/4/0/0/0
Tube Type: 3/8 Inch / Copper / Smooth
Tube Thickness: 0.020
Casing: Galv Gages: TS=16/ SP=14

Connection Material: Copper
INLET Size: 2.125
INLET Header Dia.: 2.125
OUTLET Size: 0.875
OUTLET Header Dia.: 0.875
Connection Type: ODS
App. weight (Uncrated each): 349

Capacity = 255466 / Capacity = 255466 / Smooth Bore
Vapor Temperature = 200 / R-22
Tube Sheet Flange Standard
Side Plate Flange: Stacking