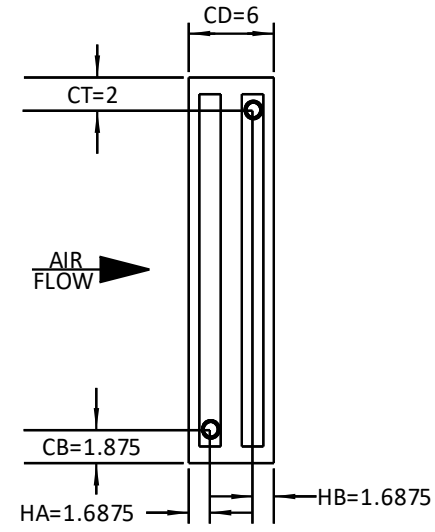
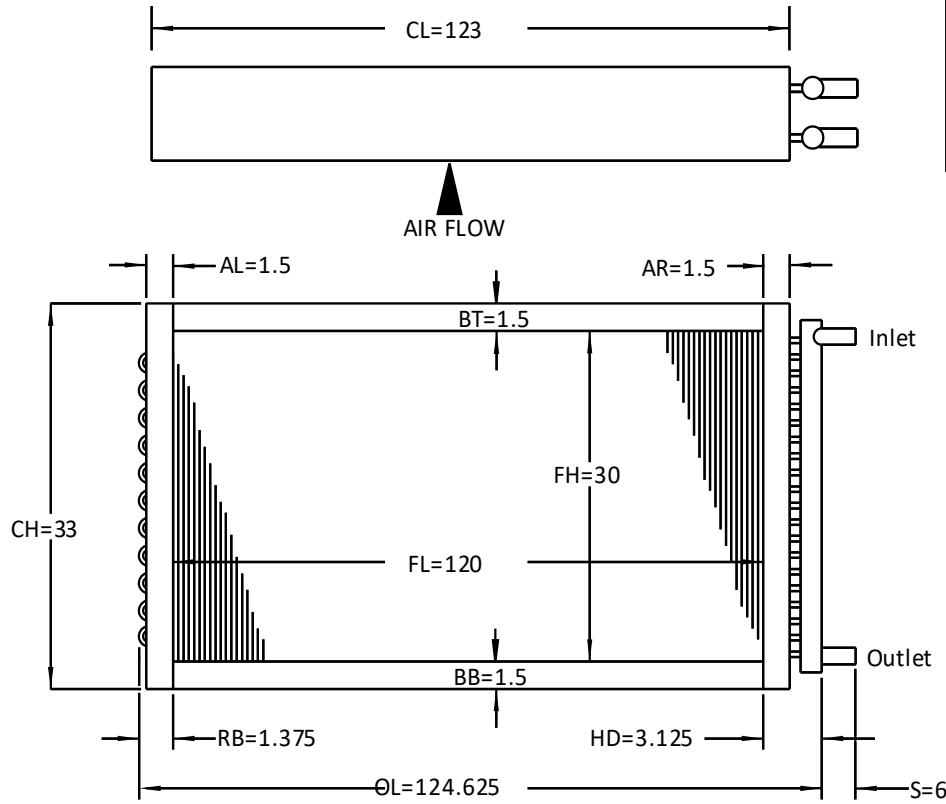


**Emergent Coils, LLC ~ 855-264-5669**

**3C30X120-410-ZR**  
 sales@emergentcoils.com



**Fin Type: Waffle**  
**Fin Material: Aluminum**  
**Fin Thickness: 0.006**  
**Rows/FPI: 4/10**  
**Circuiting: 30/4/0/0/0**  
**Tube Type: 3/8 Inch / Copper / Smooth**  
**Tube Thickness: 0.020**  
**Casing: Galv Gages: TS=16/ SP=14**

**Connection Material: Copper**  
**INLET Size: 1.125**  
**INLET Header Dia.: 1.125**  
**OUTLET Size: 0.875**  
**OUTLET Header Dia.: 0.875**  
**Connection Type: ODS**  
**App. weight (Uncrated each) : 265.1**

**Capacity = 168043 / Capacity = 168043 / Smooth Bore**  
**Vapor Temperature = 200 / R-22**  
**Tube Sheet Flange Standard**  
**Side Plate Flange: Stacking**