

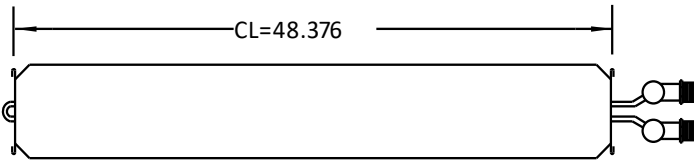
Emergent Coils, LLC ~ 855-264-5669

P#431/58BS-24X48-10-2WHR-C

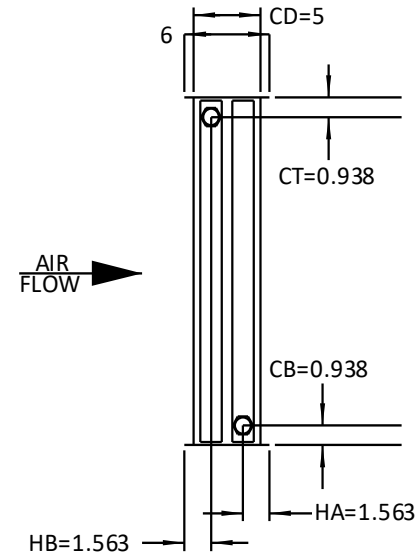
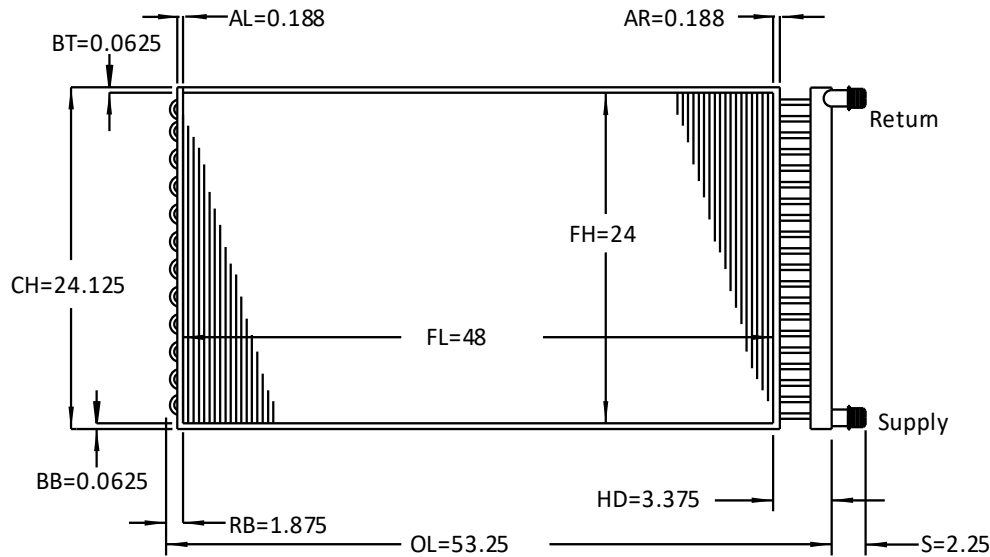
Sales@emergentcoils.com

Tag: Reheat Coil

Qty(1)



AIR FLOW



Fin Type: Waffle
Fin Material: Aluminum
Fin Thickness: .008
Rows/FPI: 2/10
Circuiting: 0
Tube Type: 5/8 Inch / Copper / Smooth
Tube Thickness: 0.020
Casing: Galv Gages: TS=18/ SP=18

Connection Material: Copper
Supply Connection Size: 1.25
Supply Header Dia.: 1.375
Return Connection Size: 1.25
Return Header Dia.: 1.375
Connection Type: MPT
App. weight (Uncrated each) : 60.6

Approximate Fluid Volume (Gal) : 2.4
Tube Sheet Flange Standard
Side Plate Flange: Stacking