

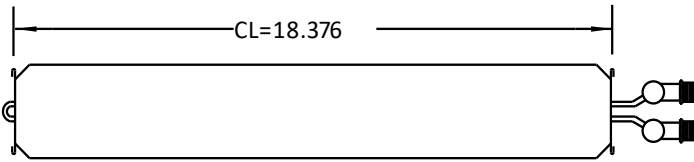
Emergent Coils, LLC ~ 855-264-5669

P#319/58BS-18X18-10-1WQR-B

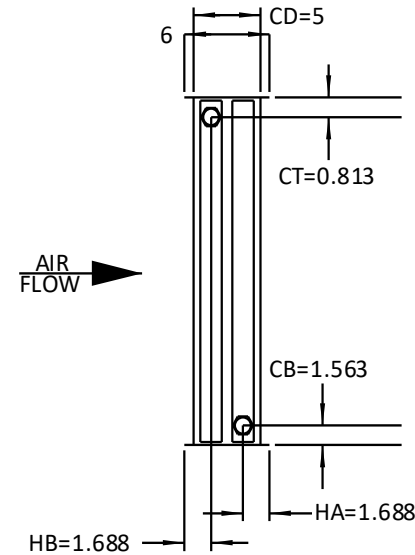
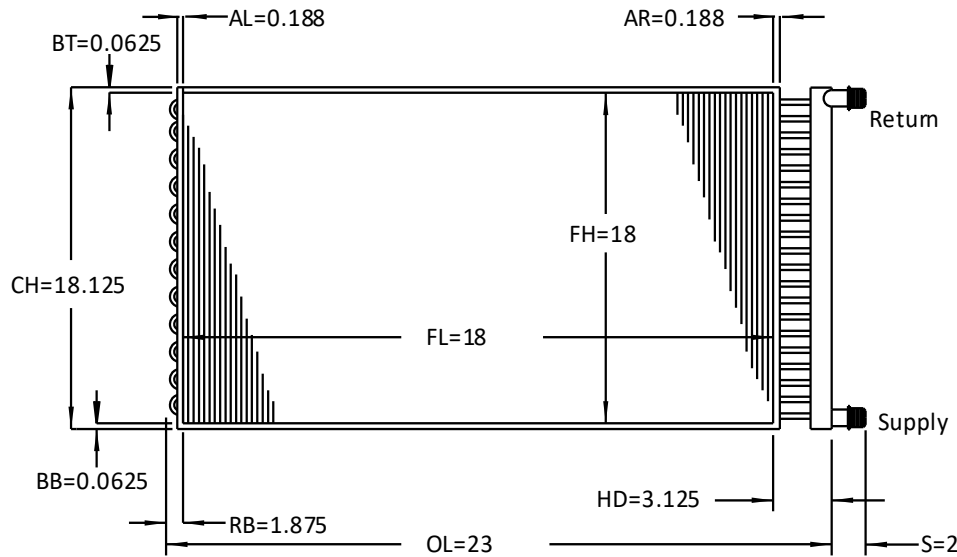
Sales@emergentcoils.com

Tag: Reheat Coil

Qty(1)



AIR FLOW



Fin Type: Waffle
Fin Material: Aluminum
Fin Thickness: .008
Rows/FPI: 1/10
Circuiting: 0
Tube Type: 5/8 Inch / Copper / Smooth
Tube Thickness: 0.020
Casing: Galv Gages: TS=18/ SP=18

Connection Material: Copper
Supply Connection Size: 1
Supply Header Dia.: 1.125
Return Connection Size: 1
Return Header Dia.: 1.125
Connection Type: MPT
App. weight (Uncrated each) : 17.5

Approximate Fluid Volume (Gal) : 0.4
Tube Sheet Flange Standard
Side Plate Flange: Stacking