

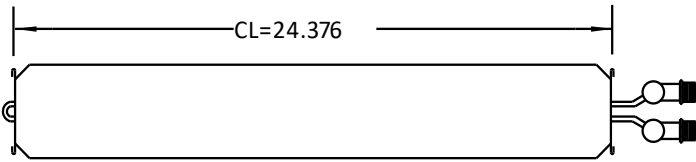
Emergent Coils, LLC ~ 855-264-5669

P#316/58BS-15X24-10-1WJR-A

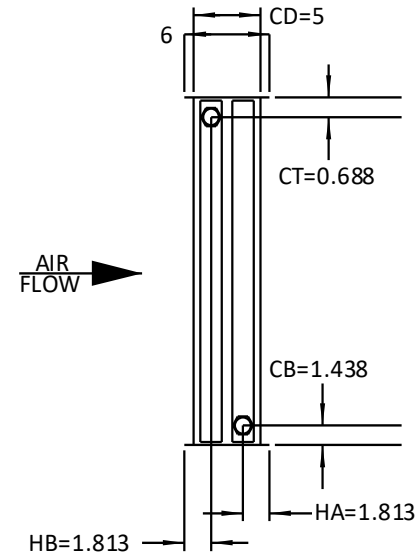
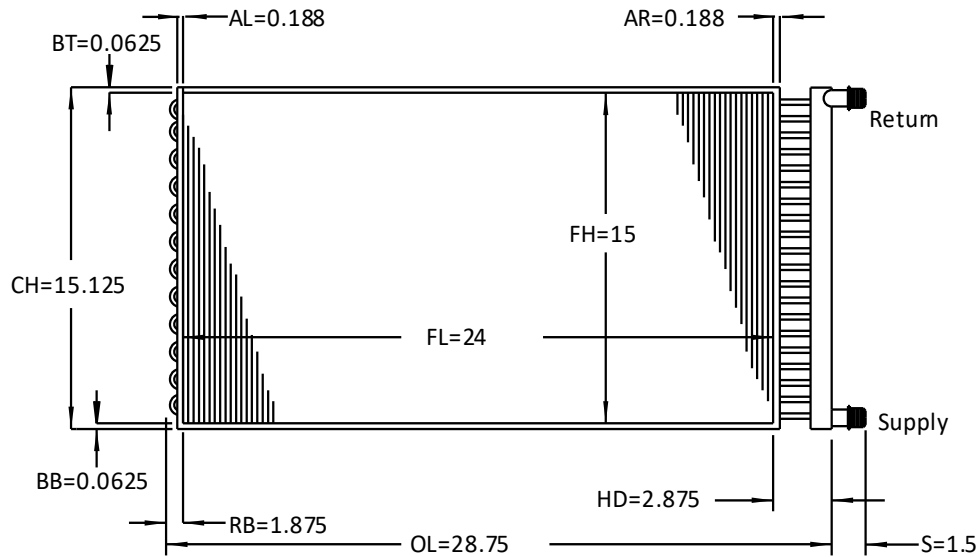
Sales@emergentcoils.com

Tag: Reheat Coil

Qty(1)



AIR FLOW ↑



Fin Type: Waffle
Fin Material: Aluminum
Fin Thickness: .008
Rows/FPI: 1/10
Circuiting: 0
Tube Type: 5/8 Inch / Copper / Smooth
Tube Thickness: 0.020
Casing: Galv Gages: TS=18/ SP=18

Connection Material: Copper
Supply Connection Size: 0.75
Supply Header Dia.: 0.875
Return Connection Size: 0.75
Return Header Dia.: 0.875
Connection Type: MPT
App. weight (Uncrated each) : 16.4

Approximate Fluid Volume (Gal) : 0.4
Tube Sheet Flange Standard
Side Plate Flange: Stacking