

# **GREYLINE** PERFORMANCE ANTENNAS



## **28 Foot DX Flagpole Antenna Assembly Guide**



**Greyline Performance**  
Holladay, Utah USA  
[flagpoleantennas@gmail.com](mailto:flagpoleantennas@gmail.com)  
Phone 435-200-4902

# ASSEMBLY INSTRUCTIONS

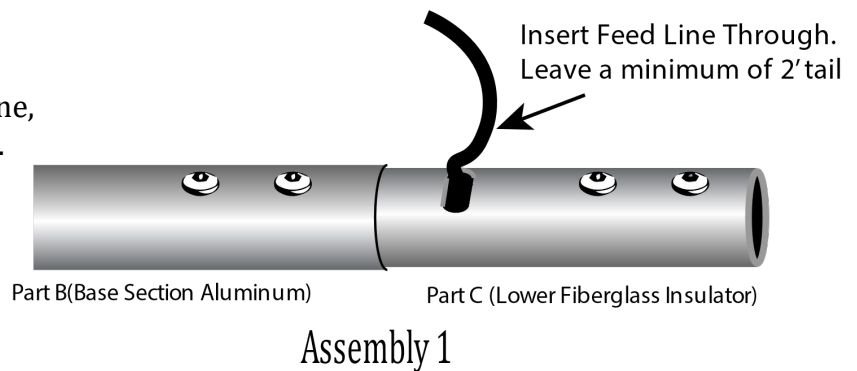
**Tools Required:** 5/32" Allen Wrench

## 1) Before you begin:

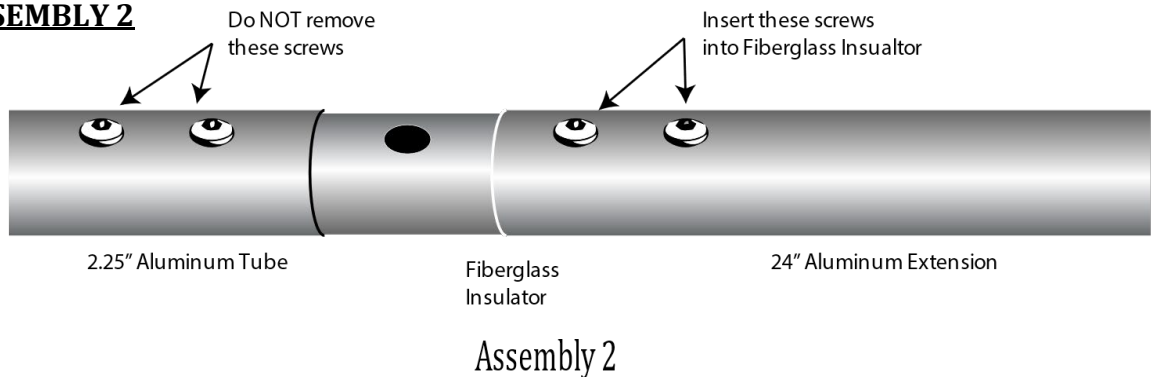
- Please take the time to carefully unpack all parts, noting the designations on each part (for example, "Assembly 1," "Assembly 2," etc...
- Dig a hole 48" deep and 12" diameter (or sized as required). Line the bottom of the hole with 6" of small gravel or sand.
- Place 2 ½" PVC ground sleeve into hole and fill outside of PVC with concrete to within 1" of top of ground sleeve. **IMPORTANT: Keep concrete out of ground sleeve.**
- Insert a pole section into the ground sleeve and use a level to make sure that the pole is completely vertical before concrete cures.
- Remove pole section and let concrete set at least 24 hours before proceeding with installation.

## 2) Locate ASSEMBLY 1

Locate ASSEMBLY 1 and insert Feed Line, As shown in diagram. Then, set it aside.



## 3) Locate ASSEMBLY 2

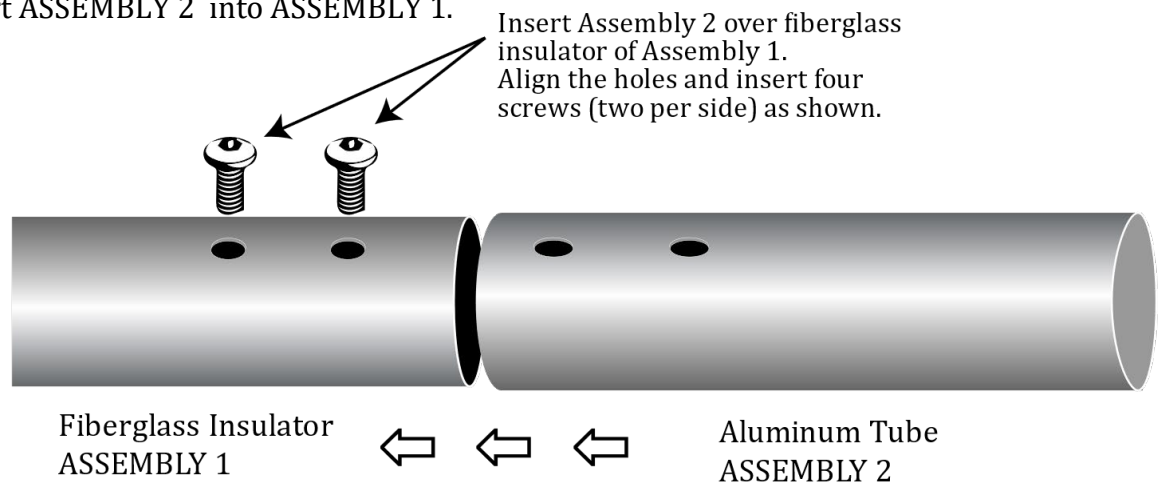


- Slide extension away from Aluminum Tube to expose Fiberglass Insulator. Align holes in Extension with holes in Fiberglass insulator and insert 4 screws (included in packaging)

## ASSEMBLY INSTRUCTIONS

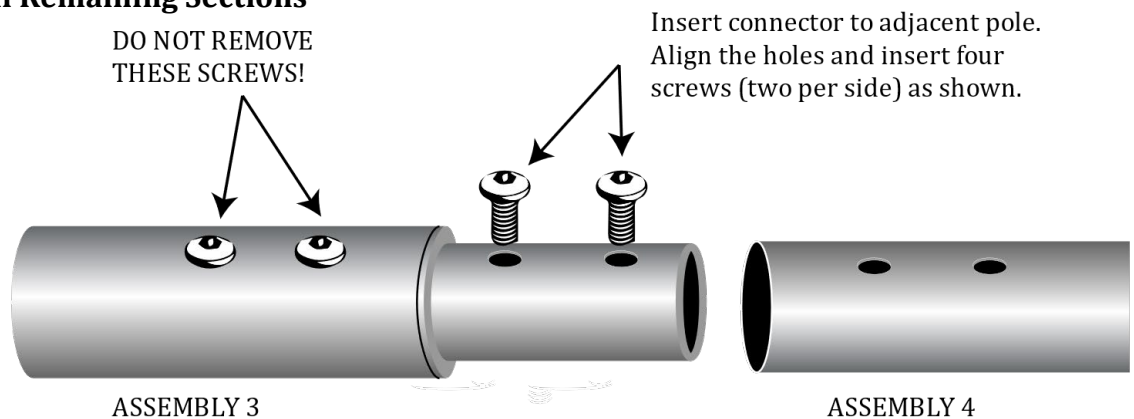
### 3) Assemble Sections 1 and 2:

- a) Insert ASSEMBLY 2 into ASSEMBLY 1.



- b) In the same manner, assemble sections 2 and 3.

### 4) Assemble All Remaining Sections



- a) Insert ASSEMBLY 3 into ASSEMBLY 4 as shown.
- b) In the same manner, Assemble all remaining sections.

### 5) Final Assembly:

- a) Using two people, lift mast and place into PVC Sleeve in ground.
- b) If desired, a "Cleat" (for tying Flag rope) can be installed into holes which have been pre-drilled in ASSEMBLY 2.

# ASSEMBLY INSTRUCTIONS

## **Greyline Performance**

Holladay, Utah USA

flagpoleantennas@gmail.com Phone

435-200-4902