

GREYLINE PERFORMANCE ANTENNAS



12/16/20/24 Foot DX Flagpole Antenna Assembly Guide



Greyline Performance
Holladay, Utah USA
flagpoleantennas@gmail.com
Phone 435-200-4902

ASSEMBLY INSTRUCTIONS

Tools Required: 5/32" Allen Wrench

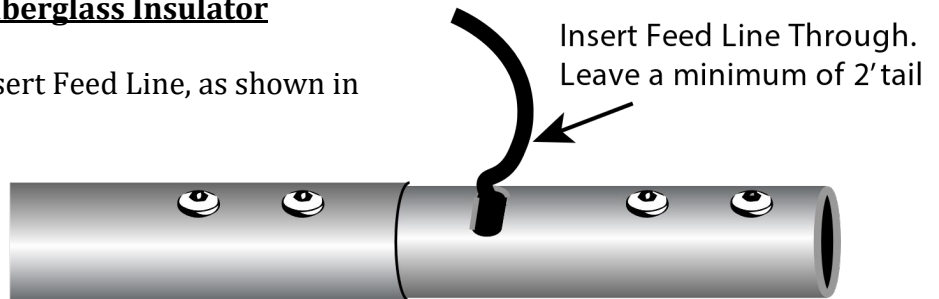
Assembly Instructions:

1.) Before you begin:

- a) Dig a hole 36" deep and 12" diameter (or sized as required). Line the bottom of the hole with 3-6" of small gravel or sand.
- b) Place PVC ground sleeve (A) into hole and fill outside of PVC with concrete to within 1" of top of ground sleeve. **IMPORTANT: Keep concrete out of interior of ground sleeve.**
- c) Insert a pole section into the ground sleeve and use a level to make sure that the pole is completely vertical before concrete cures.
- d) Remove pole section and let concrete set at least 24-48 hours before proceeding with installation.

2.) Install Feed through Lower Fiberglass Insulator

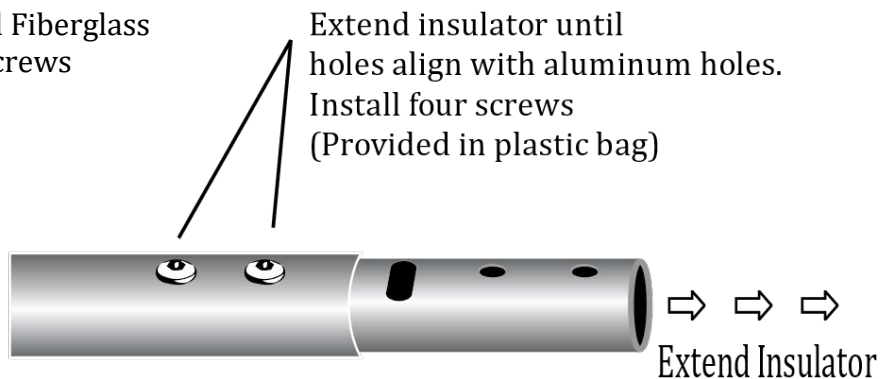
- a) Locate **ASSEMBLY 1** and insert Feed Line, as shown in diagram. Then, set it aside.



Assembly 1

3.) Attach Upper Fiberglass Insulator

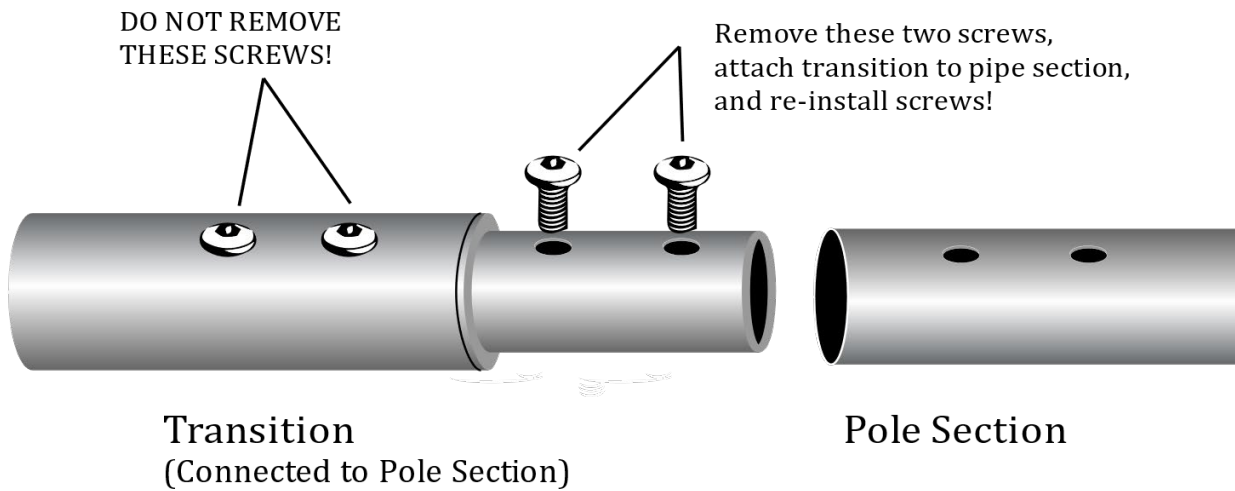
- a) Locate **ASSEMBLY 2**. Extend Fiberglass Insulator, and attach with screws provided.



Assembly 2

ASSEMBLY INSTRUCTIONS

4.) **Final Assembly:** Attach Assembly 1 to Assembly 2 as shown:



- a) Attach Assembly 2 to Assembly 3 in a similar manner.
- b) Attach Assembly 3 to Assembly 4/5/6 in a similar manner.
- c) **NOTE:** Depending on which model you have purchased, you may need to repeat step b (above) up to three times.
- d) Attach "Top Section"
- e) Using two people, lift mast and place into PVC Sleeve in ground.
- f) If desired, a "Cleat" (for tying Flag rope) can be installed into Assembly 3.

ASSEMBLY INSTRUCTIONS

Greyline Performance

Holladay, Utah USA

flagpoleantennas@gmail.com

Phone 435-200-4902