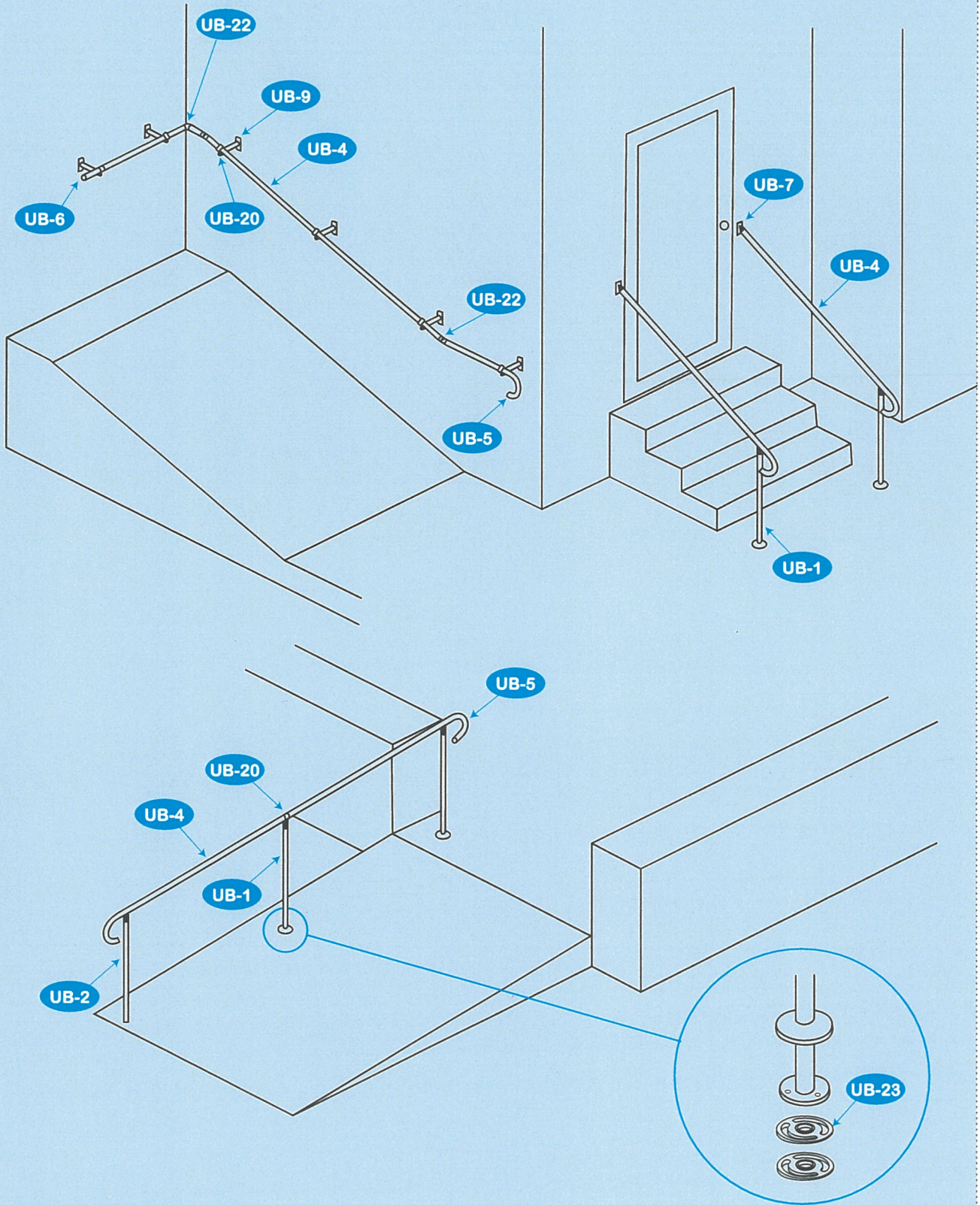


U-BUILD MODULAR HANDRAIL APPLICATION



Typical UB Application