



# RestEzy

Backrest Rail Combo Kits

Type 140

Ergonomically designed  
for strength and easy installation.

Suitable to use with Rail Combo Kits.

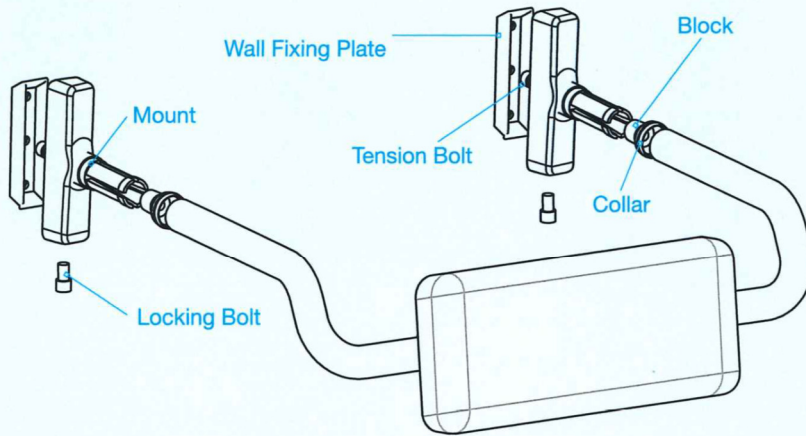
Made in Australia. Complies to AS1428.1



# RestEzy Backrest Rail Combo Kits

Type 140

ASSEMBLY DRAWING



Optional  
**VANDAL PROOF (VP)**  
Stainless Steel Backrest  
also available.

INSTALLATION

**STEP ONE:**

Mount Wall Fixing Plates.  
Refer Figure One.

**STEP TWO:**

Establish Measurement "A".  
Refer Figure Two.

**STEP THREE:**

Cut tube to match  
measurement "A".  
(Line marked on  
underside of tube)

**STEP FOUR:**

Follow Assembly Drawing.

Note:

Bolt needs to be tensioned to a  
torque setting of 80Nm

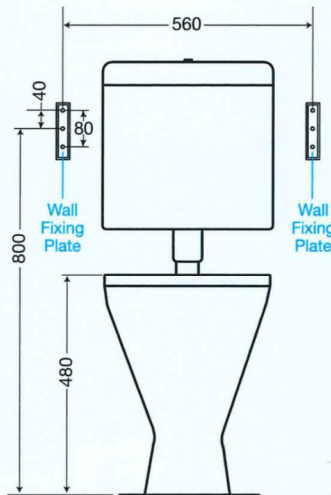


FIGURE ONE

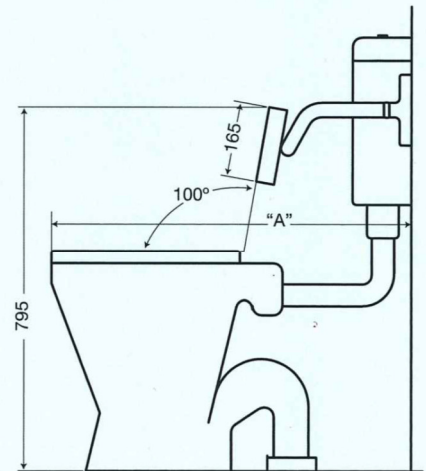
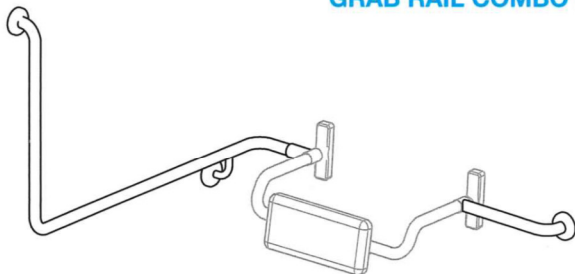


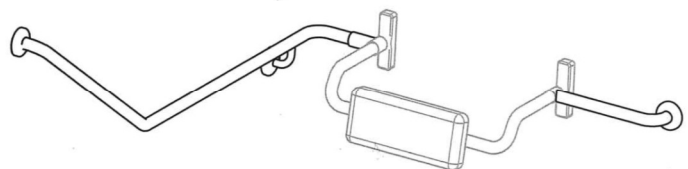
FIGURE TWO

**GRAB RAIL COMBO KITS AVAILABLE ON REQUEST:**



▲ **TYPE 140/137**

Right Hand Shown,  
Left Hand Available Also.



▲ **TYPE 140/133**

Right Hand Shown,  
Left Hand Available Also.



90b Northgate Drive, Thomastown. Vic 3074  
Phone: (03) 9466 3211  
Fax: (03) 9466 3200  
Email: sales@handrailindustries.com.au  
Web: www.handrailindustries.com.au