



# RestEzy

## Back Support

Type 139

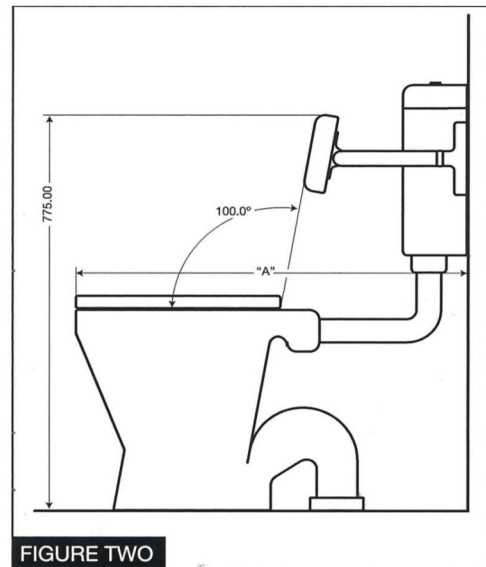
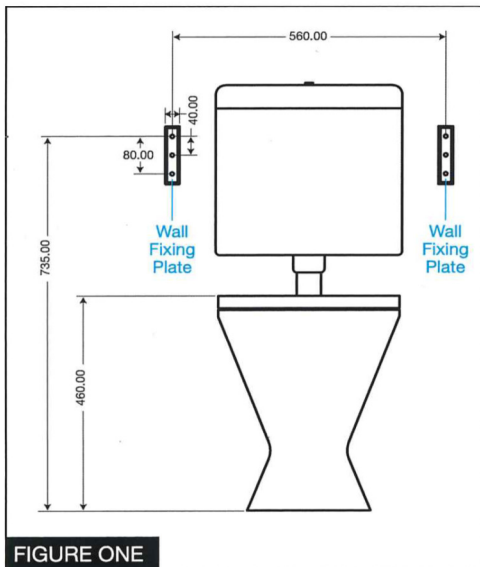
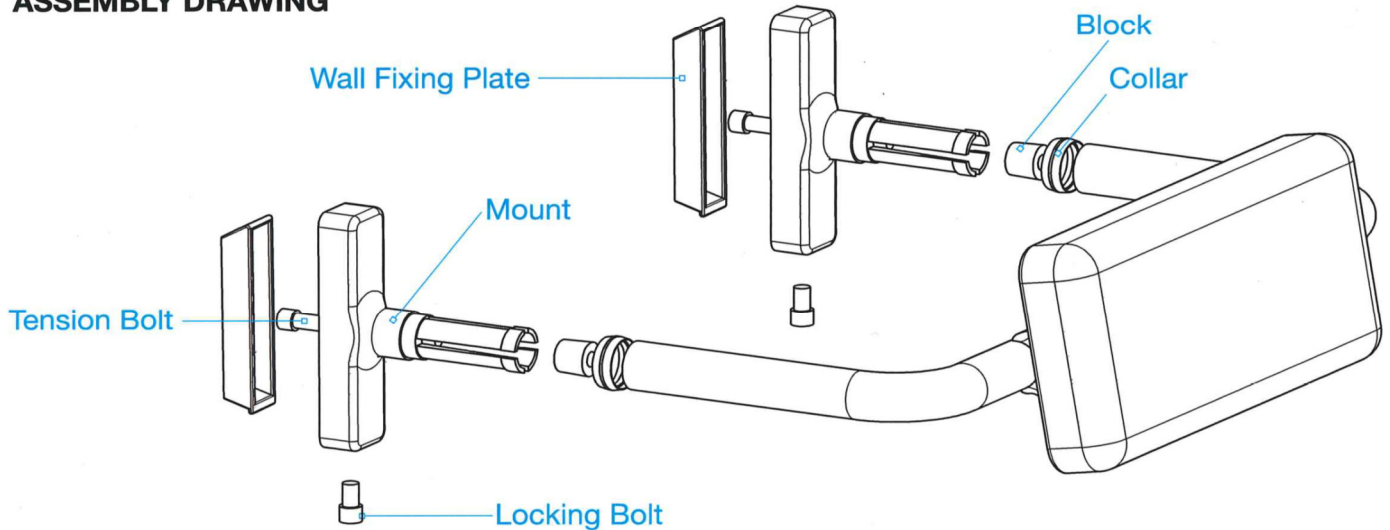
Modular design with adjustable depth to suit your requirements. Ergonomically designed for strength and easy installation.

Complies to AS1428.1

# RestEzy Back Support

Type 139

## ASSEMBLY DRAWING



- STEP ONE:** Mount Wall Fixing Plates. Refer Figure One.  
**STEP TWO:** Establish Measurement "A". Refer Figure Two.  
**STEP THREE:** Cut tube to match measurement "A".  
(Line marked on underside of tube)  
**STEP FOUR:** Follow Assembly Drawing.

*Note: Bolt needs to be tensioned to a torque setting of 80Nm*



90b Northgate Drive, Thomastown. Vic 3074  
Phone: (03) 9466 3211  
Fax: (03) 9466 3200  
Email: sales@handrailindustries.com.au  
Web: www.handrailindustries.com.au