



Installation Instructions

MODEL 522 - FOLDING SHOWER SEAT

AS1428.1 Compliant



Description:

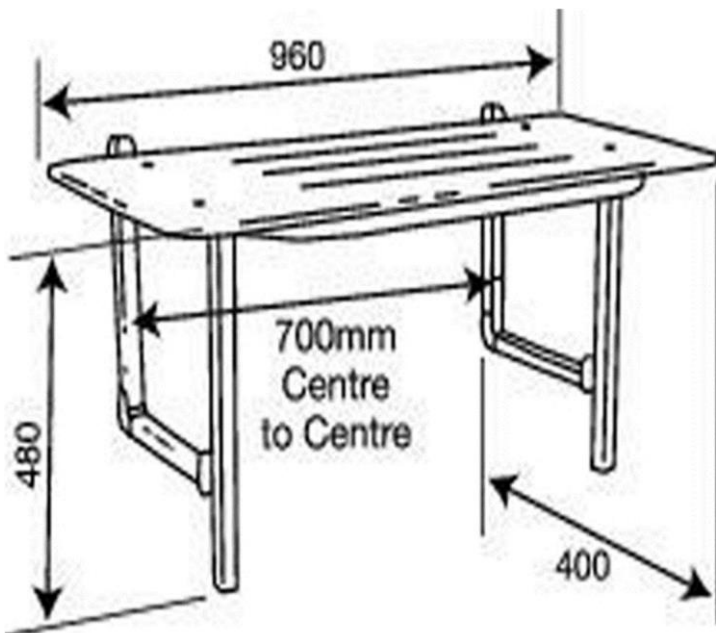
Foldup Shower Seat for disabled, aged care facilities and home assist use.

Size:

960mm wide with seat to finish 480mm AFL

Materials:

304 Grade Satin Stainless Steel leg and frame.
White Plastic Seat with drain slots.



To meet requirements of AS1428.1

1. Coach Screw fixings supplied are for timber stud / noggin fixing only.
2. Fixings to be able to withstand a force of 1100N applied at any position and in any direction.
3. If studs or noggins cannot be screwed in. Then a BMK bracket mounting kit is recommended to be used. This can be purchased as a separate product.
4. In the fold down position. Mark hole centers against wall, drill appropriate holes for substrate and supplied fasteners. Screw into timber studs or noggins.
5. It is highly recommended that this product should only be installed by a licensed builder or tradesperson.

Note: To the extent permitted by law Hand Rail Industries does not provide any warranty in relation to bolts, screws or other fasteners provided with HRI products. You should obtain appropriate advice from a licensed trade person before affixing or installing.

90B Northgate Drive Thomastown Vic. 3074

Phone: (03) 9466 3211

sales@handrailindustries.com.au

www.handrailindustries.com.au

Revised 08/22