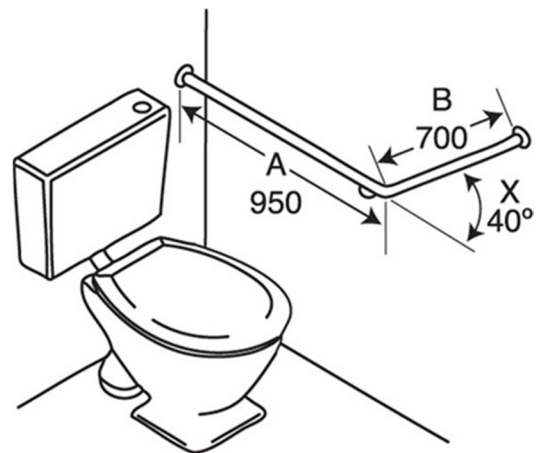




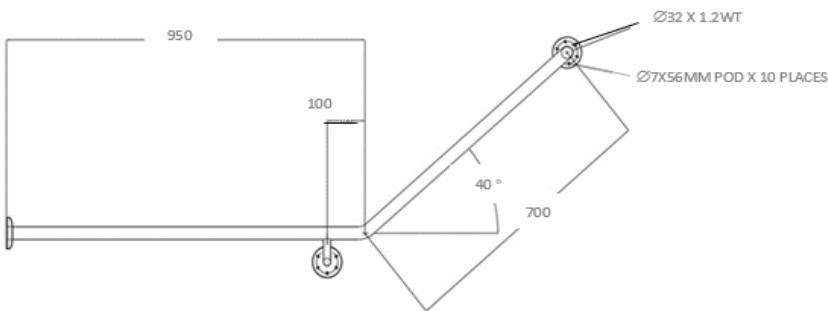
Installation Instructions

MODEL 84C32(C83) – TOILET GRAB RAIL

AS1428.1:2021 Compliant



LHS (as per diagram above),
85C32(C84) RHS (Opposite to diagram above)



Description:

Configured Grab Rail for use in toilet applications for disabled, aged care facilities and home assist use.

Size:

950mm Horizontal x 700mm Vertical x 40 Deg Rise.

Materials:

304 Grade Satin Stainless Steel Tubing.
76 x 3mm Concealed Flange

To meet requirements of AS1428.1:2021

1. Install at height of 800-820mm to top of rail from floor level.
2. Fixings needs to be able to withstand a force of 1100N applied at any position and in any direction.
3. Clearance between grabrail and the adjacent wall surface or obstruction shall be not less than 50mm or more than 60mm.

The wall to the inside of the rail is 55mm on standard Hand Rail Industries Rails.

Note: To the extent permitted by law Hand Rail Industries does not provide any warranty in relation to bolts, other fasteners provided with Hand Rail Industries products. You should obtain appropriate advice from a trade person before affixing or installing.

90B Northgate Drive Thomastown VIC 3074
Phone: (03) 9466 3211 Fax: (03) 9466 3200
Email: sales@handrailindustries.com.au
Web: www.handrailindustries.com.au