



# Installation Instructions

## MODEL 551 - FOLD UP RAIL

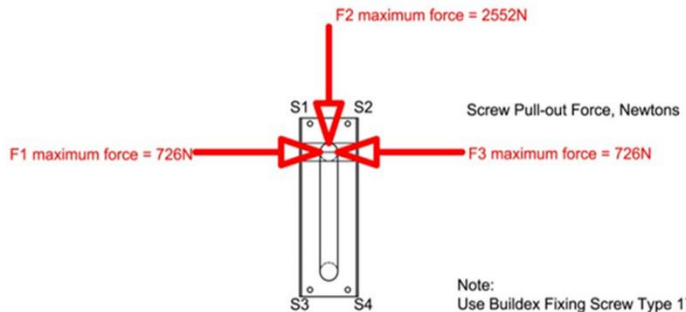
### Description:

Fold up Rail for use in toilet applications for disabled, aged care facilities and home assist use.

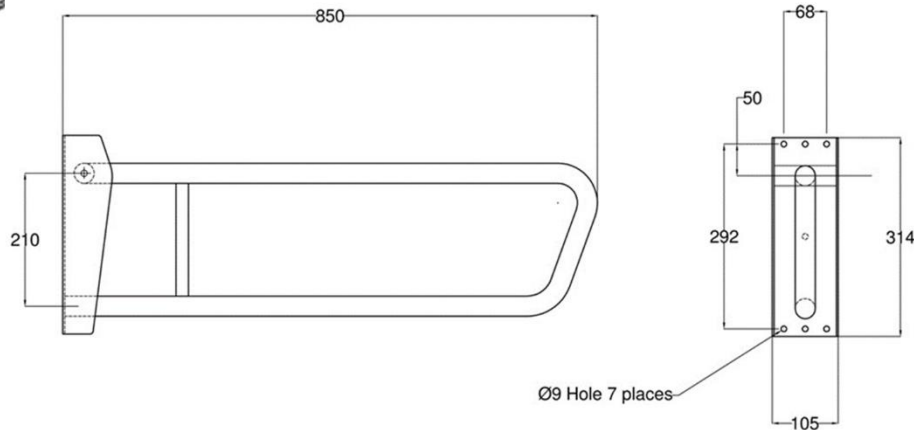
Size: 850mm length Plate size: 105mm x 314mm x 5mm

Materials: 304 Grade Satin Stainless Steel Tubing 32mm Diam

### Fitters Note:



Note:  
 Use Buildex Fixing Screw Type 17 10-12  
 Minimum screw embedment 25mm  
 Pull-out strength = 3500N  
 Locate fixing Screws at S1, S2, S3 & S4



### Models

551	Not handed	32mm 304 Grade Stainless Steel Fold up rail
551TRH		32mm 304 Grade Stainless Steel Fold up rail with Toilet Roll Holder

Note: To the extent permitted by law Hand Rail Industries does not provide any warranty in relation to bolts, screws or other fasteners provided with HRI products. You should obtain appropriate advice from a licensed trade person before affixing or installing.

90B Northgate Drive Thomastown Vic 3074  
 Phone: (03) 9466 3211  
 Email: [sales@handrailindustries.com.au](mailto:sales@handrailindustries.com.au)  
 web: [www.handrailindustries.com.au](http://www.handrailindustries.com.au)