



Shower Seat Type 522 is not included and is for display purposes only



Quality
ISO 9001



HAND RAIL INDUSTRIES

HomeAssist™

Mounting Kit For Shower Seats

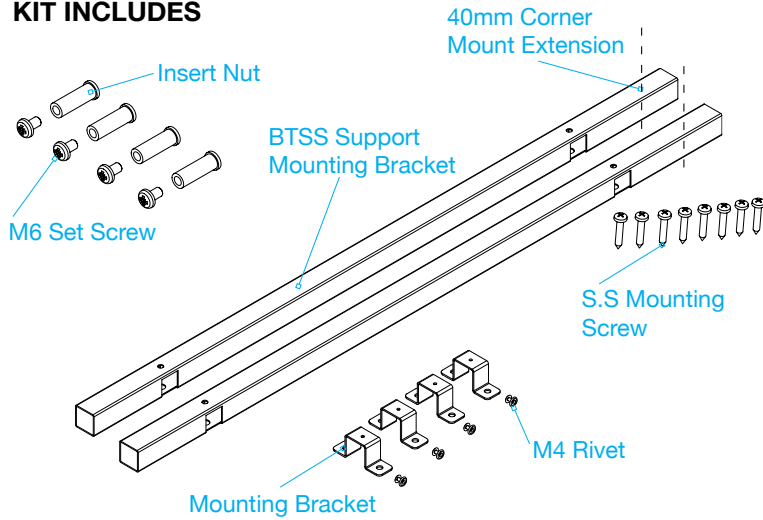
Easy and affordable solution to assist
with installation of Hand Rail Industries™
Shower Seats in wet areas.

Made from Stainless Steel. TGA Registered.

HomeAssist™

Mounting Kit for Shower Seats

KIT INCLUDES



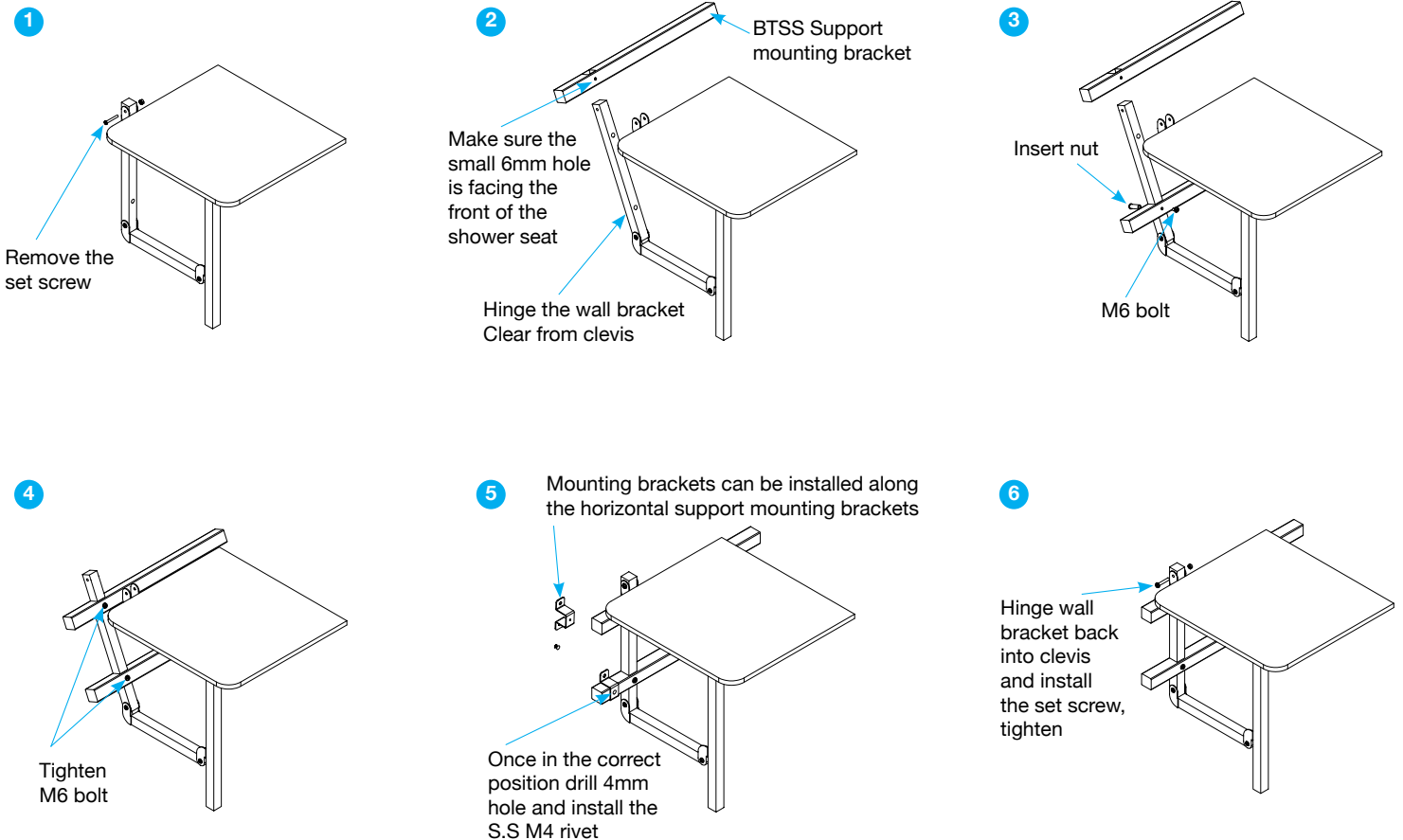
The Mounting Kit for Shower Seats is to assist in the installation of Hand Rail Industries™ Shower Seats where stud spacing may cause mounting issues.

Designed for installers, facility managers and home owners who recognise the requirement to place fixings on the wall stud for correct installation.

Use in conjunction with Hand Rail Industries™ Shower Seat as shown in 6 easy steps below. Suitable for corner mounting.

BRACKET MOUNTING KIT CODE	TO SUIT SHOWER SEAT
BTSS450BMK	TYPE 518
BTSS600BMK	TYPE 520
BTSS960BMK	TYPE 522

INSTALLATION AS BELOW



Quality
ISO 9001



Richbury Pty Ltd ABN 37 010 365 474 ACN 010 365 474
 90b Northgate Drive, Thomastown. Vic 3074
 Phone: (03) 9466 3211
 Fax: (03) 9466 3200
 Email: sales@handrailindustries.com.au
 Web: www.handrailindustries.com.au