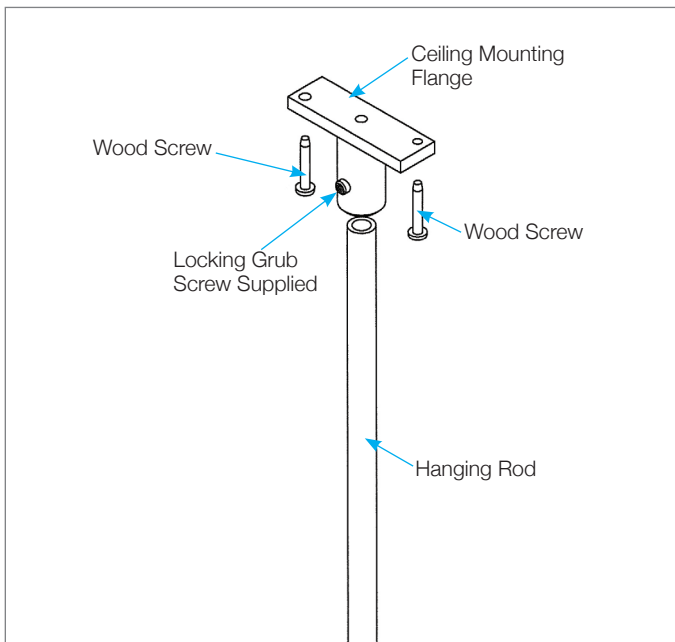


Shower Track

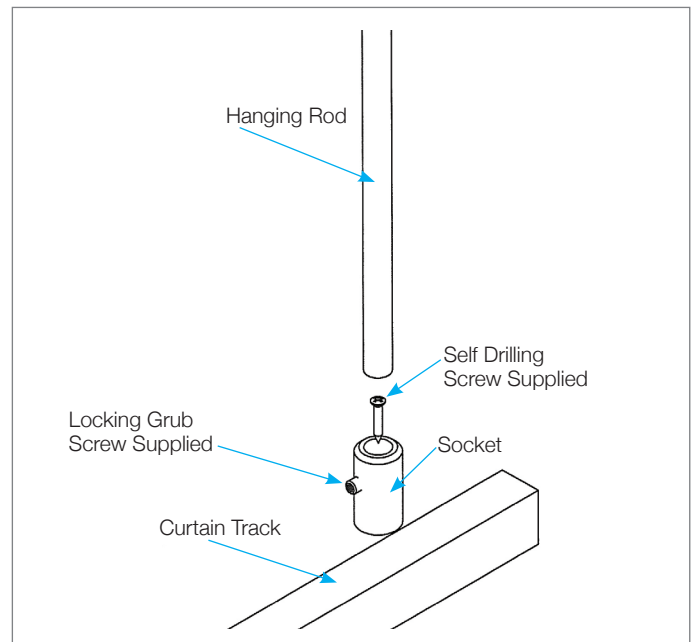
Mounting Instructions



CEILING SUPPORT – Ceiling Mount

- STEP 1:** Fasten the Ceiling Mounting Flange to the ceiling with screws
- STEP 2:** Insert the Hanging Rod and tighten Locking Grub Screw

Note: the Hanging Rod can be cut to length before inserting



CEILING SUPPORT – Track Mount

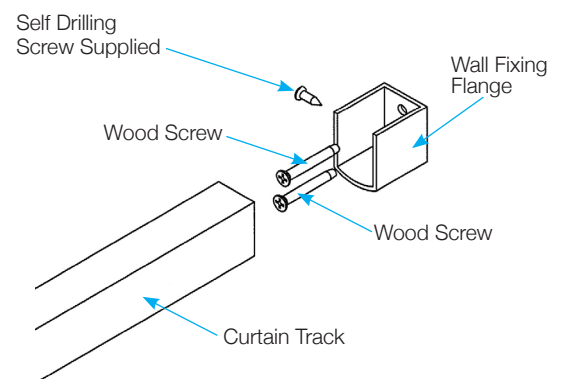
- STEP 1:** Fasten the Socket to the Curtain Track using the Self Drilling Screw
- STEP 2:** Insert the Hanging Rod and tighten Locking Grub Screw

WALL FIXING FLANGE

- STEP 1:** Fasten Wall Fixing Flange to the wall with screws
- STEP 2:** Insert the Curtain Track and lock in the Curtain Track with the Self Drilling Screw supplied

NOTE

- 4 x Self Drilling Metal Screws supplied
 - 1 for attaching the socket to the Curtain Track as shown above
 - 2 Self Drilling Screws are to secure the Track in the Wall Fixing Flanges, as shown on the right
 - 1 Self Drilling Screw is a spare
- Screws are not supplied for the Ceiling Mounting Flange or the Wall Fixing Flange, due to the unknown nature of the wall or ceiling substrate or construction, ie. timber, steel, tile, gyprock etc. all which require differing fastening methods



Shower Track Mounting Instructions

