



Technical Data Sheet

Model 551 - FOLD UP RAIL



Description:

Fold up Rail for use in toilet applications for disabled, aged care facilities and home assist use.

Size: 850mm length Plate size: 105mm x 314mm x 5mm

Materials: 304 Grade Satin Stainless Steel Tubing

Finishes Available: 32mm Diameter Tube

32mm Diameter 1428 Knurled

Mirror Polishing

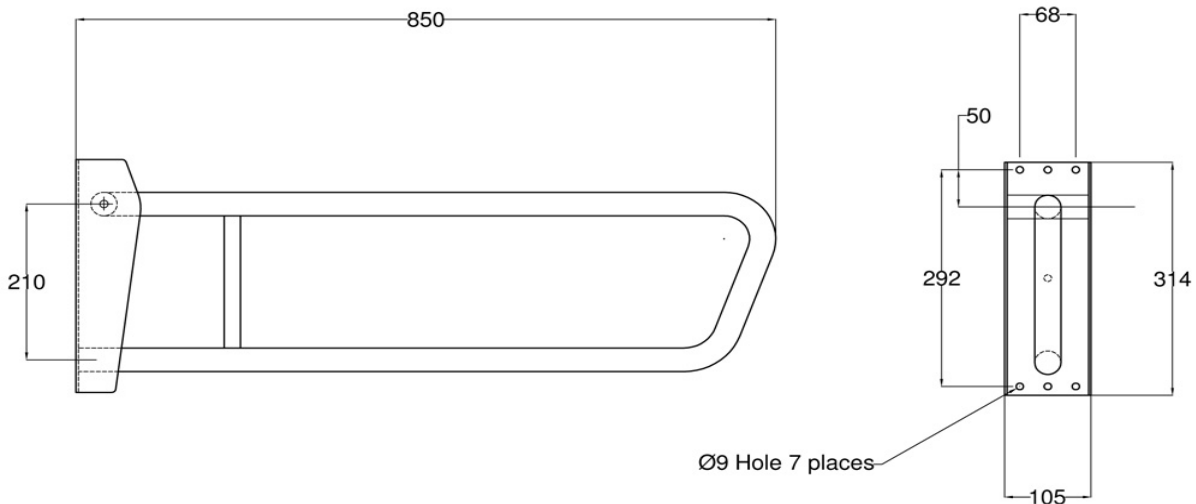


Note:

To the extent permitted by law Hand Rail Industries does not provide any warranty in relation to bolts, screws or other fasteners provided with HRI products. You should obtain appropriate advice from a licensed trade person before affixing or installing.

Models

551	Not handed 32mm 304 Grade No 4 Finish Stainless Steel Fold up rail
551TRH	32mm 304 Grade No 4 Finish Stainless Steel Fold up rail with Toilet



90B Northgate Drive Thomastown Vic. 3074

Phone: (03) 9466 3211

Email: sales@handrailindustries.com.au

www.handrailindustries.com.au