



# Installation Instructions

## MODEL 520 - FOLDING SHOWER SEAT



### Description:

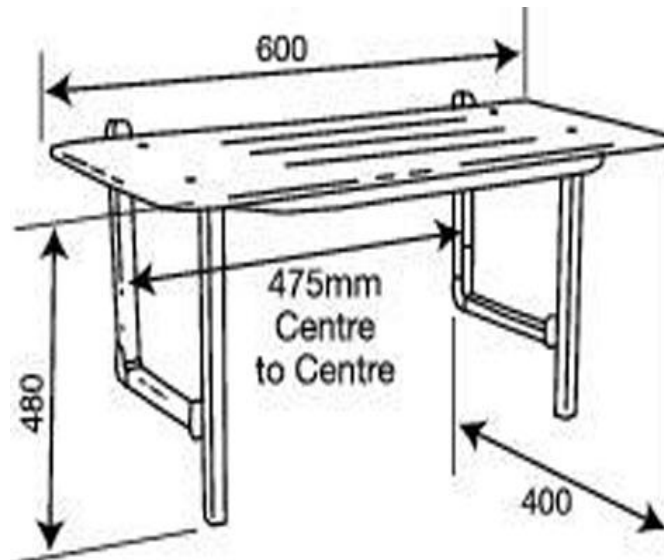
Foldup Shower Seat for disabled, aged care facilities and home assist use.

### Size:

600mm wide x 400mm Deep from wall with legs, seat to finish 480mm AFL  
Static Proof Load 130kg

### Materials:

304 Grade Satin Stainless Steel leg and frame.  
White Plastic Seat with drain slots.



**Note:** To the extent permitted by law Hand Rail Industries does not provide any warranty in relation to bolts, screws or other fasteners provided with HRI products. You should obtain appropriate advice from a licensed trade person before affixing or installing.

90B Northgate Drive Thomastown Vic. 3074

Phone: (03) 9466 3211

[sales@handrailindustries.com.au](mailto:sales@handrailindustries.com.au)

[www.handrailindustries.com.au](http://www.handrailindustries.com.au)

Revised 08/22