

# 138

## Product Specification

### Specification

Ergonomically designed for strength and easy installation.

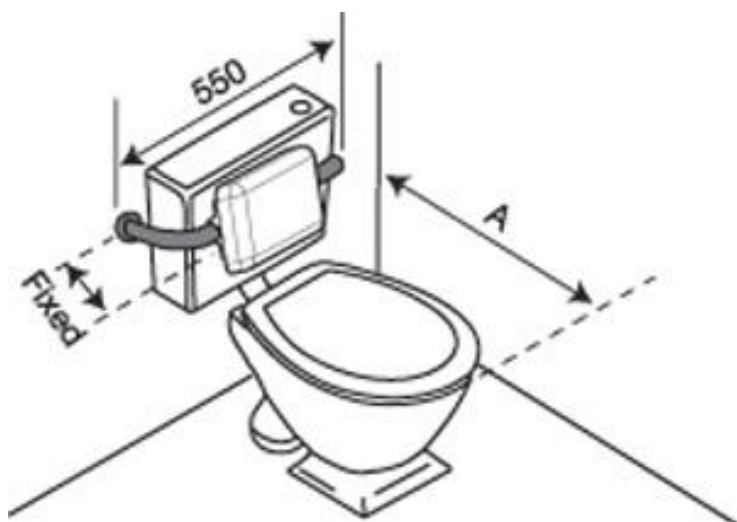
\*Made to order. Fixed Depth Note: measurement A to be supplied by customer, 32mm Diam Stainless Steel with Polyurethane Backrest Pad.

Made in Australia and conforms to AS1428.1.

Hand Rail Industries™ products are made to the highest standards and currently the only TGA registered grab rail manufacturer in Australia.

### Guarantee

Hand Rail Industries™ products are fully guaranteed against faulty workmanship and material defects subject to normal wear and tear of the product for a period of 5 years.



## **HAND RAIL INDUSTRIES**

90B Northgate Drive, Thomastown. Vic. 3074

Phone: (03) 9466 3211 | Fax: (03) 9466 3200

Email: [sales@handrailindustries.com.au](mailto:sales@handrailindustries.com.au) |

Web: [www.handrailindustries.com.au](http://www.handrailindustries.com.au)