

# 100C32/101C32

## Product Specification

### Specification

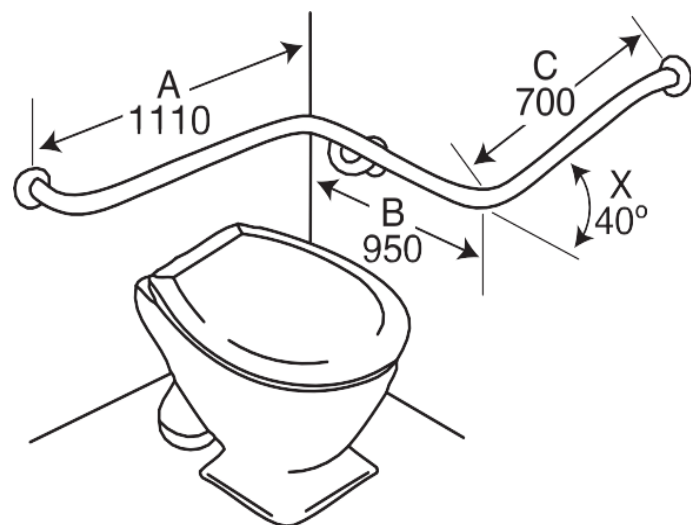
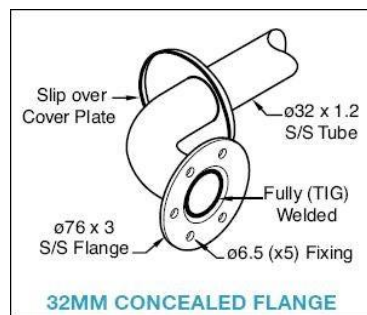
Fully welded construction in grade 304 stainless steel tube, 32mm diameter. Slip resistant Satin Stainless Steel with flange covers. Easy to install on most building surfaces designed for maximum strength and user confidence. Length 1110 x 950mm x 700mm rail 40 degree angled. WC one piece Grab Rail is designed for concealed cistern toilets and conforms to AS1428.1:2021. Hand Rail Industries™ products are made to the highest standards and currently the only TGA registered Grab Rail manufacturer in Australia.

### Options

Polished stainless steel, powder coated, 1428 knurled finish. Also available in Clean Seal flange system and Exposed Fix.

### Guarantee

Hand Rail Industries™ products are fully guaranteed against faulty workmanship and material defects subject to normal wear and tear of the product for a period of 5 years.



*Left Hand Image Shown  
101C Right Hand Opposite to shown*



## **HAND RAIL INDUSTRIES**

90B Northgate Drive, Thomastown. Vic 3074

Phone: (03) 9466 3211 | Fax: (03) 9466 3200

Email: [sales@handrailindustries.com.au](mailto:sales@handrailindustries.com.au) | Web: [www.handrailindustries.com.au](http://www.handrailindustries.com.au)