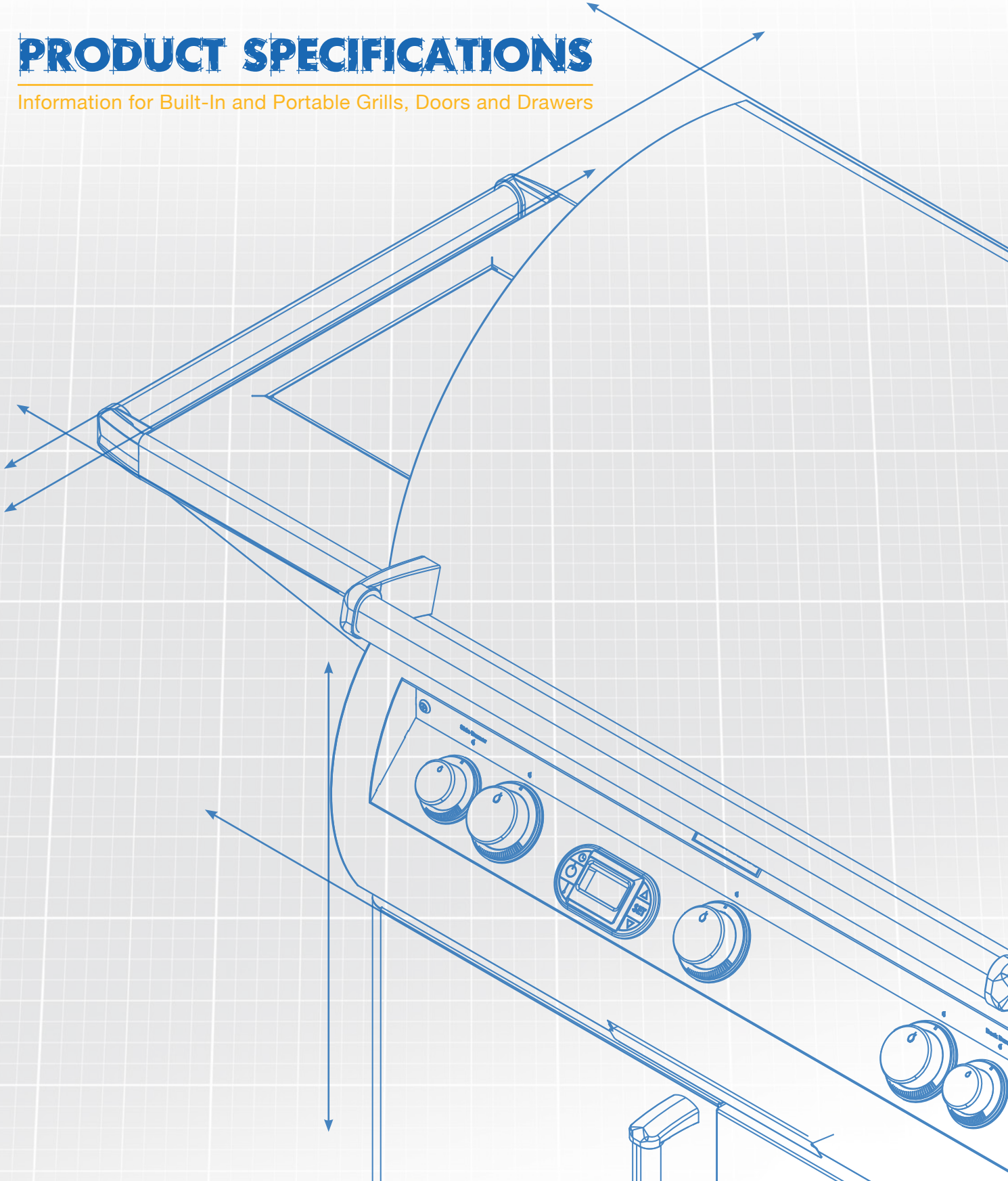




BUILT WITH PASSION.  
OWNED WITH PRIDE.

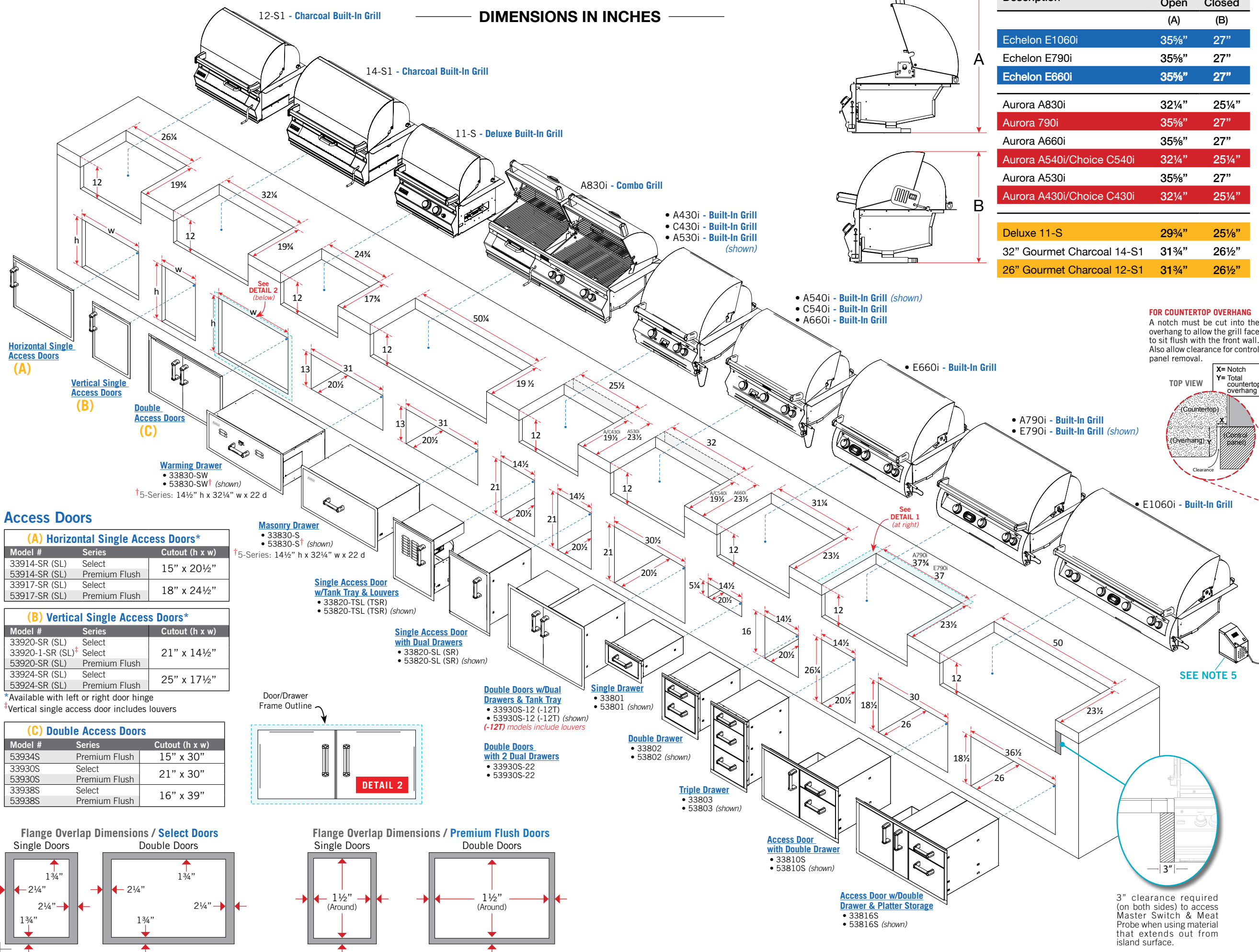
# PRODUCT SPECIFICATIONS

Information for Built-In and Portable Grills, Doors and Drawers



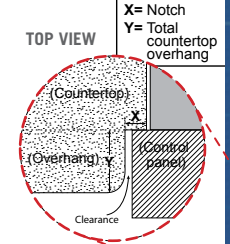


**DIMENSIONS IN INCHES**



Description	Hood Open	Hood Closed
	(A)	(B)
Echelon E1060i	35 <sup>5</sup> / <sub>8</sub> "	27"
Echelon E790i	35 <sup>5</sup> / <sub>8</sub> "	27"
Echelon E660i	35 <sup>5</sup> / <sub>8</sub> "	27"
Aurora A830i	32 <sup>1</sup> / <sub>4</sub> "	25 <sup>1</sup> / <sub>4</sub> "
Aurora 790i	35 <sup>5</sup> / <sub>8</sub> "	27"
Aurora A660i	35 <sup>5</sup> / <sub>8</sub> "	27"
Aurora A540i/Choice C540i	32 <sup>1</sup> / <sub>4</sub> "	25 <sup>1</sup> / <sub>4</sub> "
Aurora A530i	35 <sup>5</sup> / <sub>8</sub> "	27"
Aurora A430i/Choice C430i	32 <sup>1</sup> / <sub>4</sub> "	25 <sup>1</sup> / <sub>4</sub> "
Deluxe 11-S	29 <sup>3</sup> / <sub>4</sub> "	25 <sup>5</sup> / <sub>8</sub> "
32" Gourmet Charcoal 14-S1	31 <sup>3</sup> / <sub>4</sub> "	26 <sup>1</sup> / <sub>2</sub> "
26" Gourmet Charcoal 12-S1	31 <sup>3</sup> / <sub>4</sub> "	26 <sup>1</sup> / <sub>2</sub> "

**FOR COUNTERTOP OVERHANG**  
A notch must be cut into the overhang to allow the grill face to sit flush with the front wall. Also allow clearance for control panel removal.



**OUTDOOR KITCHEN CONSIDERATIONS**

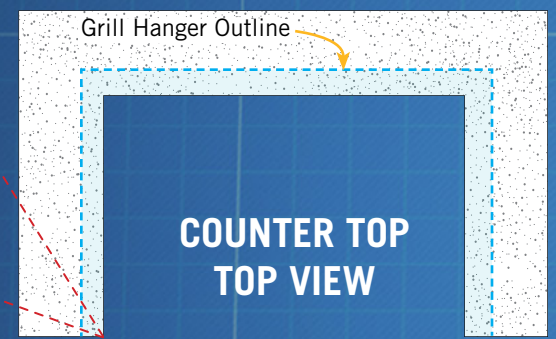
- Carefully consider grill size & accessories needed
- Combustible construction requires insulating liner
- Select Natural or Propane (LP gas)
- Determine total gas consumption for supply line size
- Access is required to gas connections and shut off valve
- Plan location of propane tank away from grill and appliances
- Always refer to the installation and operating instructions of your Fire Magic grill and/or accessories for installation guidelines & safety warnings before starting your project
- Always check all gas connections for leaks
- Provide ventilation in island for gas vapors. Allow at least four ventilation openings (two at floor level and two 16" above floor 10 in<sup>2</sup> each) at opposing ends/sides

**LOCATION**

- Identify outdoor area where grill will be installed
- Determine the utilities needed (gas, water, electricity, drainage etc.)
- Consider element exposure (sun, wind direction\*, weather etc.)
- \*Wind blowing into or across the rear oven lid vent can cause poor performance and/or dangerous overheating. Orient the grill so that the prevailing wind blows toward the front of the grill.

**MATERIALS**

- Foundation - concrete
- Base- brick, stone, stucco, concrete
- Counter top- tile, granite, marble, concrete



Grill hanger varies in width (2<sup>1</sup>/<sub>2</sub>"-3") depending on the size & configuration of the grill.

**Notes**

- There is a hanger on three sides of each grill. You must allow clearance for the hanger (SEE DETAIL 1).
- The control panel (face) of the grills is wider than the cutout width. This conceals the cutout space on the left & right hand sides.
- Clearance of 10" on each side of the oven is recommended for unrestricted operation of lid and rotisserie and at least 3" at the rear flange for ease of maintenance and proper operation. (18" from combustible surroundings on each side and rear is required)
- Insulating liners must be used & are available for combustible surrounds (See page 6).
- The rotisserie motor on all models is located on the right side of the grill. Optional Reverse Brackets are available to mount rotisserie motor on opposite side. ONLY units ordered with back burner option come with rotisserie kit and brackets.

**Access Doors**

**(A) Horizontal Single Access Doors\***

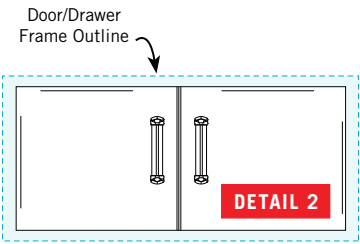
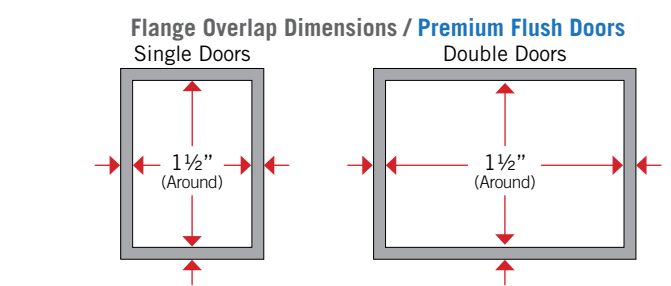
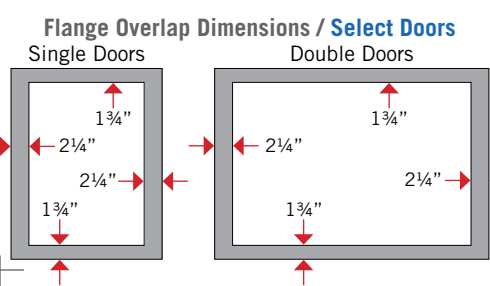
Model #	Series	Cutout (h x w)
33914-SR (SL)	Select	15" x 20 <sup>1</sup> / <sub>2</sub> "
53914-SR (SL)	Premium Flush	15" x 20 <sup>1</sup> / <sub>2</sub> "
33917-SR (SL)	Select	18" x 24 <sup>1</sup> / <sub>2</sub> "
53917-SR (SL)	Premium Flush	18" x 24 <sup>1</sup> / <sub>2</sub> "

**(B) Vertical Single Access Doors\***

Model #	Series	Cutout (h x w)
33920-SR (SL)	Select	21" x 14 <sup>1</sup> / <sub>2</sub> "
33920-1-SR (SL)†	Select	21" x 14 <sup>1</sup> / <sub>2</sub> "
53920-SR (SL)	Premium Flush	21" x 14 <sup>1</sup> / <sub>2</sub> "
33924-SR (SL)	Select	25" x 17 <sup>1</sup> / <sub>2</sub> "
53924-SR (SL)	Premium Flush	25" x 17 <sup>1</sup> / <sub>2</sub> "

**(C) Double Access Doors**

Model #	Series	Cutout (h x w)
53934S	Premium Flush	15" x 30"
33930S	Select	21" x 30"
53930S	Premium Flush	21" x 30"
33938S	Select	16" x 39"
53938S	Premium Flush	16" x 39"

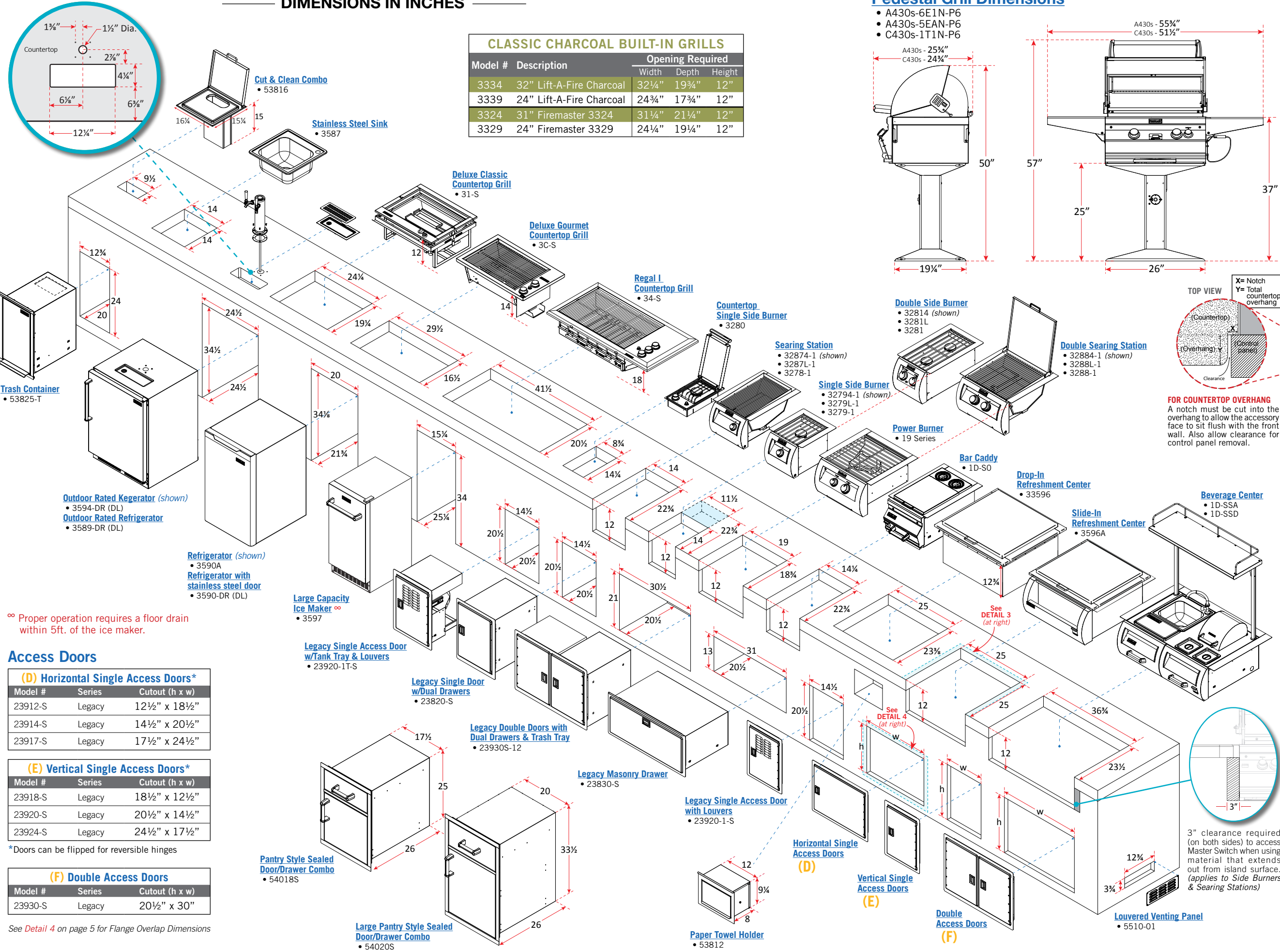


3" clearance required (on both sides) to access Master Switch & Meat Probe when using material that extends out from island surface.

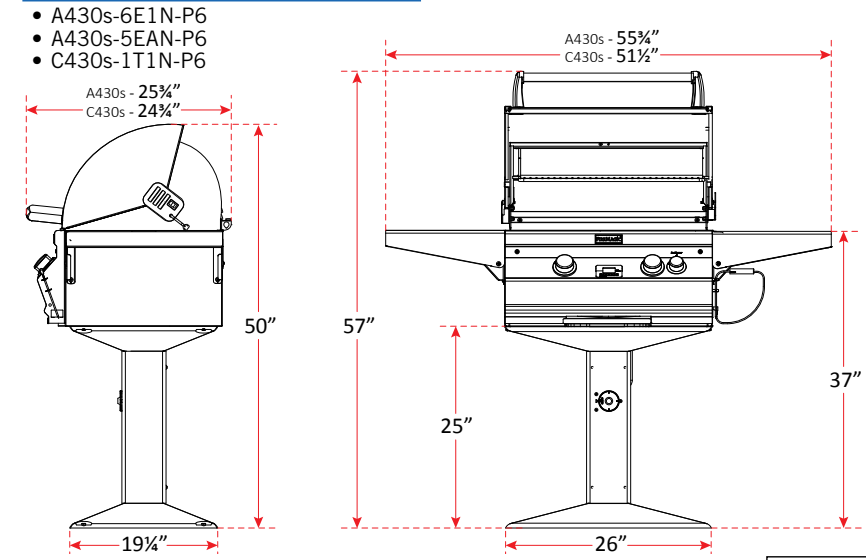


**BUILT-IN KEGERATOR ONLY**

**DIMENSIONS IN INCHES**



**Pedestal Grill Dimensions**

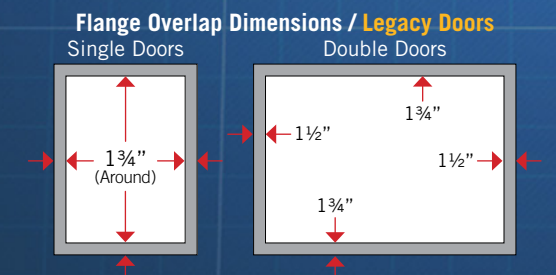
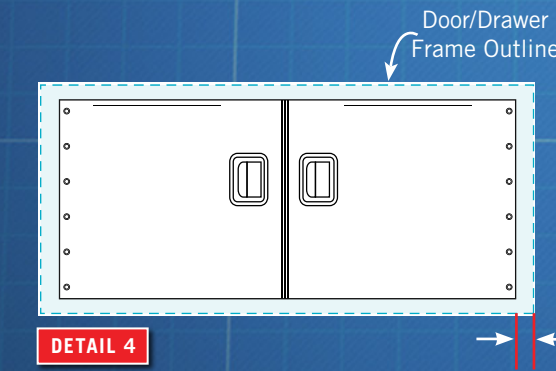


**Notes**

1. There is a hanger on three sides of the grill (SEE DETAIL 3).
2. The control panel (face) of the accessories is **wider** than the cutout width, this conceals the cutout space on the left & right hand sides.
3. Clearance of 10" on each side, and 3" at the rear of the oven is recommended for unrestricted operation of accessories. (18" from combustible surroundings on each side and rear)
4. Insulating liners must be used and are available for combustible surrounds. Double Side burner (3281), Single Side burner (3279-1) and Drop-In Side burner (3280) do not require an insulating liner (See page 6).



**FOR COUNTERTOP OVERHANG**  
A notch must be cut into the overhang to allow the accessory face to sit flush with the front wall. Also allow clearance for control panel removal.



∞ Proper operation requires a floor drain within 5ft. of the ice maker.

**Access Doors**

**(D) Horizontal Single Access Doors\***

Model #	Series	Cutout (h x w)
23912-S	Legacy	12½" x 18½"
23914-S	Legacy	14½" x 20½"
23917-S	Legacy	17½" x 24½"

**(E) Vertical Single Access Doors\***

Model #	Series	Cutout (h x w)
23918-S	Legacy	18½" x 12½"
23920-S	Legacy	20½" x 14½"
23924-S	Legacy	24½" x 17½"

**(F) Double Access Doors**

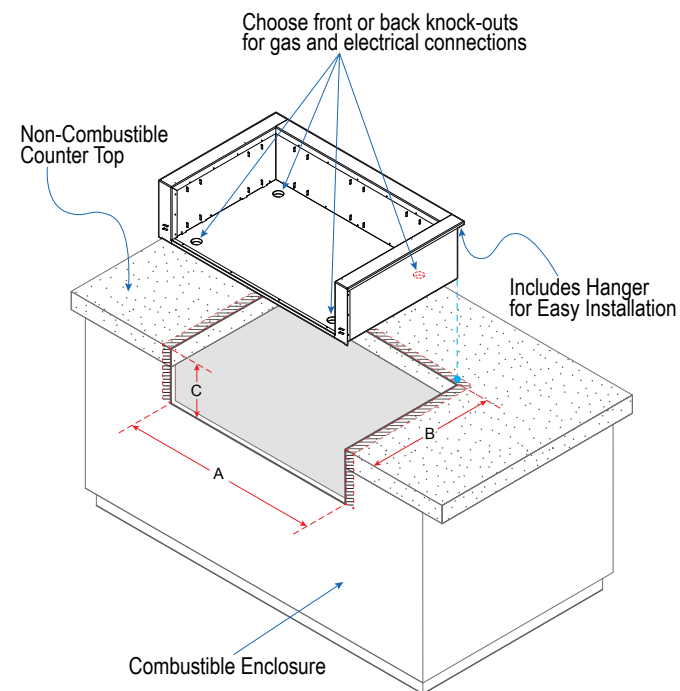
Model #	Series	Cutout (h x w)
23930-S	Legacy	20½" x 30"

\*Doors can be flipped for reversible hinges

See Detail 4 on page 5 for Flange Overlap Dimensions

**INSULATING LINER MUST BE USED WHEN INSTALLING IN A COMBUSTIBLE ISLAND**

Not used on Double Sideburner (3281), Single Sideburner (3279-1) or Drop-In Sideburner (3280)



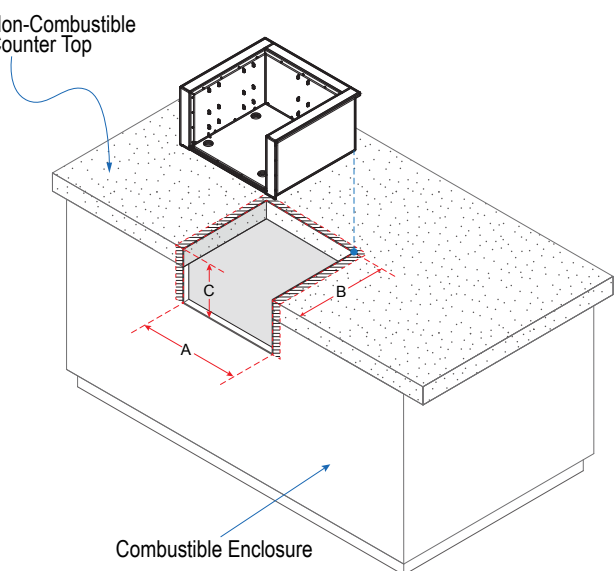
**INSULATING LINER CUT-OUT DIMENSIONS (ECHELON, AURORA & CHOICE GRILLS)**

Grill Model	Insulating Liner Part #	Opening Required		
		Width (A)	Depth (B)	Height (C)
Echelon E1060i	3185-51	55¼"	26¼"	12¼"
Echelon E790i	3186-51	42½"	26¼"	12¼"
Echelon E660i	3176-51	37"	26¼"	12¼"
Aurora A790i	3186-51	42½"	26¼"	12¼"
Aurora A660i	3176-51	37"	26¼"	12¼"
Aurora A540i	23150-51	37"	22¼"	12¼"
Aurora A530i	23125-51	30⅝"	26¼"	12¼"
Aurora A430i	23130-51	30⅝"	22¼"	12¼"
Choice C540i	23150-51	37"	22¼"	12¼"
Choice C430i	23130-51	30⅝"	22¼"	12¼"

*To install and operate the Fire Magic® outdoor gas appliance, please refer to the Installation and Operating instructions and safety precautions shipped with the appliance.*

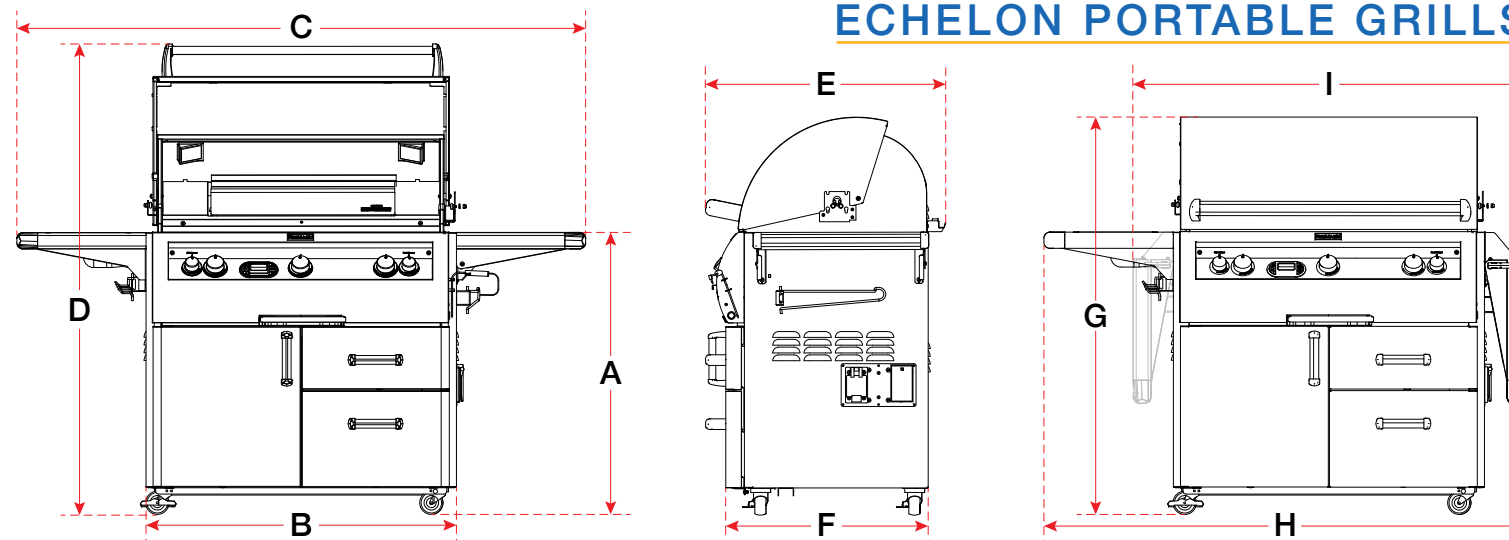
**INSULATING LINER CUT-OUT DIMENSIONS (LEGACY & ACCESSORIES)**

Product Model	Insulating Liner Part #	Opening Required		
		Width (A)	Depth (B)	Height (C)
Deluxe	3100-51	28⅝"	19¾"	12¼"
Power Burner	3278-51	23"	21⅛"	12¼"
Searing Station	3287-51	18½"	25"	12"



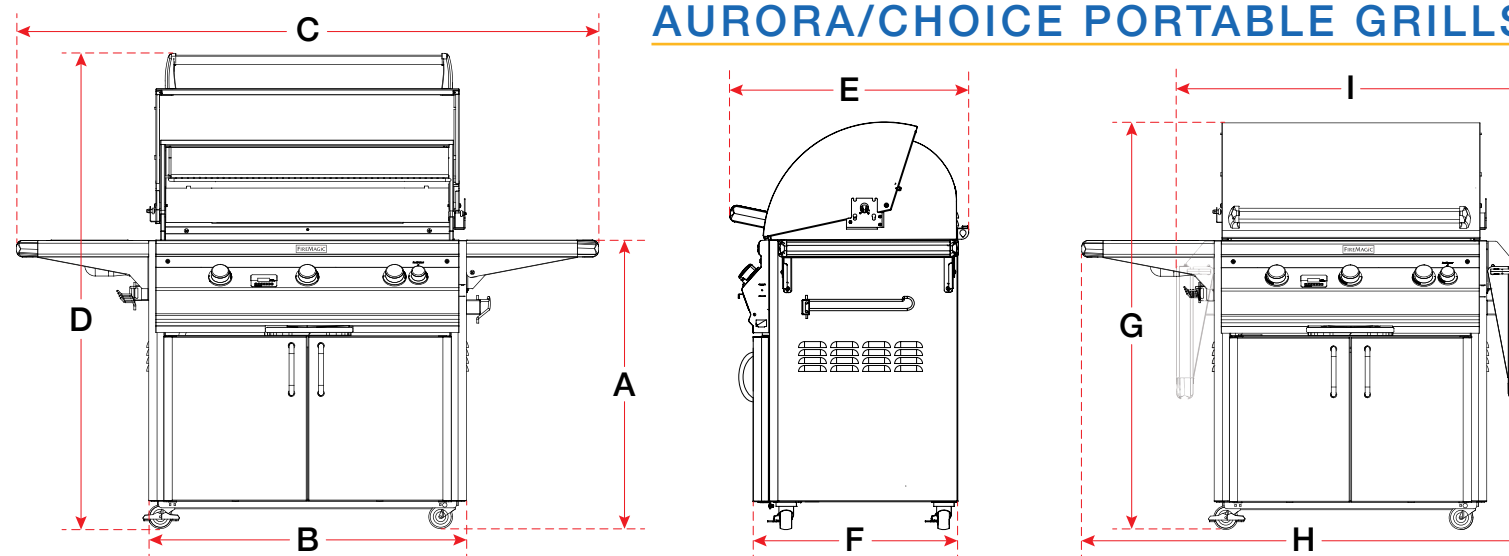
**The information provided is for reference only. Detailed instructions are supplied with the insulation liner, unique to the model selected. Read those instructions carefully and completely before starting installation of the liner.**

**ECHELON PORTABLE GRILLS**



Grill Model #	Series	Top of Shelf height	Cart Base width	Shelves Up width	Oven Open height	Max Outer depth	Cart Base depth	Oven Closed height	1-Up/1-Down width	Shelves Down width
		(A)	(B)	(C)	(D)	(E)	(F)	(G)	(H)	(I)
E1060s	62	37"	53"	92¼"	60⅝"	29¾"	26"	52"	69¾"	n/a
E1060s	51	37"	77¾"	117"	60⅝"	29¾"	26"	52"	96¾"	n/a
E790s	62	37"	40"	79¼"	60⅝"	29¾"	26"	52"	62¾"	n/a
E790s	71	37"	58¾"	98"	60⅝"	29¾"	26"	52"	83¾"	n/a
E660s	62	37"	34¼"	73½"	60⅝"	29¾"	26"	52"	59"	n/a
E660s	71	37"	53"	92¼"	60⅝"	29¾"	26"	52"	80"	n/a

**AURORA/CHOICE PORTABLE GRILLS**

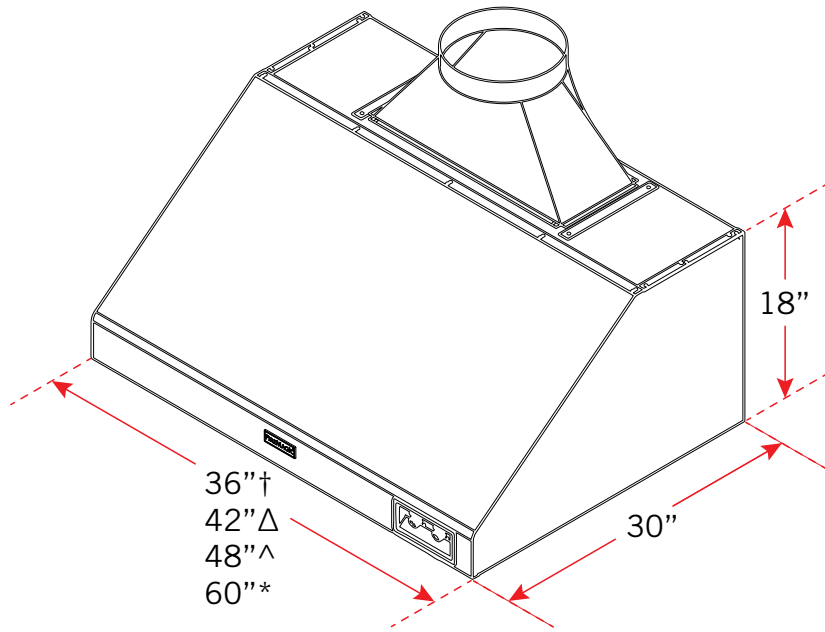


Grill Model #	Series	Top of Shelf height	Cart Base width	Shelves Up width	Oven Open height	Max Outer depth	Cart Base depth	Oven Closed height	1-Up/1-Down width	Shelves Down width
		(A)	(B)	(C)	(D)	(E)	(F)	(G)	(H)	(I)
A660s	61/62	37"	32½"	62¼"	60⅝"	29¾"	26"	52"	52"	41½"
A540s	61/62	37"	32½"	62¼"	57¼"	25¾"	21¾"	50"	52"	41½"
C540s	96	36½"	33"	58"	57"	24¾"	22"	50"	n/a	n/a
A430s	61/62	37"	26"	55¾"	57¼"	25¾"	21¾"	50"	45½"	35¼"
C430s	96	36½"	26½"	51½"	57"	24¾"	22"	50"	n/a	n/a
A830s	61	37"	50¾"	80¾"	57"	28¾"	21¾"	50"	70¾"	61¼"

\*Measurement includes crank.



# VENT HOOD



## SPECIFICATIONS

<b>Electrical Requirements</b>	120 volts, 60 hertz, 20 amp; GFI outlet
<b>Fans</b>	120 volts, 1200 CFM High Pressure Output
<b>Power Consumption</b>	1,010 watts

### Models Available

- † 36-VH-6
- Δ 42-VH-6
- ^ 48-VH-6
- \* 60-VH-6

## Fire Magic® Outdoor Grill Warranty Highlights

### Lifetime Warranty

CAST STAINLESS STEEL BURNERS, STAINLESS STEEL ROD COOKING GRIDS, AND STAINLESS STEEL HOUSINGS ARE WARRANTED FOR AS LONG AS YOU OWN YOUR FIRE MAGIC® GRILL.

### Twenty Year Warranty

CHOICE GRILL TUBULAR BURNERS ARE WARRANTED FOR TWENTY (20) YEARS.

### Fifteen Year Warranty

BRASS VALVES, MANIFOLD ASSEMBLIES, INNER LINERS AND BACKBURNER ASSEMBLIES (EXCEPT IGNITION SYSTEMS) ARE WARRANTED FOR FIFTEEN (15) YEARS.

### Ten Year Warranty

ELECTRIC GRILLS, ELECTRIC GRILL STAINLESS STEEL COOKING GRIDS AND ELECTRIC GRILL STAINLESS STEEL HOUSING ARE WARRANTED FOR TEN (10) YEARS.

### Five Year Warranty

FLAVOR GRIDS, INFRARED BURNERS IN THE GRILL, STAINLESS STEEL CHARCOAL GRILLS AND SMOKER HOUSINGS ARE WARRANTED FOR (5) YEARS.

### Three Year Warranty

SIDE BURNERS AND ALL OTHER FIRE MAGIC® GRILL COMPONENTS (EXCEPT IGNITION SYSTEMS AND ELECTRICAL PARTS) ARE WARRANTED FOR THREE (3) YEARS.

### One Year Warranty

IGNITION SYSTEMS (EXCLUDING BATTERIES), ELECTRICAL COMPONENTS (INCLUDING LIGHTS AND THERMOMETER), GRILL ACCESSORIES AND SMOKER COMPONENTS ARE WARRANTED FOR ONE (1) YEAR.

**FIRE MAGIC® RESERVES THE RIGHT TO AMEND PRODUCT SPECIFICATIONS WITHOUT PRIOR NOTICE.**

The information provided in this document is for reference purposes only. Detailed instructions & specifications unique to the product purchased can be found in the Owner's Manual. Read those instructions carefully and completely before attempting installation of any Fire Magic® Outdoor Grill product.