

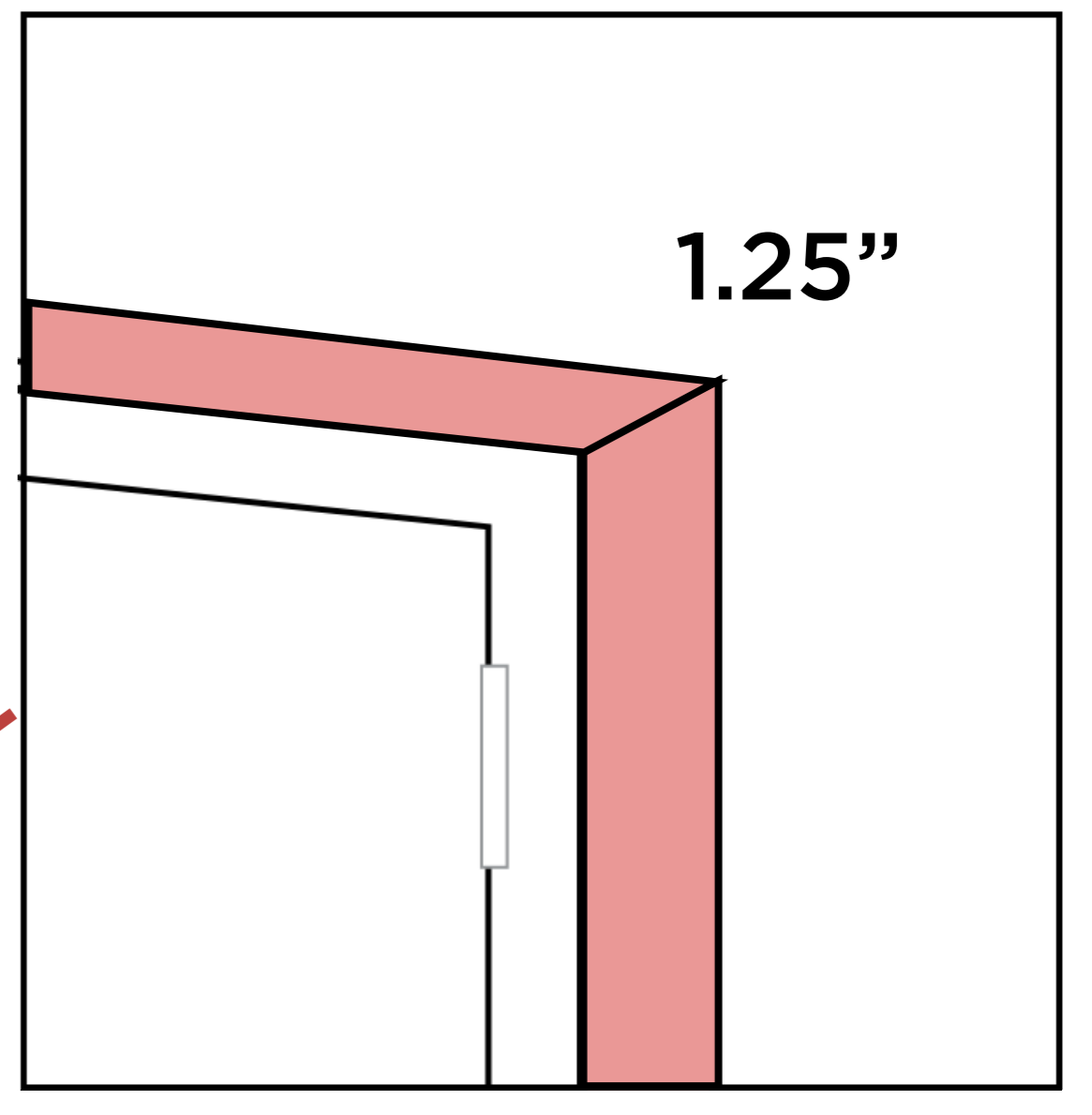
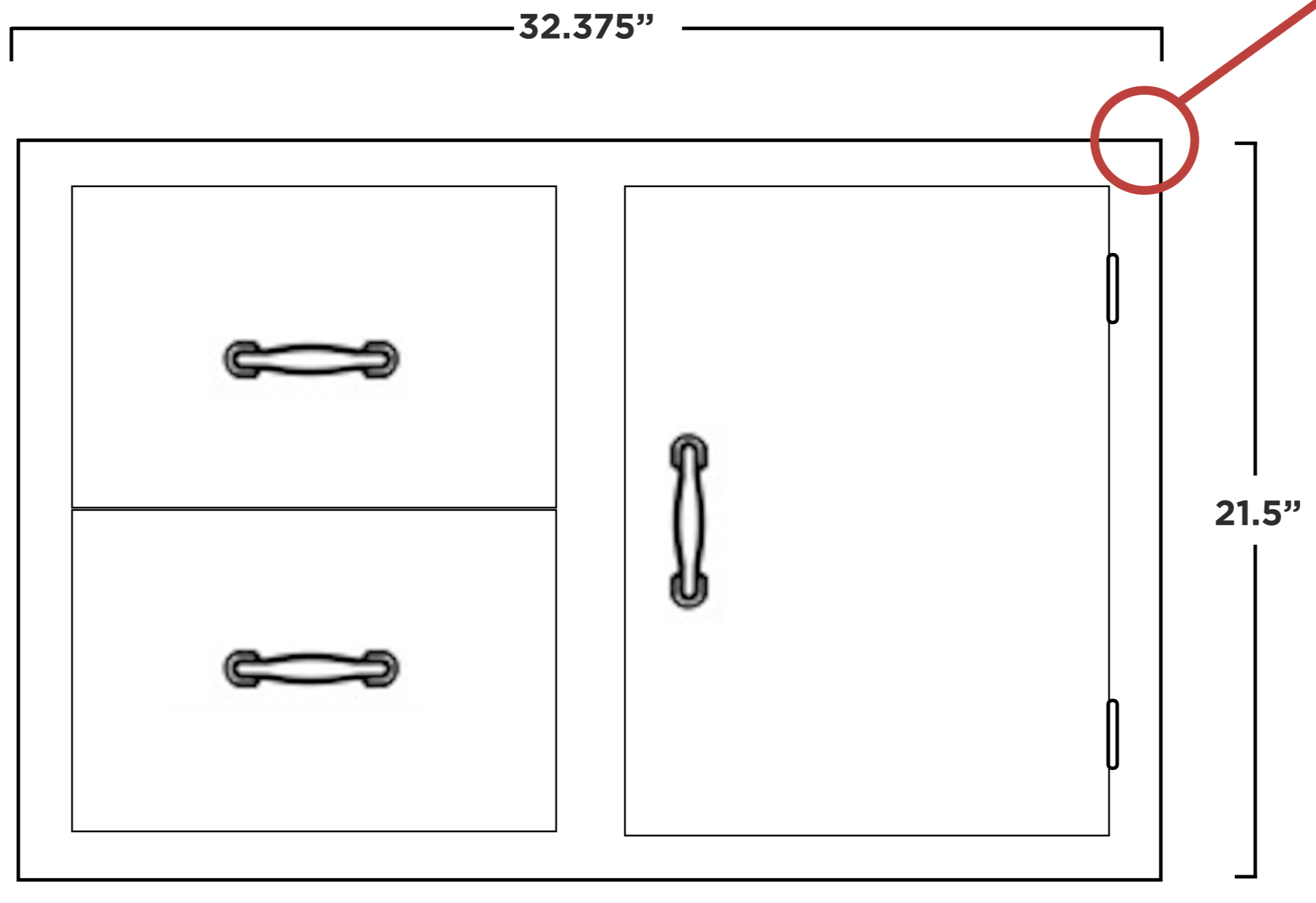


SUMMERSET

PROFESSIONAL GRILLS

2 - Drawer/Door Combo (Masonry Flange)

| | |
|-----------------------------|----------------------------|
| Model | SSDC-M |
| Cutout Dimensions ** | 30.25"W x 19.5"H x 20.75"D |
| Actual Dimensions | 32.375"W x 21.5"H x 20.5"D |



NOTES

