



TUBE CUT

CIGARETTE MACHINE

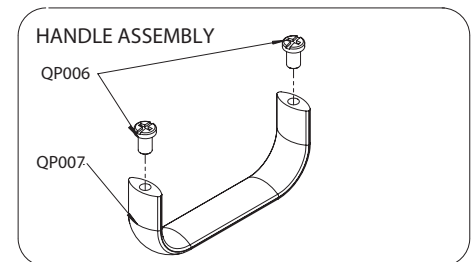
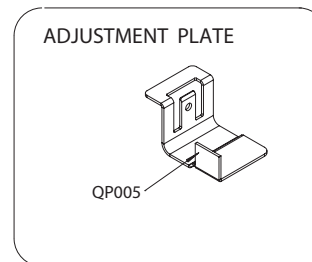
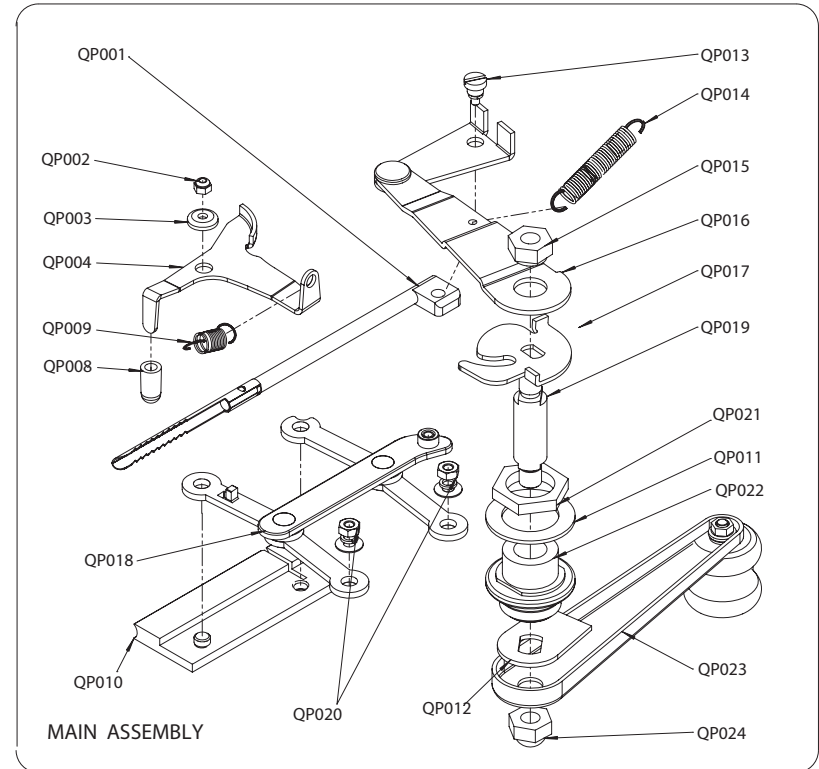
PARTS LIST

PRICE LIST FOR PARTS - ORDER FORM

TUBECUT™ CIGARETTE MACHINE PARTS LIST

Qty	Part Description	Part No.	Price	Amount
	Injector	QP001	US\$ 3.00	
	Insert nut	QP002	US\$.30	
	Small washer	QP003	US\$.20	
	Tube clamp release	QP004	US\$ 1.00	
	Adjustment plate	QP005	US\$ 1.80	
	1/8" Screw (2)	QP006	US\$.20	
	Grip handle	QP007	US\$ 2.50	
	Rubber cover	QP008	US\$.20	
	Short spring	QP009	US\$.40	
	Tamper	QP010	US\$ 8.20	
	Large washer	QP011	US\$.30	
	Stud lock	QP012	US\$.40	
	Flathead screw	QP013	US\$.35	
	Long spring	QP014	US\$.60	
	1/4" Nut	QP015	US\$.60	
	Injector lever assembly	QP016	US\$ 3.00	
	Cam	QP017	US\$ 1.80	
	Link assembly	QP018	US\$ 2.40	
	Stud	QP019	US\$ 2.50	
	Screw & Washer (2 sets)	QP020	US\$.40	
	Lock nut	QP021	US\$.60	
	Shaft bushing	QP022	US\$.95	
	Crank handle assembly	QP023	US\$ 2.40	
	Acorn cap nut	QP024	US\$.60	
	Slip-resistant mat <small>(not pictured)</small>	QP025	US\$ 3.50	
Subtotal				

PARTS LIST



Replacement parts for the TubeCut® Cigarette Machine may become unavailable if Republic Tobacco chooses, in its sole discretion, to discontinue its inventory of such parts. Republic Tobacco is under no obligation to keep and maintain an inventory of replacement parts available for the TubeCut Cigarette Machine. Product must be registered for repair and service agreement to be valid.

SEE REVERSE SIDE FOR PAYMENT DETAILS



TUBE CUT CIGARETTE MACHINE

ORDER FORM

**YOU
MUST INCLUDE
PROOF OF AGE**
(COPY OF VALID DRIVER'S
LICENSE/LEGAL ID)
**WITH THIS
FORM!**

SHIPPING ADDRESS - PLEASE PRINT:

NOTE - WE CANNOT SHIP TO A P.O. BOX - PLEASE, NO P.O.'S

First Name

Last Name

Address

Address (cont.)

Apt./Unit#

City

State

Zip

Phone Number

Email

Please include **US\$7.50** for **Shipping and Handling**.

Please send your parts order and payment, along with a copy of a valid driver's license/legal id (**must show proof of age of 21 years or older**), to the following:

TUBECUT® CIGARETTE MACHINE REPAIR SERVICE CENTER

Republic Tobacco L.P.

2301 Ravine Way, Glenview, IL 60025

T: (855) RYO-HELP (796-4357) **F:** (847) 832-0246

E-mail: tubecut@ryoservice.com **Web:** www.ryoservice.com

SIGN HERE →

Order Date: / /
month / day / year

Subtotal (from reverse side)

Applicable Sales Tax (for IL residents only)

Shipping and Handling

US \$7.50

TOTAL

We accept the following payment types:



Please make check/money order payable to **Republic Tobacco L.P.**

Name
(as it appears on card)

Card Number #:

Exp. Date: /

Security Code:

Billing Address: same as shipping address

Address

Apt./Unit#

City

State

Zip

Signature: _____

/ /
month / day / year

SEE REVERSE SIDE FOR PARTS LIST