

# Underwater PAR56 projector 900 lm

AQUA  
SPHERE



- 12 V AC
- IPX 8
- White or RGB

**2** YEAR WARRANTY **CE**



> 25.000



0.0 S = 100%



T° MAX. 40°



NON-ADJUSTABLE



L70 - 25.000 H



NOT SUITABLE FOR SPOTLIGHTS

## DETAILED DESCRIPTION

PAR56 underwater projector, improves energy efficiency compared to the traditional 300W halogen PAR56 projector. It must always be installed completely submerged in water. The projector has a warranty of 2 years and must be connected to a safety transformer, ensuring that 12Vac arrives.

The White model does not include remote control.

The RGB model is controlled by a remote control, which is included and allows creating the following scenarios:

1. Fade 1 / 2. Fade 2 / 3. Smooth / 4. Flash / 5. Red / 6. Purple / 7. Green / 8. Cyan / 9. Blue / 10. White / 11. Orange / 12. Off.

Niche not included.

## ACCESSORIES INCLUDED IN THE PACK

- Remote control (only RGB lamp)
- Cable 2.5 m H07RN-F 2x1.5 mm<sup>2</sup>.
- Installation and maintenance manual

## DIMENSIONS (mm) AND WEIGHT

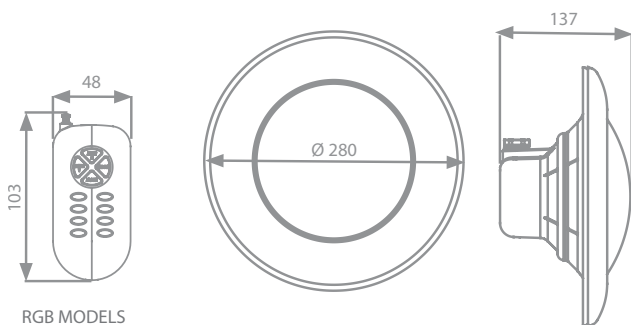
	71741	71742
Dimensions (mm)	150*290*285	150*290*285
Weight (kg)	3,8	3,8

PRODUCT REFERENCE	PAR56 W PROJECTOR	PAR56 RGB PROJECTOR
		71741

TECHNICAL SPECIFICATIONS		
Light color	White	RGB
Color temperature	5.700 °K	-
Energy efficiency	A+	A
Consumption	9 W (13VA)	15 W (23VA)
Rated voltage	12 V AC	12 V AC
Luminous flux	900 lm	900 lm
Protection	Clase III IPX 8	Clase III IPX 8
Pool installation	400 - 700 mm	400 - 700 mm

PALLETIZED AND PACKAGING		
Box size (mm)	150*290*285	150*290*285
Units / Box	1	1
Volume / Box (m³)	0,003	0,003
Weight / Box (kg)	0,012	0,012
Pallet sizes (mm)	1000*1200*2150	1000*1200*2150
Units / Pallet	168	168
Volume / Pallet (m³)	2,42	2,42
Weight / Pallet (kg)	638,4	638,4

▪ SIZES (mm)



▪ BOX (mm)

