

Ascend Tech Adjust Flip Table

Product Data Specification

SPACE SAVING WHEN NOT REQUIRED FOR A TABLE

When you want a clear room, the tables fold and nest together to give 80% more space for other activities

Fast Assembly: Comes mostly assembly- less than 5 minutes per frame install time

No Wobble Tilt Mechanism: There's nothing worse than a table with wobble-this is a precision mechanism that locks in the horizontal super tight so there is zero wobble in the top

HEIGHT ADJUSTABLE FOR ALL AGE GROUPS

Height adjustable in 40mm increments from 600mm to 840mm (includes measuring worktop thickness)

HEAVY DUTY TOPS AND HARD-WEARING EDGES

25mm environmentally friendly EO grade worksurfaces in melamine, with matching hardcore edging to take the knocks.

EASY USE FLIPPING MECHANISM

One handed pull bar with just the right tension for ease of use

SAFETY LOCKING

When tilted upright, the mechanism has locking stays on each mechanism to prevent accidental return to horizontal. To return to level, simply pull the pullbar to release

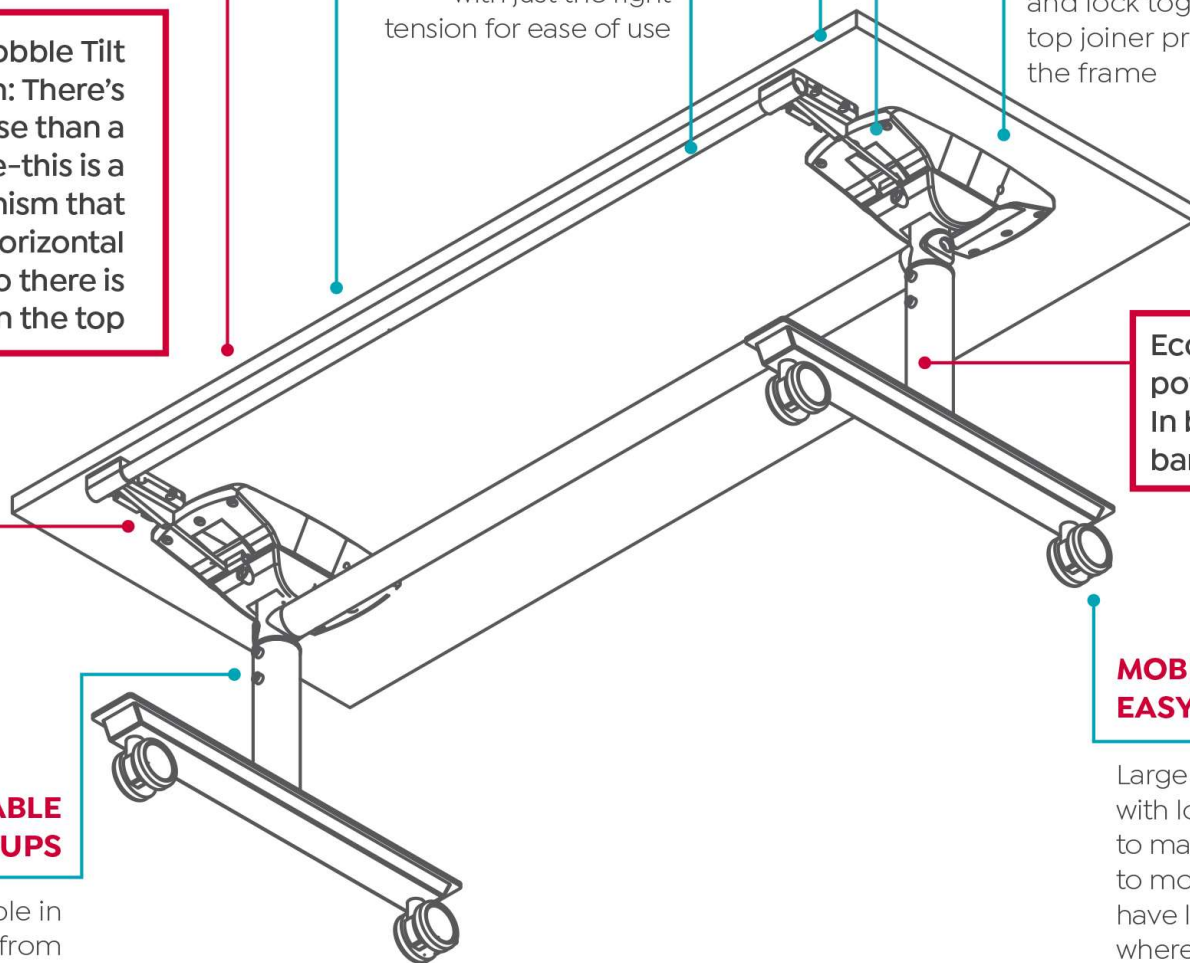
JOINING TABLES IS EASY

Easily butt tops together and lock together using the top joiner provided with the frame

Eco Friendly powder coat finish: In black to legs, pull bar and feet

MOBILITY FOR EASY SHIFTING

Large easy-roll castors with locking function to make the table easy to move. When you have located the table where you need it, the castors can be locked to make non-mobile.



Standard Worktop Sizes: Frames to suit top lengths of 800-2100mm, and top widths of 600-750mm



OLG