



World One ASSEMBLY GUIDE

North America: +1 800 400 0625

Europe: +353 (0)1 858 0910

Asia Pacific: +8522581 0570

www.humanscale.com

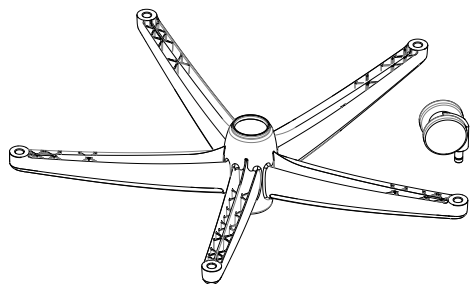
HARDWARE INCLUDED

	Needed Per Mount
 Pin	2

TOOLS REQUIRED FOR ASSEMBLY

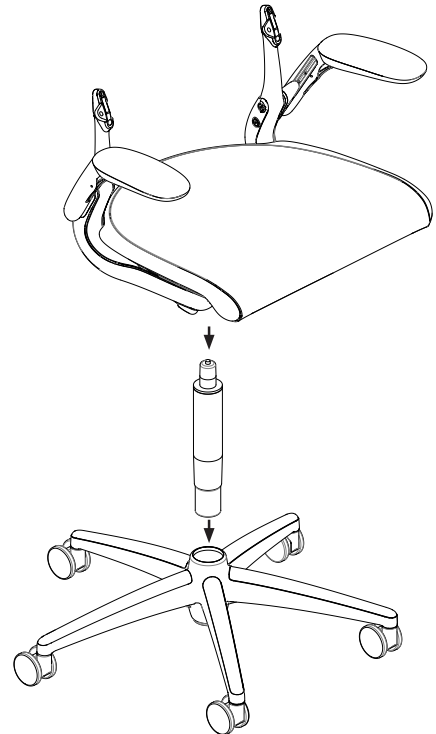


STEP 1



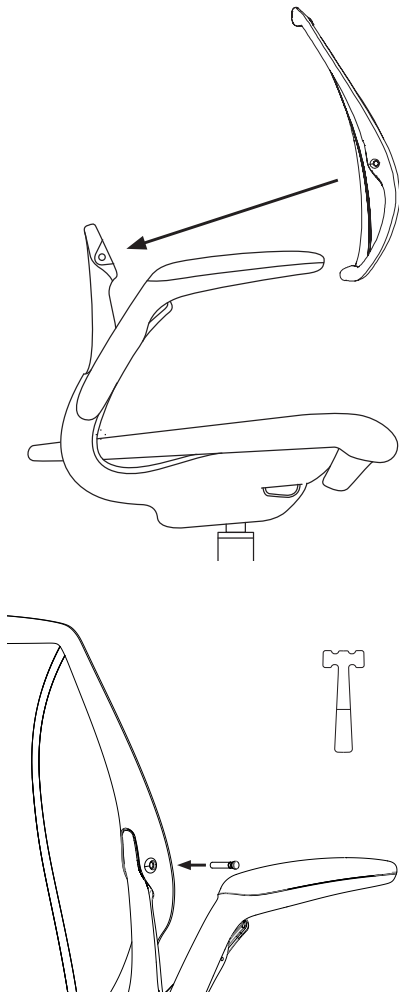
Place the 5 star base upside down and install the casters by firmly pushing the metal stem into the appropriate pocket until fully seated.

STEP 2



Install the gas cylinder into the 5 star base. Then install the seat assembly onto the gas cylinder.

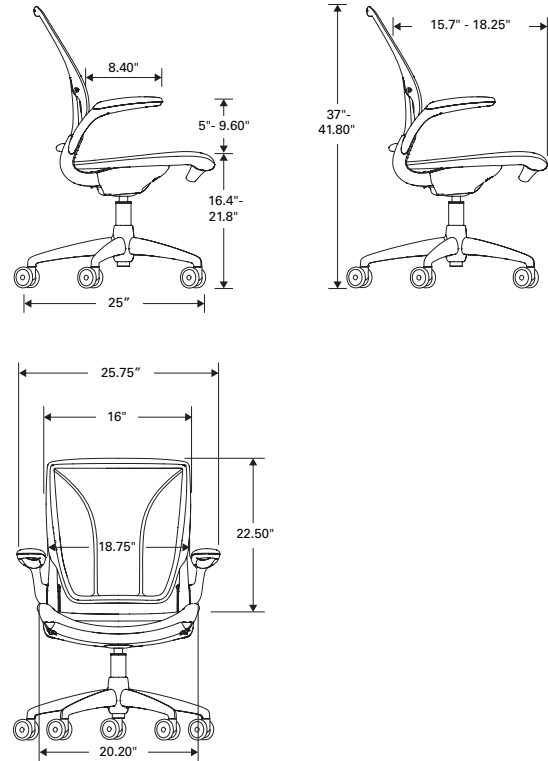
STEP 3



Install the back frame onto the seat frame using the 2 pins.
Gently tap the pins using a mallet to securely seat the pins.

CHAIR SPECIFICATIONS

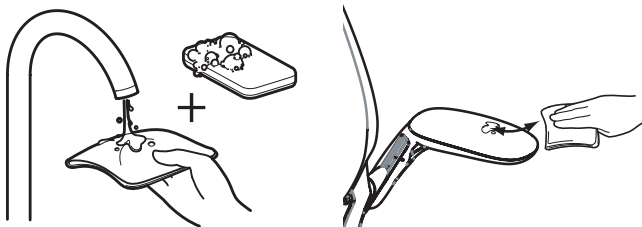
Size	Width	25.75in (654mm)
	Depth	25in (635mm)
	Height	37in- 41.8in (940- 1061mm)
	Seat Height	16.4in- 21.8in (416- 554mm)



CLEANING GUIDELINES

- Please use mild soap (i.e. Ivory Liquid Soap) and water
- Gently wipe with a soft cloth to remove dirt and stains
- Dry gently with a dry soft cloth

For a complete cleaning instruction, please refer to the [Seating Cleaning Instructions](https://www.humanscale.com/resources/download-library/manuals-installation-maintenance.cfm) found at www.humanscale.com/resources/download-library/manuals-installation-maintenance.cfm



[humanscale.com](https://www.humanscale.com)

For our terms and conditions please go to <https://www.humanscale.com/about/legal-information/terms-conditions.cfm>

© 2019 Humanscale Corporation. The text and artwork are copyrighted materials. All rights reserved. The Humanscale mark and logo are trademarks of Humanscale Corporation and are registered in the United States and certain other countries.