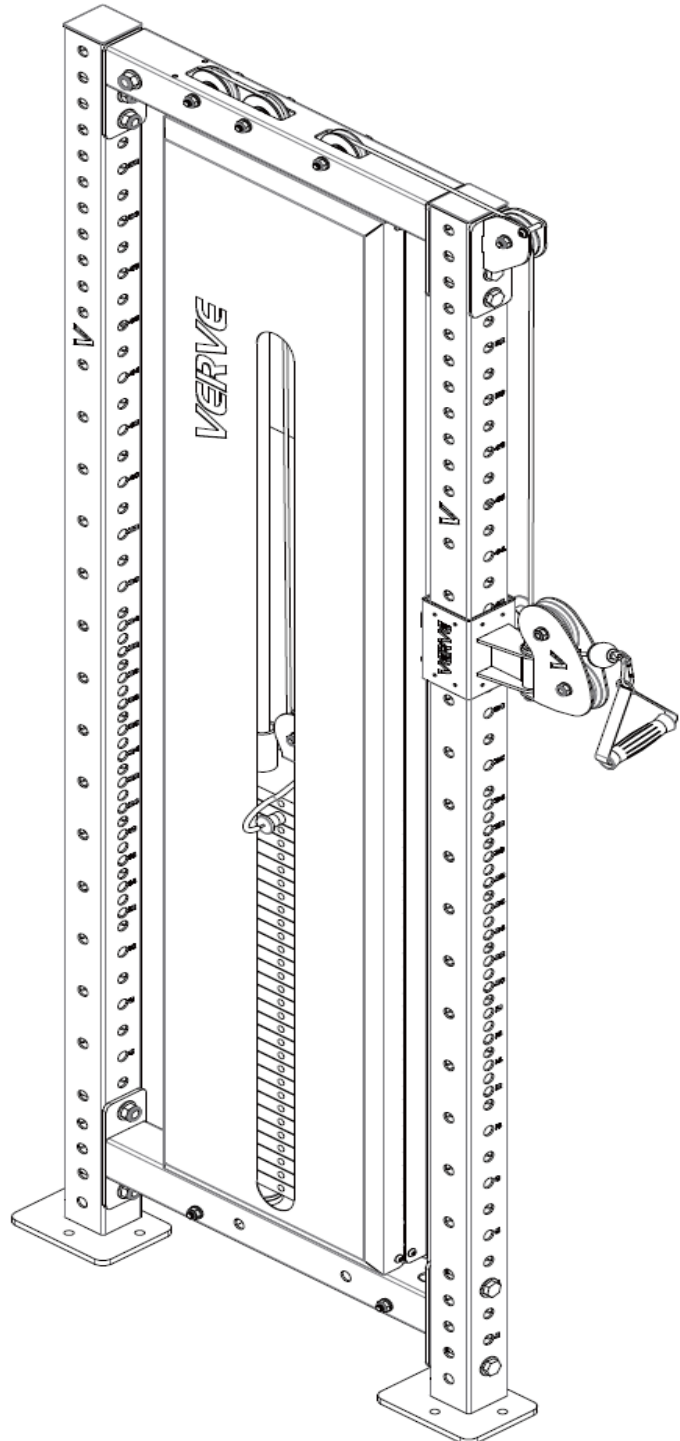


Assembly Instructions

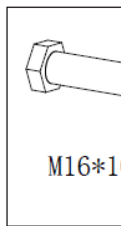
For the easiest possible assembly of your **VERVE Tori Cable Attachment for VERVE Racks and Rigs**, It is important to read the following instructions for this product.











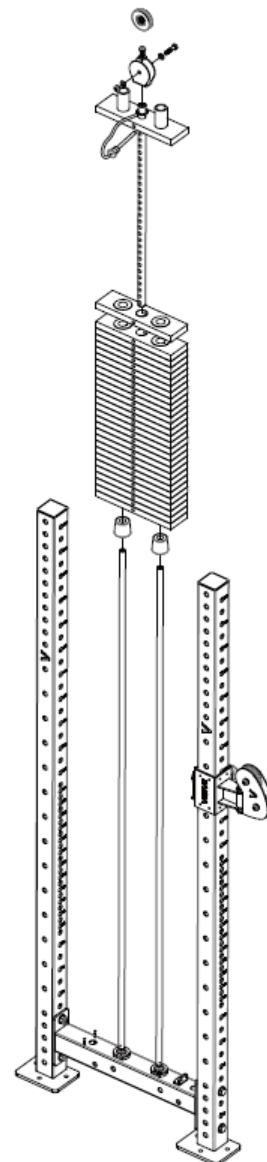
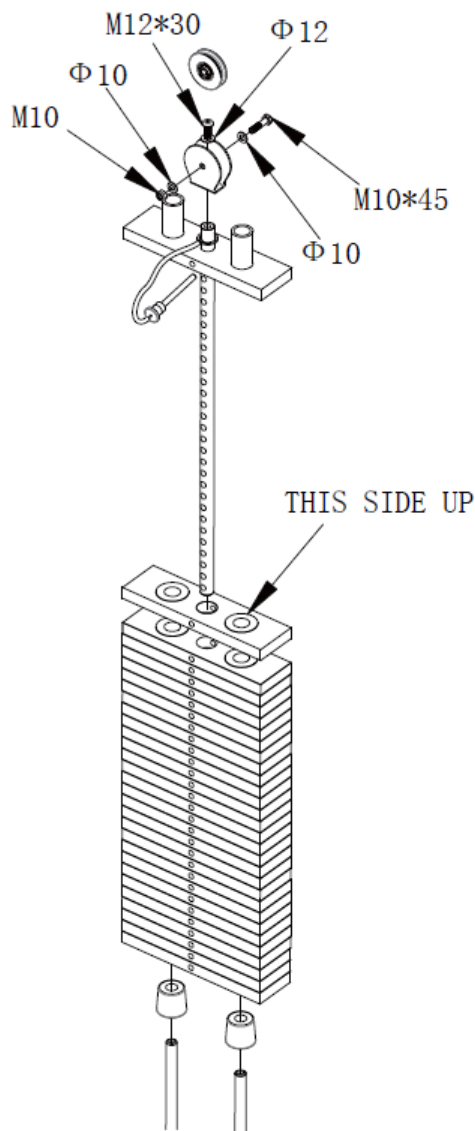
**Tori Cable Attachment
for VERVE Racks and Rigs**
Assembly Instructions

Tori Cable Attachment for VERVE Racks and Rigs

Assembly Instructions


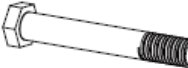





 M10*45 -1PC	 M12*30 -1PC	 Φ 10 -2PCS	 Φ 12 -1PC
 M10 -1PC	 -1PC	 -2PCS	 -1PC

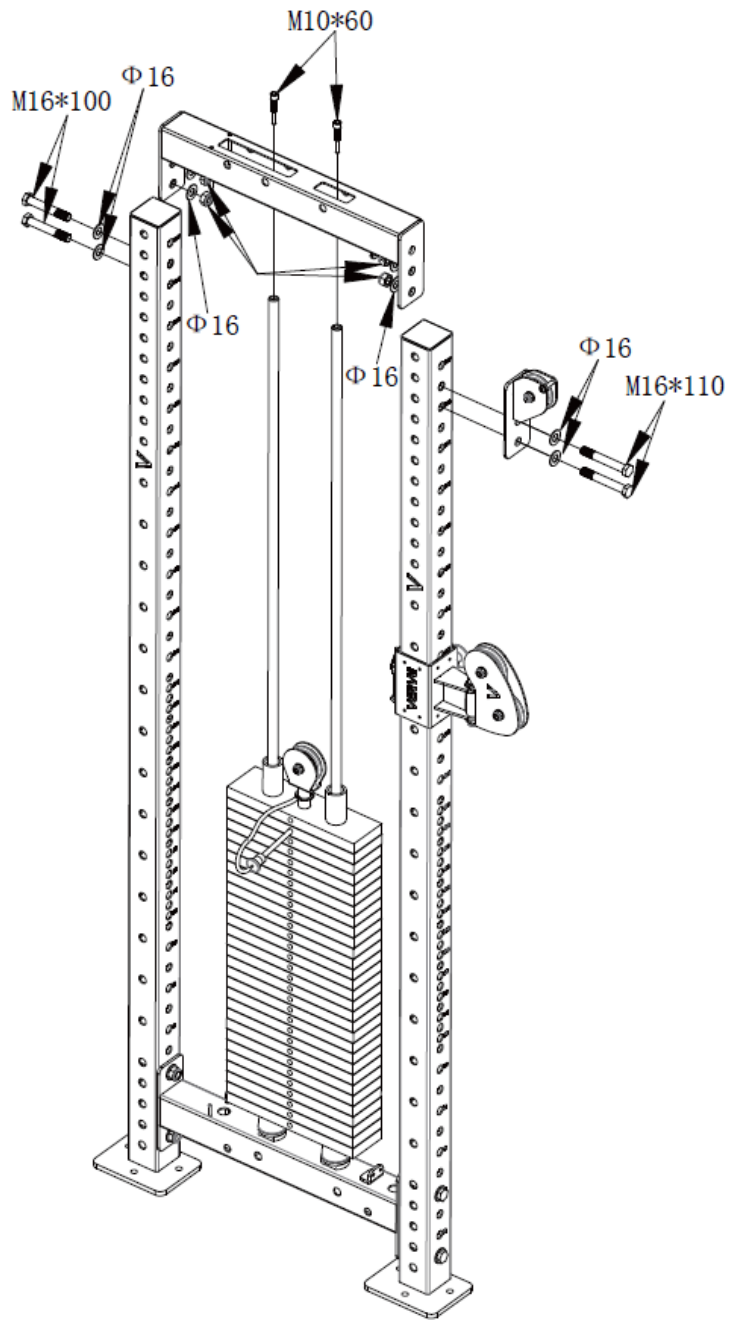


Tori Cable Attachment for VERVE Racks and Rigs Assembly Instructions








 M16*100 -2PCS	 M16*110 -2PCS	 $\Phi 16$ -8PCS	 M16 -4PCS
--	--	---	--

 M10*60 -2PCS

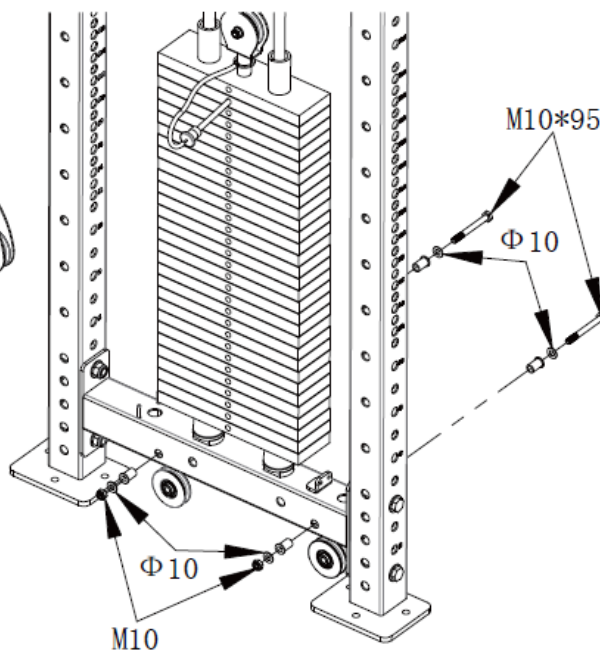
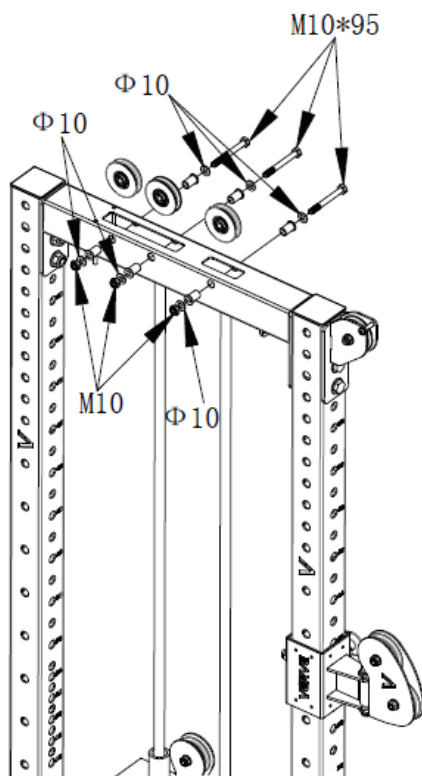


Tori Cable Attachment for VERVE Racks and Rigs Assembly Instructions



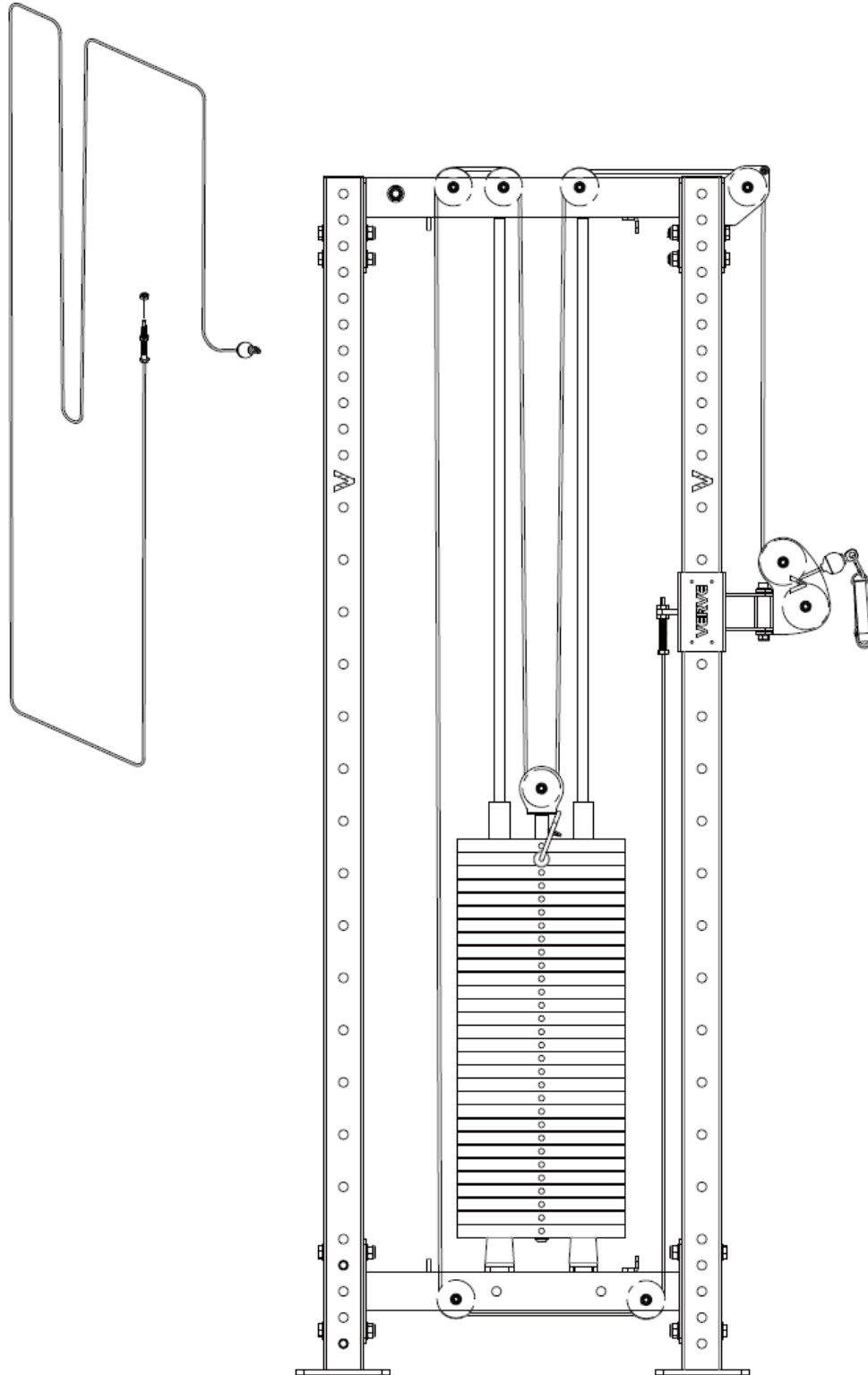
 M10*95 -5PCS	 Φ 10 -10PCS	 M10 -5PCS
 -10PCS	 -6PCS	

PLEASE NOTE
Pulley wheels need
to be removed to
install the cable.



Tori Cable Attachment for VERVE Racks and Rigs Assembly Instructions

VERVE[®]



Tori Cable Attachment for VERVE Racks and Rigs Assembly Instructions

