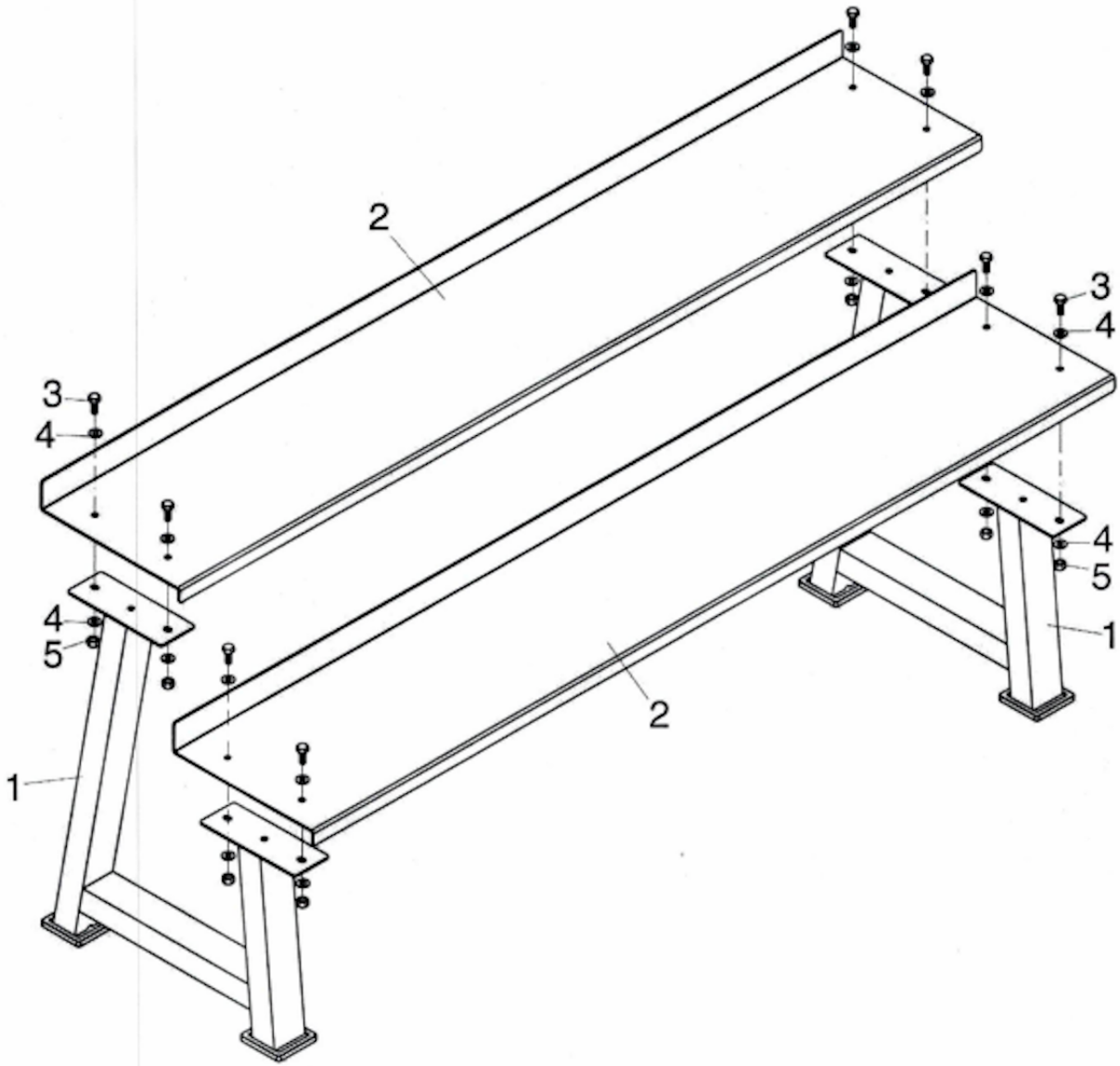




KETTLEBELL STAND - 2 TIER

ASSEMBLY INSTRUCTIONS



PART NO	DESCRIPTION	Q'TY
1	SIDE SUPPORT RACK	2
2	WEIGHT SUPPORT RACK	2
3	M10*25 BOLT	8
4	WASHER ϕ 10	16
5	NYLON LOCK NUT M10	8