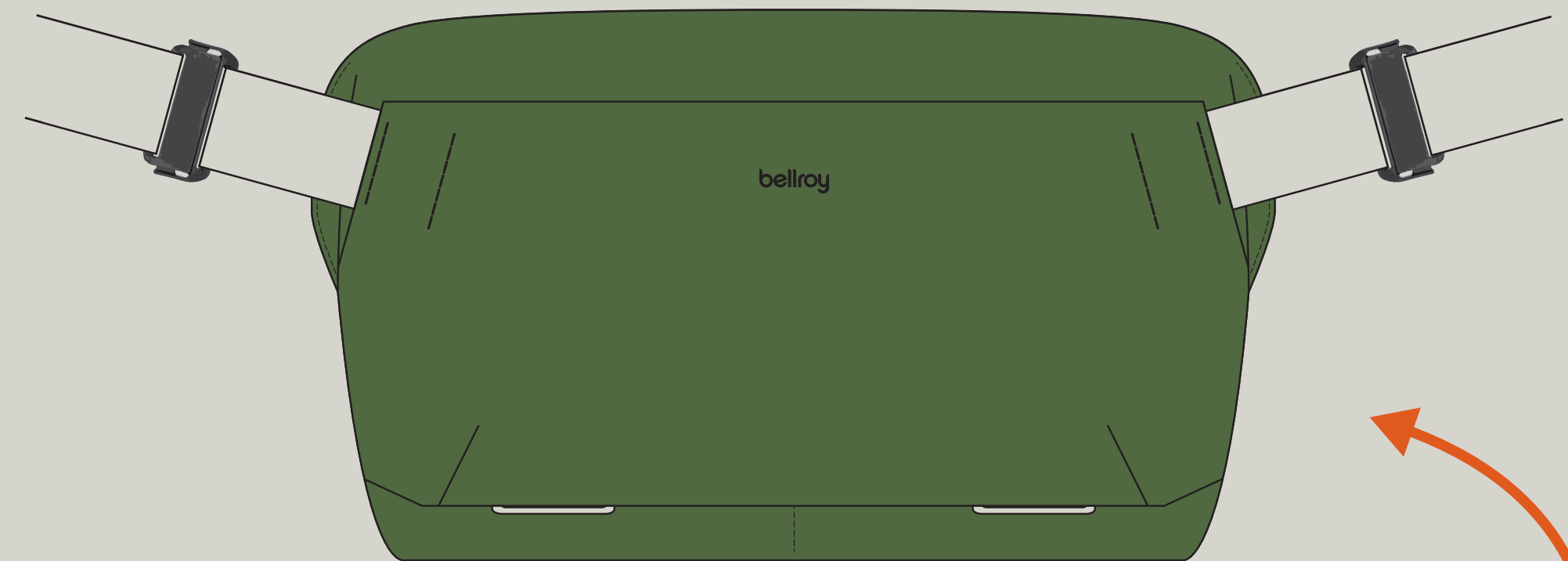


Pack the gear, get the shot

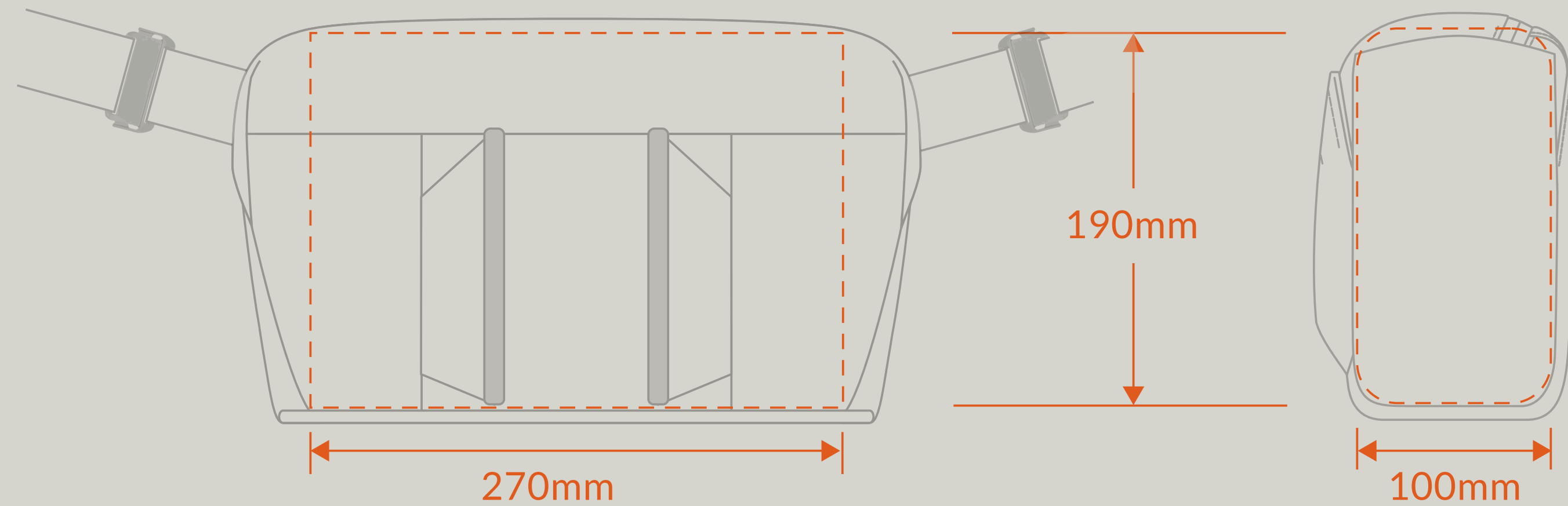
VENTURE SLING 10L - CAMERA EDITION PACKING GUIDE

This adaptable sling can fit a variety of mirrorless DSLR cameras and lenses. Scroll to learn how.

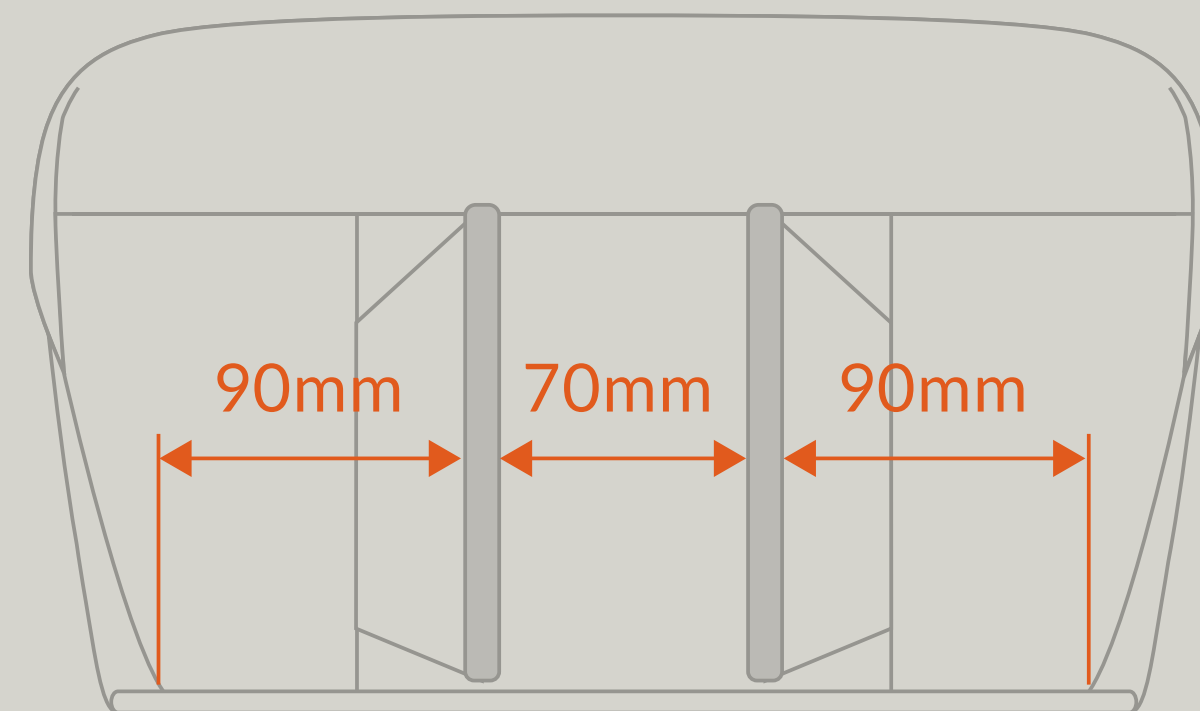


Interior dimensions

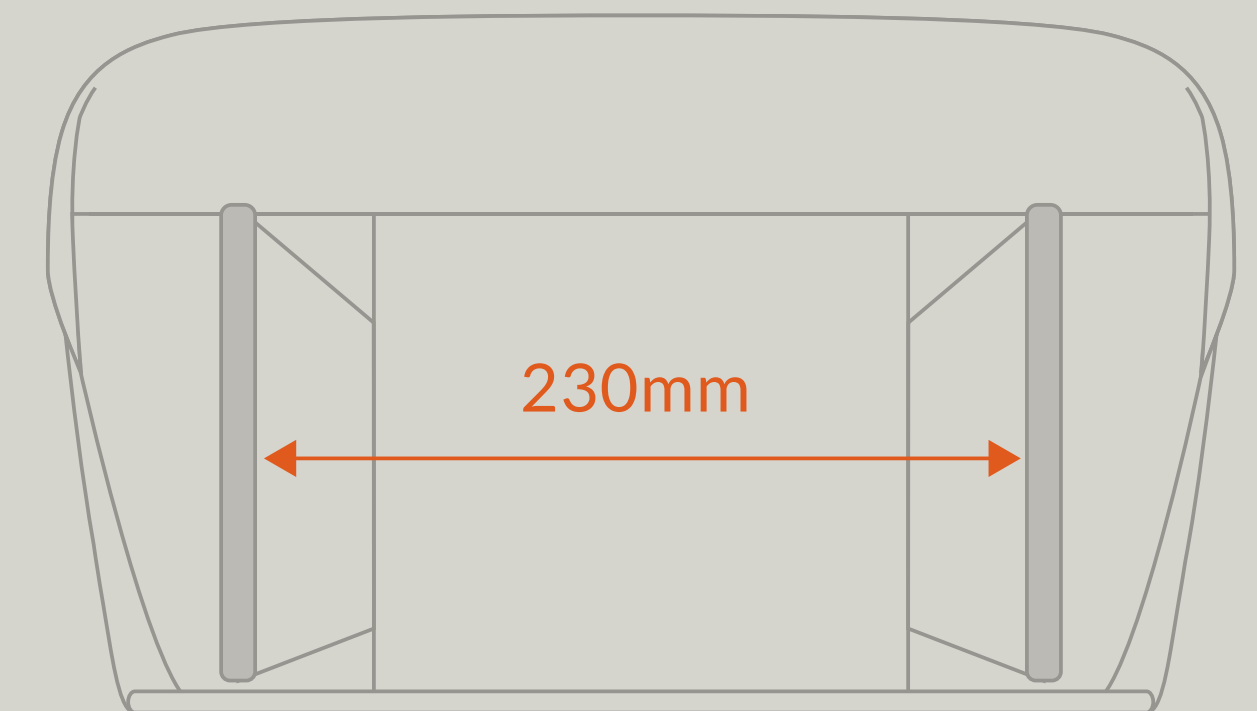
Use these measurements as a guide to help determine how your gear will fit.



MAXIMUM INTERNAL DIMENSIONS



DIVIDERS FULLY EXTENDED



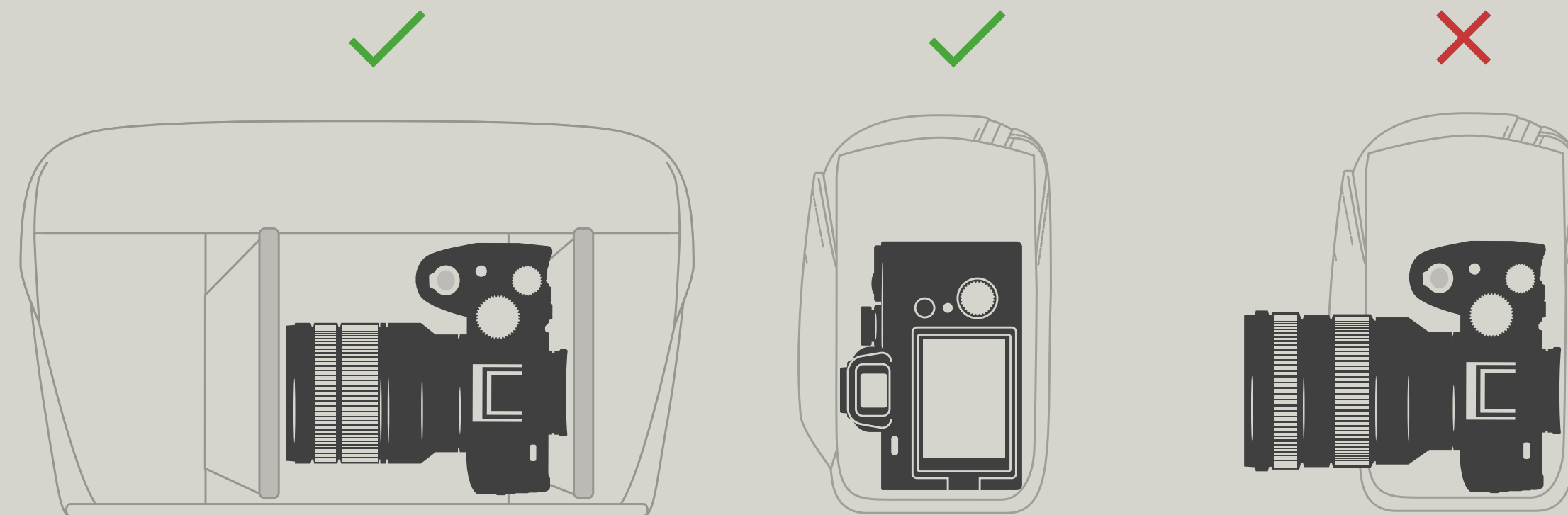
DIVIDERS FULLY RETRACTED



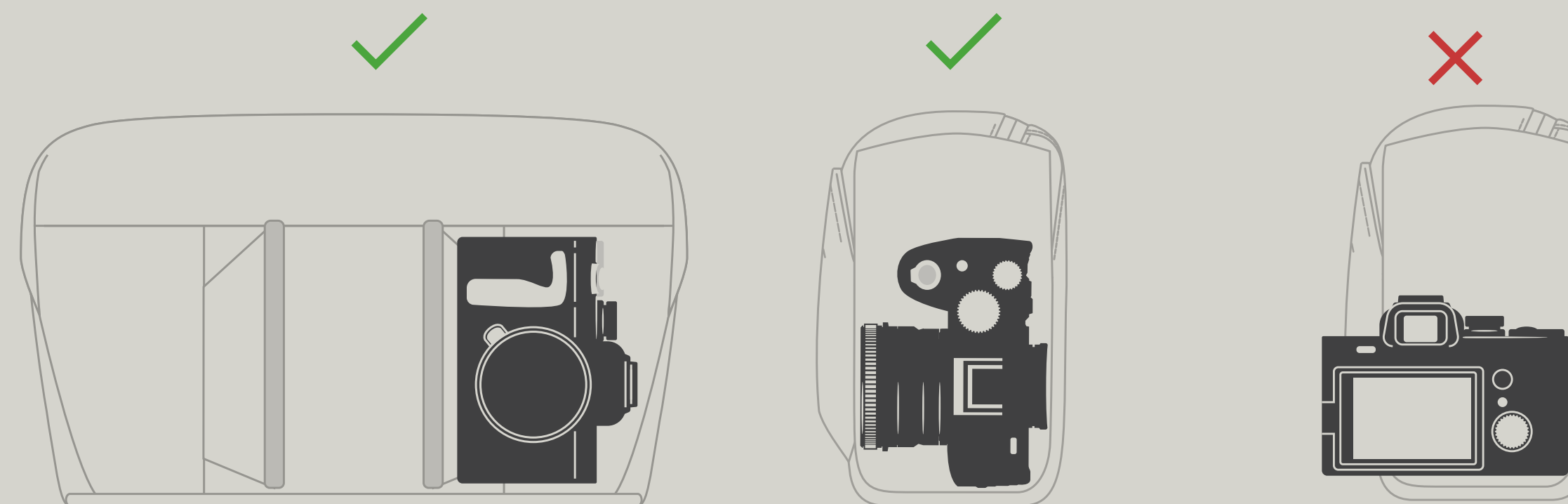
Max lens length
175mm (vertical)
230mm (horizontal)

Packing your camera

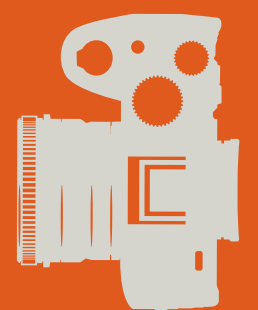
There are two ways to stow your camera, depending on lens length.



1. CAMERA + LONGER LENS: PLACE LENGTHWISE



2. CAMERA + SHORTER LENS (TOTAL < 100MM): PLACE WITH LENS FACING FORWARD

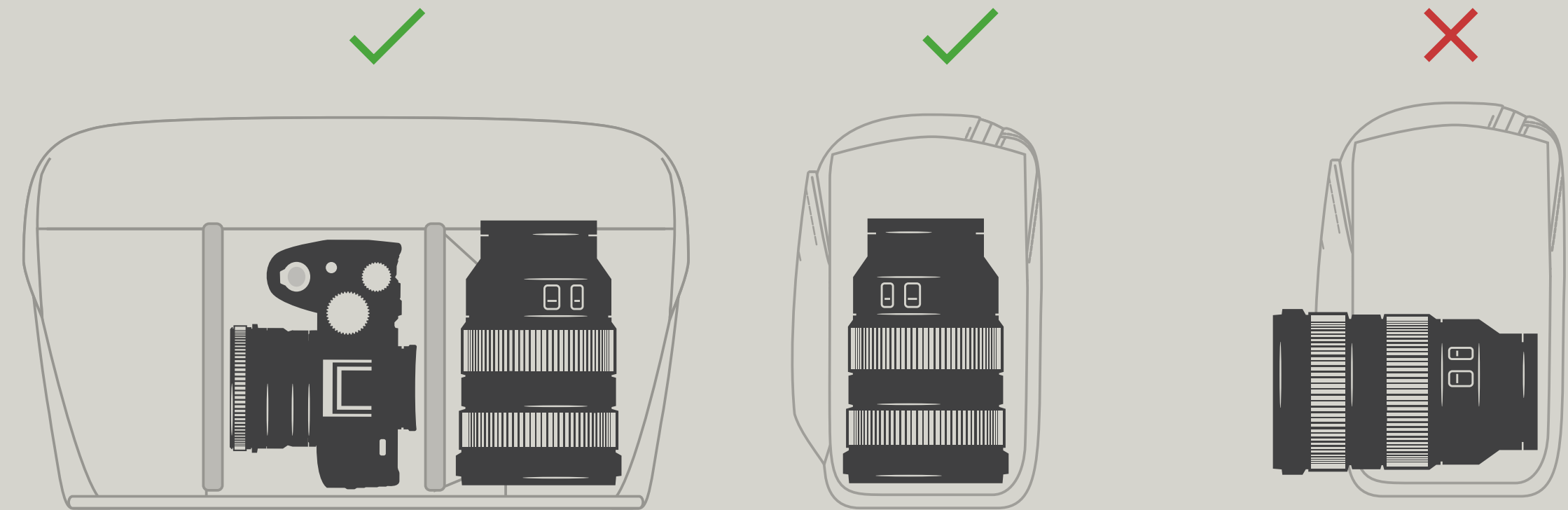


TIP

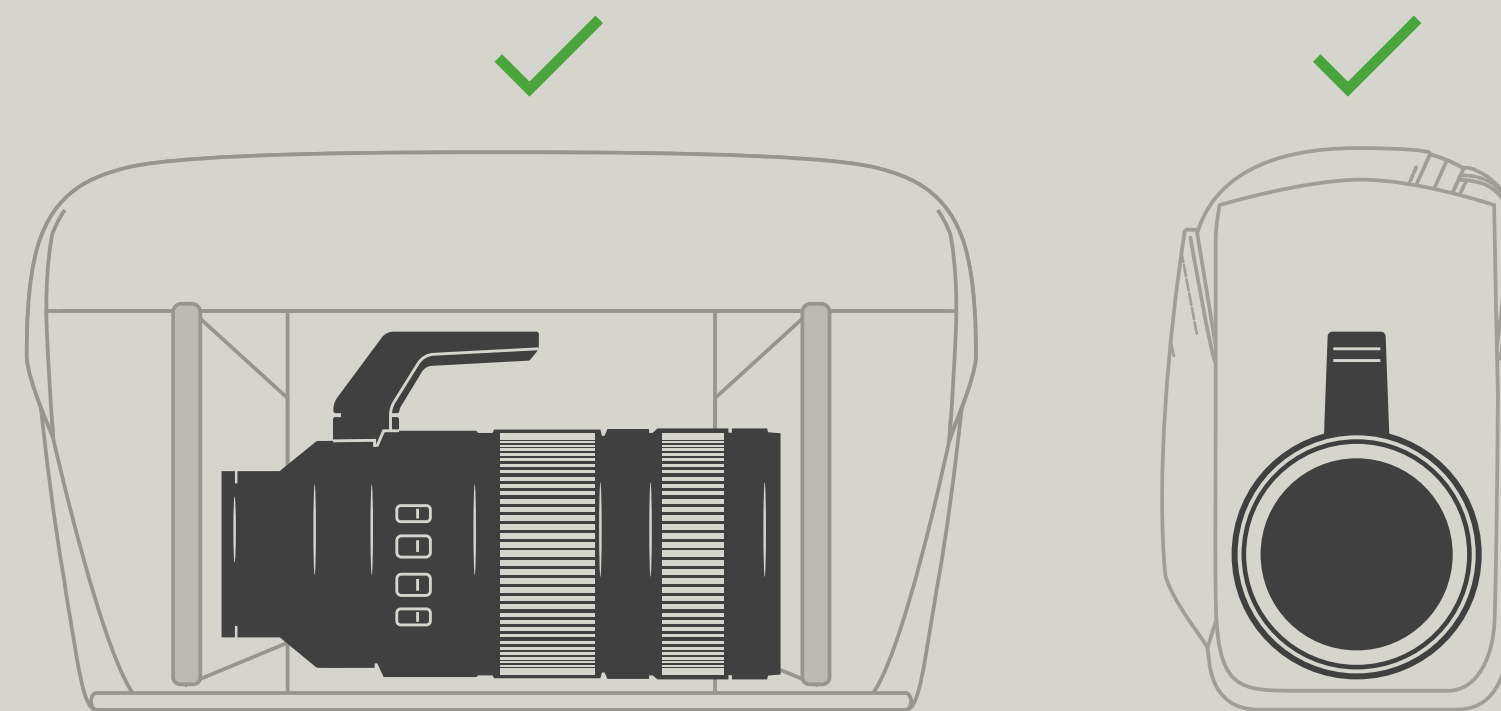
Insert with camera handle at the top, so it's easy to grab

Packing your lenses

Stand extra lenses upright beside your camera, or lay longer lenses across the bottom, and carry your camera in-hand.



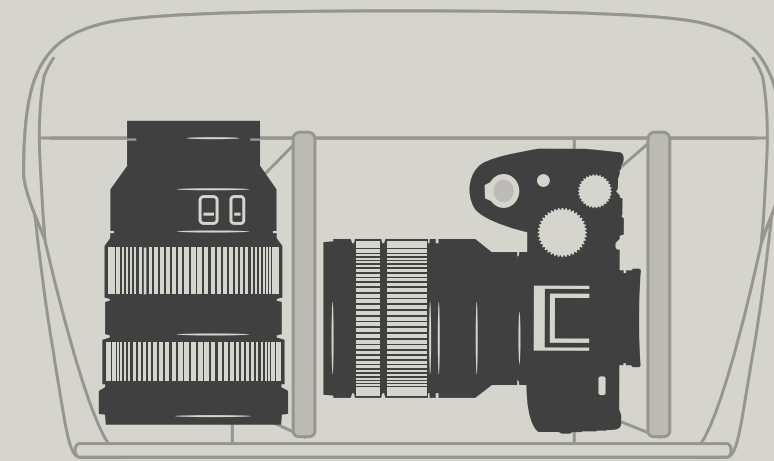
1. MOST LENSES STAND VERTICALLY, LENS CAP FACING UP



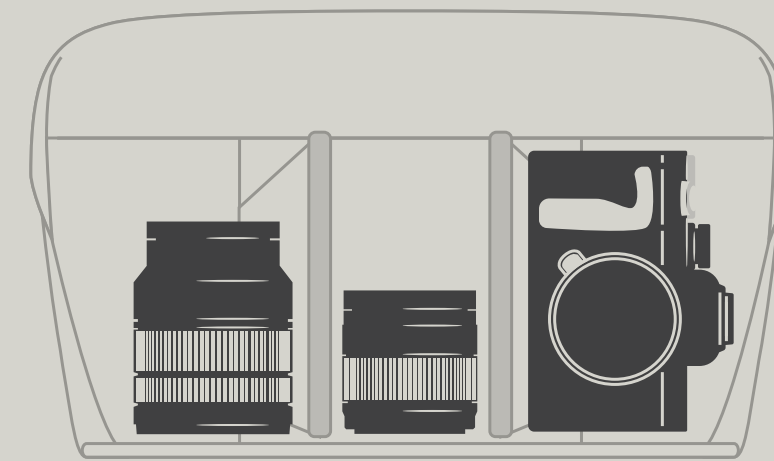
2. LONGER LENSES (>175MM) CAN LIE LENGTHWISE

Adaptable configuration

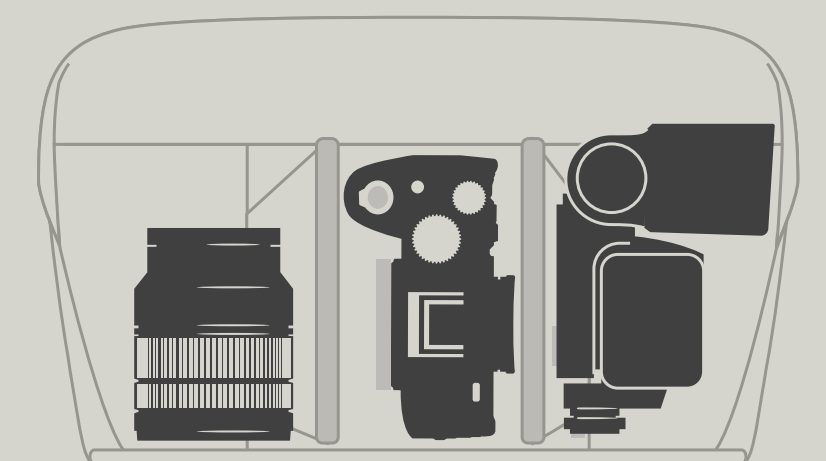
The adjustable dividers can be arranged to fit all kinds of gear. Including everyday carry items.



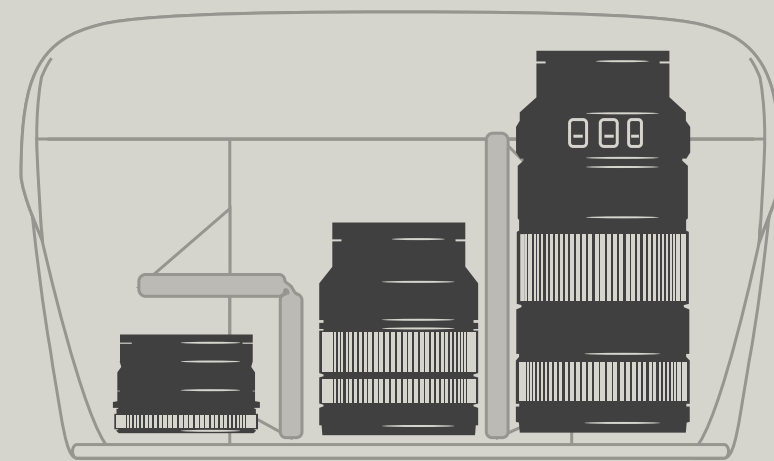
**CAMERA + LENS,
ADDITIONAL LENS**



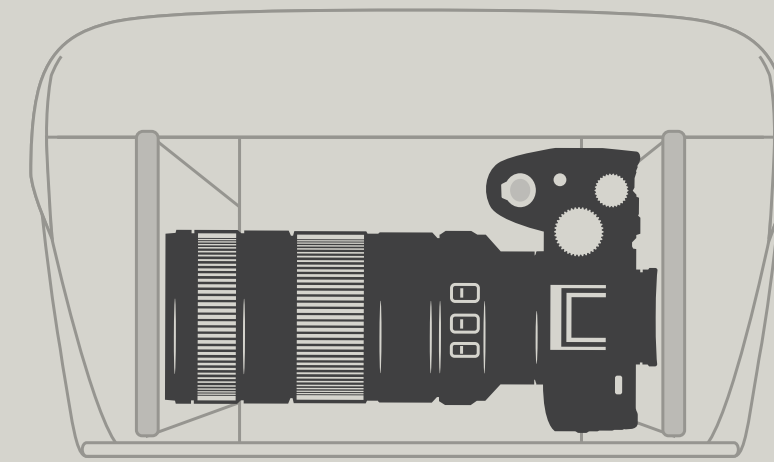
**CAMERA + SHORT LENS,
TWO ADDITIONAL LENSES**



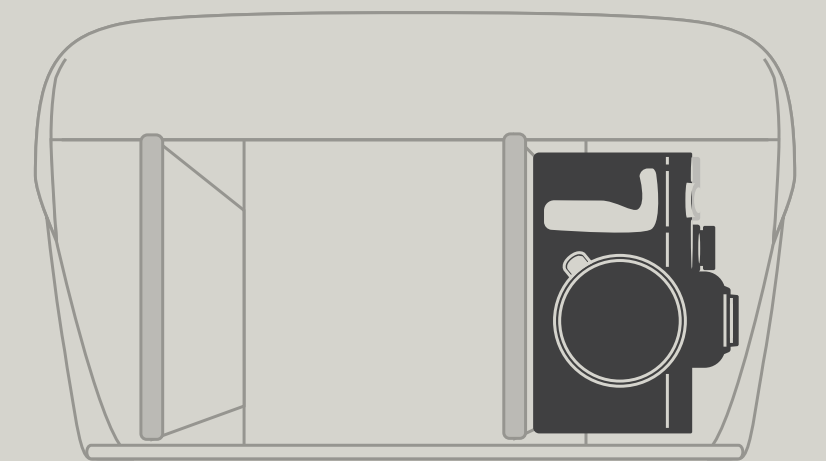
**CAMERA BODY,
ADDITIONAL LENS,
FLASH**



THREE LENSES



**CAMERA +
TELEPHOTO LENS**



**CAMERA + SHORT LENS,
EVERYDAY GEAR**