

LED PANEL LIGHT



USER MANUAL



G.W.S. LED Wholesale Ltd. 53 Summer Lane, B19 3TH, UK

LED Panel Light Installation Guide

Important Information:

These instructions contain safety information, read and follow them carefully. We will not accept any responsibility for injury, damage or loss which may occur due to incorrect installation, operation or maintenance.

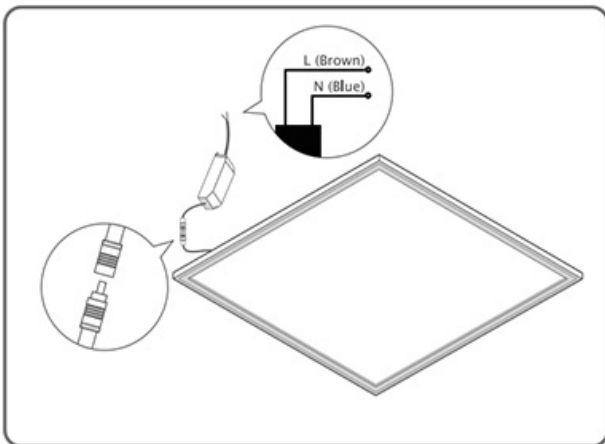
Warning:

To avoid the risk of fire, explosion, or electric shock, this product should be installed, inspected, and maintained by a qualified electrician only, in accordance with all applicable electrical codes.

Safety Instructions:

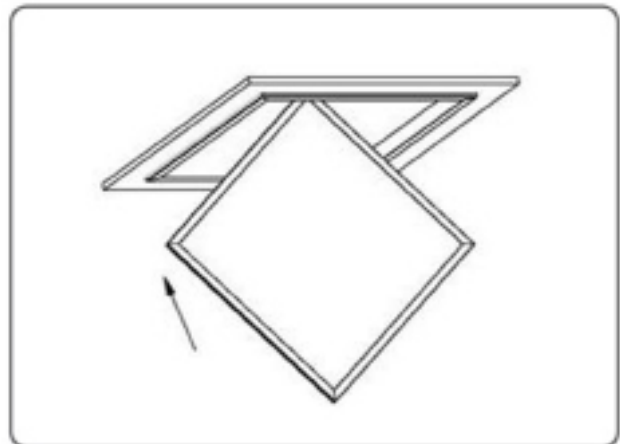
- Be certain electrical power is OFF before and during installation and maintenance.
- Make sure the supply voltage is the same as the rated luminaire voltage.
- Changes of the design and modifications to the LED luminaire are not permitted.
- Observe the national electrical safety rules and regulations during installation.

Method 1: Recessed/Built-in



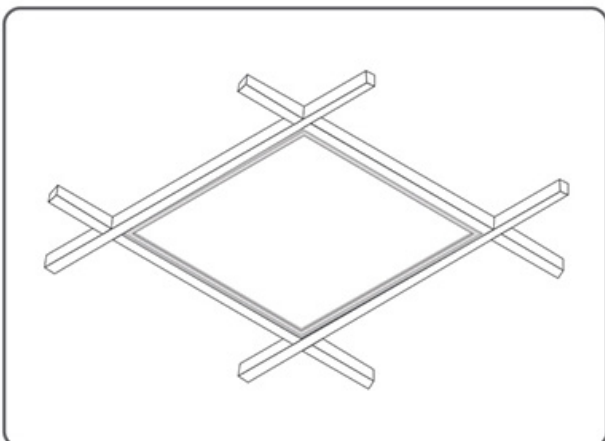
Step 1

Connect the wires from mains to the LED driver.



Step 2

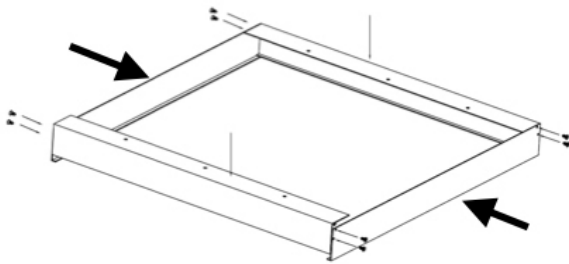
Turn 45 degrees around and put panel into ceiling.



Step 3

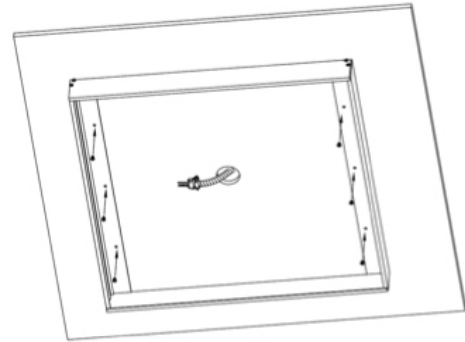
Put led panel light down and fill the space.

Method 2: Surface Mounted



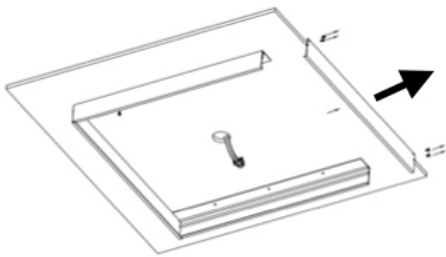
Step 1

Assemble the mounting frame with screws.



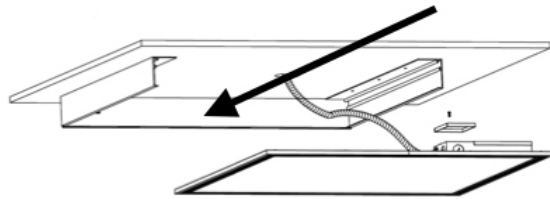
Step 2

Mount the frame on the ceiling. Make sure the wire is long enough for Step 4.



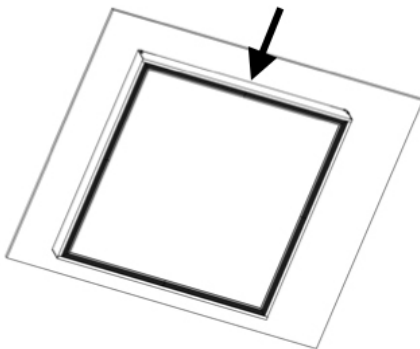
Step 3

After mounting the frame on ceiling, remove one side of the mounting frame.



Step 4

Connect the wires from mains to the LED driver, then slide the LED panel unit into the frame.

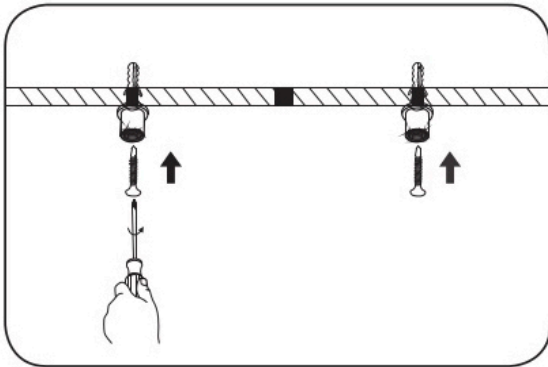


Step 5

Put back the side on removed frame.

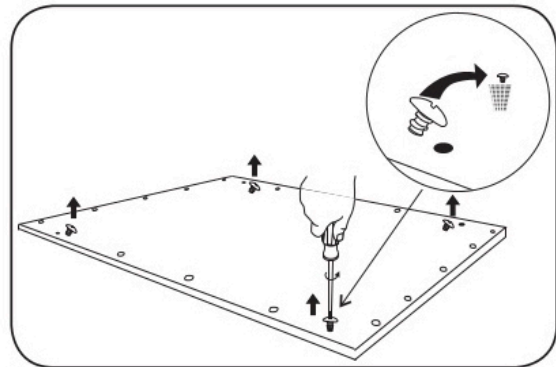
* Surface mount frame is required.

Method 3: Suspended



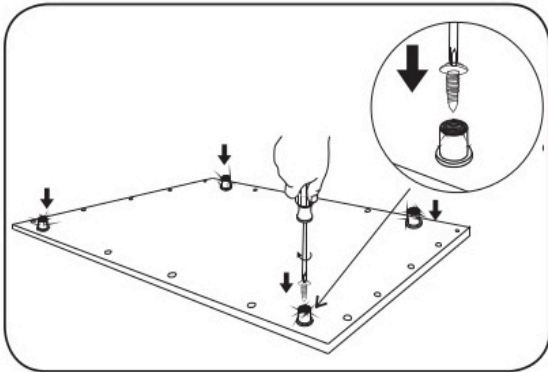
Step 1

Insert the wall plugs into the ceiling and secure the suspended surface fixture to the ceiling.



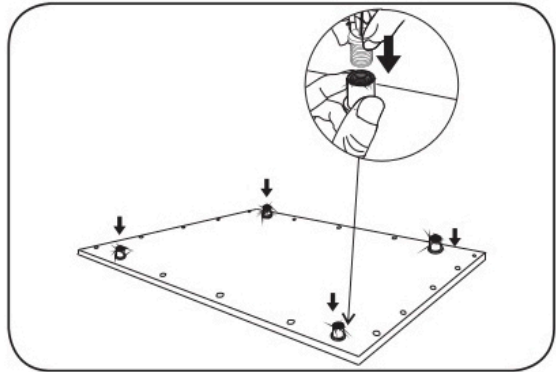
Step 2

Unscrew the highlighted screws from the four corners of the LED Panel.



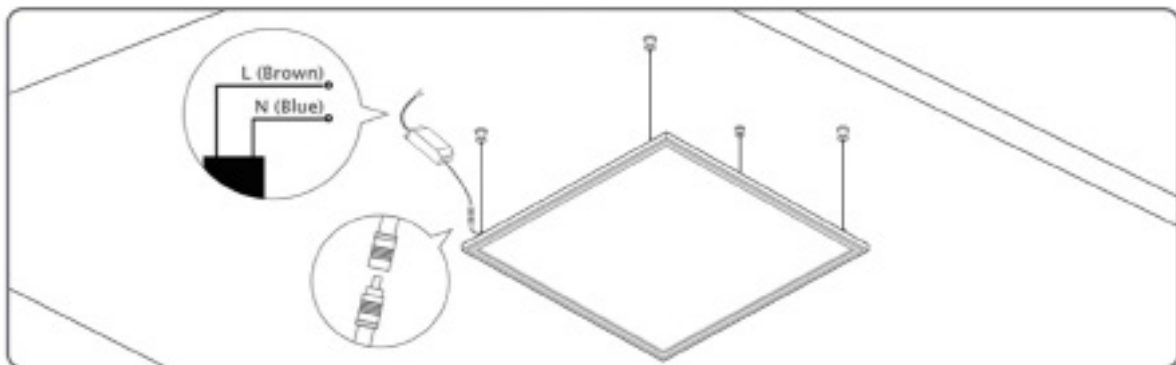
Step 3

Screw the suspended panel fixture to the LED Panel.



Step 4

Screw the suspended cable to the LED Panel.



Step 5

Adjust the length of the suspended cable to the desired length. Screw the suspended cable to the ceiling fixture. Connect the wires from mains to the LED driver.

* Suspension kit is required.