

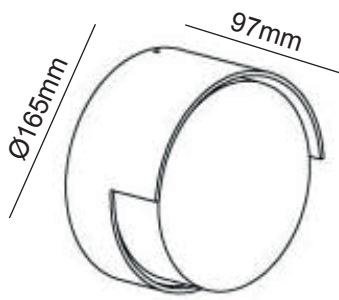


LED WALL LIGHT

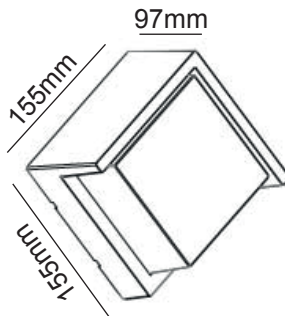
Installation Instructions

Warning

1. Installation only to be carried out by a qualified electrician.
2. Make sure all electrical connections are in accordance with the safety codes.
3. Turn off power at fuse or circuit breaker before installation or servicing.



WL-C-RD-12W



WL-C-SQ-12W

120
Lms/W

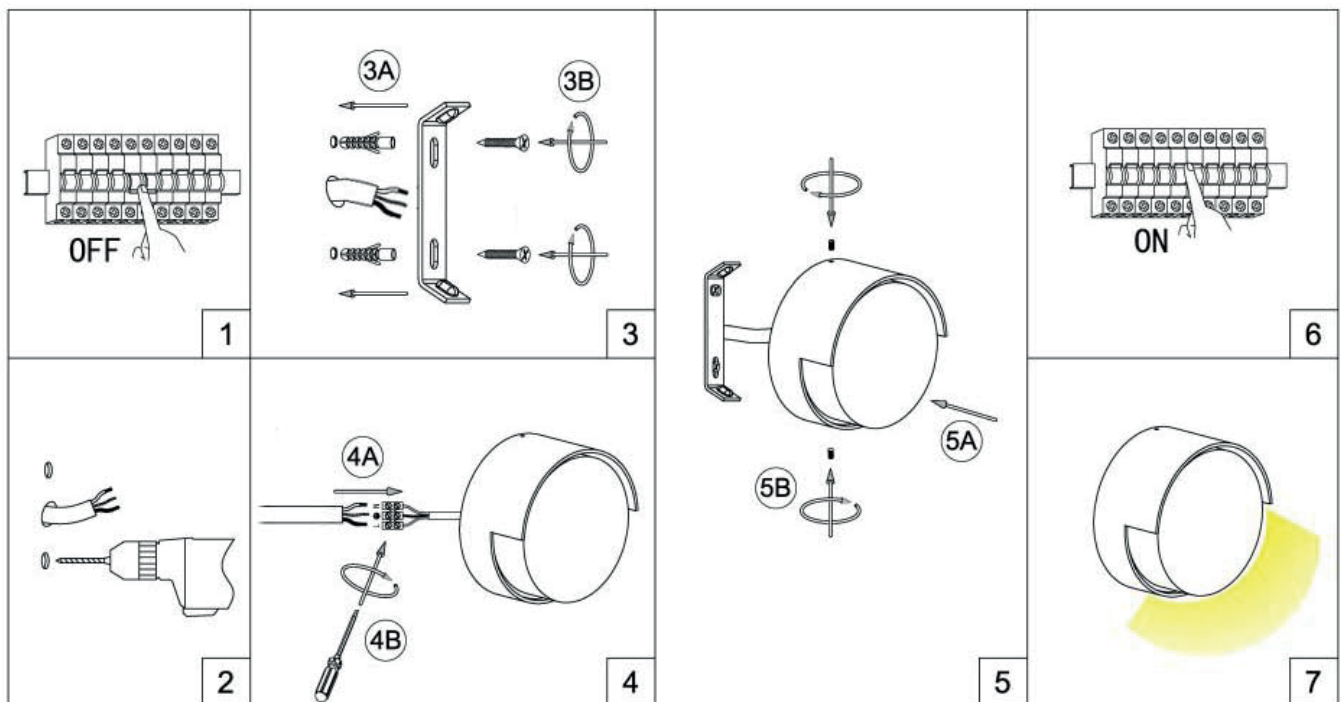
120°

Flicker
Free

IP54

CRI
>80

2
Years
Warranty



Installation

1. Turn the power off from the fuse board before installation.
2. Drill the holes accordingly to where the light will be fixed.
3. Install the base brackets of the light.
4. Connect the wires from the light to the main voltage wires.
5. Tighten the top and bottom screw on the light.
6. Turn the power on from the fuse board.
7. Light will now be on.