

4 Channel 0-10V Touch Glass Panel Dimmer

Model No.: T18-1

4 zone/Touch glass panel/Brightness slide/Wireless remote control



CE RoHS LVD

Features

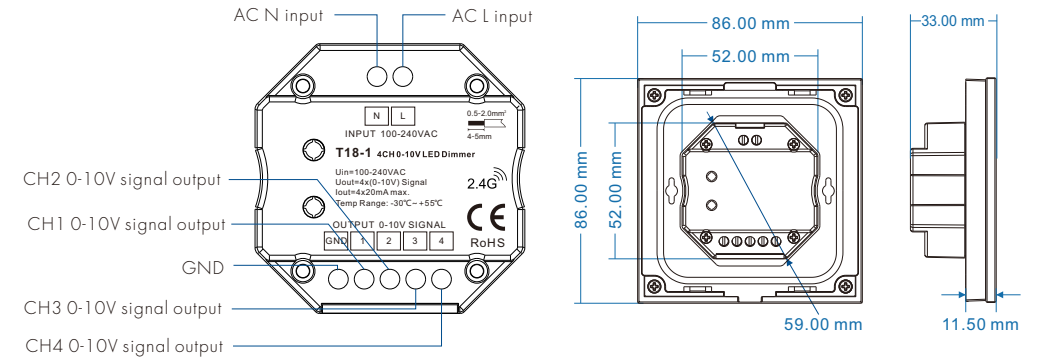
- Touch panel 0-10V dimmer, output 4 channel 0-10V signal.
- Output connect with 0/1-10V dimmable driver.
- Ultra sensitive high strength glass touch panel with touch slide in the middle.
- Compatibility with RF 2.4G dimming remote control.
- Touch keys with LED indicator.
- White & Black glass panel available.

Technical Parameters

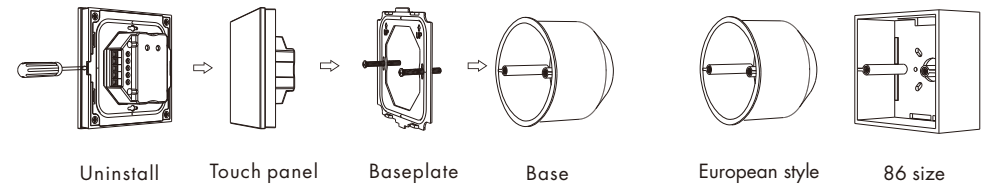
Input and Output	
Input voltage	AC100-240V
Output signal	0-10V (20mA)
Output current	20mA/CH
Environment	
Operation temperature	Ta: -30°C ~ +55°C
Case temperature (Max.)	Tc: +65°C
IP rating	IP20
Warranty	
Warranty	5 years

Safety and EMC	
EMC standard (EMC)	ETSI EN 301 489-1 V2.2.3 ETSI EN 301 489-17 V3.2.4
Safety standard(LVD)	EN 62368-1:2020+A11:2020
Radio Equipment(RED)	ETSI EN 300 328 V2.2.2
Certification	CE,EMC,LVD,RED
Dimming data	
Input signal	Touch key + RF 2.4GHz
RF Control distance	10m(Barrier-free space)
Dimming level	256 levels
Dimming range	0-100%

Mechanical Structures and Installations

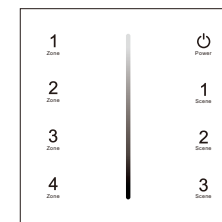


Installation diagram:



Typical base as below:

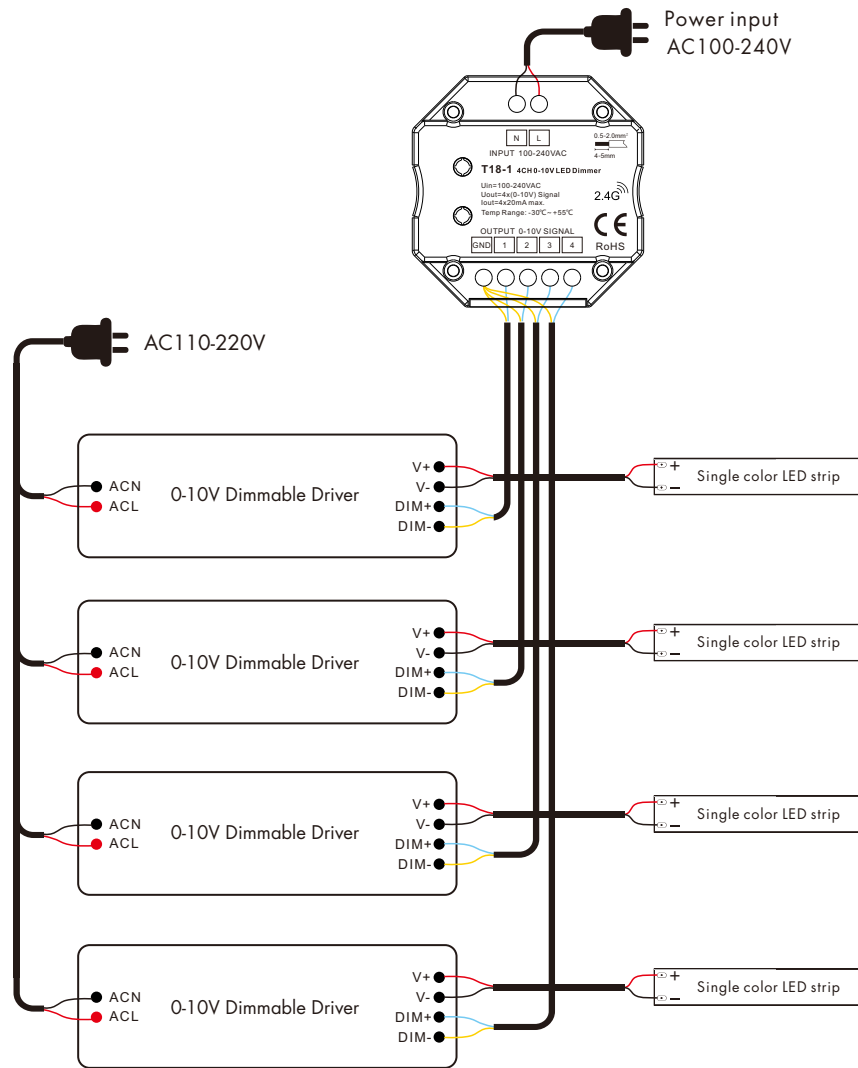
Key function



- Power — Turn on/off all zone light.
- Brightness slide — Brightness slide.
- 1 2 3 — Short press recall scene. Long press 2s to save the current state into 1/2/3.
- 1 2 3 4 — Short press turn on zone light and select zone simultaneously, long press 2s turn off zone light. 4 zone control separately or synchronously, each zone could control multiple receivers.

Note: The default output is 0-10V, if you want to 1-10V output, please touch power key to turn off light, then long press power key for 15s immediately, the output will become 1-10V. Touch power key to turn off light, then long press power key for 10s immediately, the output will return 0-10V.

Wiring diagram



Note: We recommend the number of LED drivers connected to 0/1-10V dimmer (each channel) does not exceed 20 pieces, The maximum length of the wires from dimmer to LED driver should be no more than 30 meters.

Match Remote Control (two match ways)

The 0-10V touch panel dimmer can also match with the RF 4 zone dimming remote (optional). End user can choose the suitable match/delete ways. Two options are offered for selection:

Use On/Off key

Match:
Turn on light, turn off, immediately press the On/Off key of the panel for 5s, then press any zone key of the RF remote within 5s. The LED indicator fast flash 3 times means match is successful.

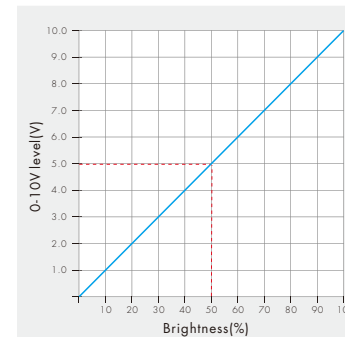
Delete:
Turn on light, turn off, immediately press the On/Off key of the panel for 10s to delete all match, The LED indicator fast flash 6 times means all matched remotes were deleted.

Use Power Restart

Match:
Switch off the power, then switch on power, repeat again, Immediately short press any zone key 3 times on the remote. The light blinks 3 times means match is successful.

Delete:
Switch off the power, then switch on power, repeat again, Immediately short press any zone key 5 times on the remote. The light blinks 5 times means all matched remotes were deleted.

Dimming curve



Note:
When the output channel is off, the output dimming signal is 0V. Please read the dimming section of the 0/1-10V dimming driver manual. If the dimming characteristic curve is the same as below, it will not be able to turn off the lights, you need select other models of 1-10V dimmer which have AC OUT function.

