



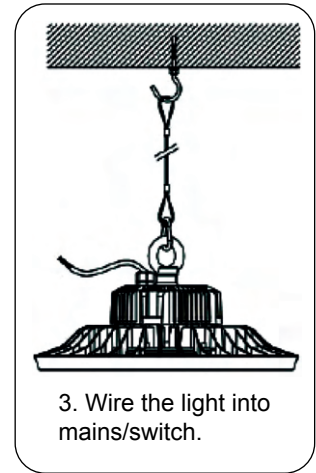
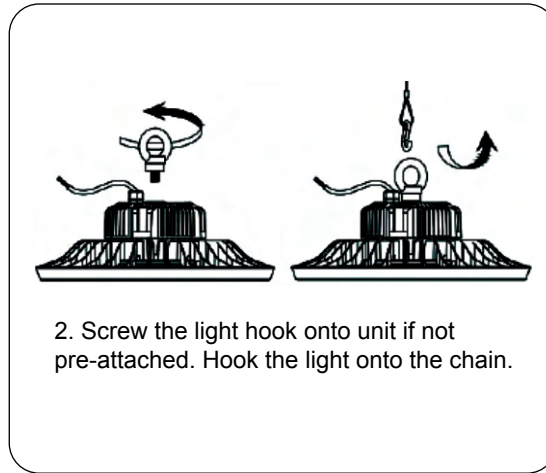
LED UFO High Bay Light Installation - Premium & Supreme Model

To avoid the risk of fire, explosion, or electric shock, this product should be installed, inspected, and maintained by a qualified electrician only, in accordance with all applicable electrical codes.

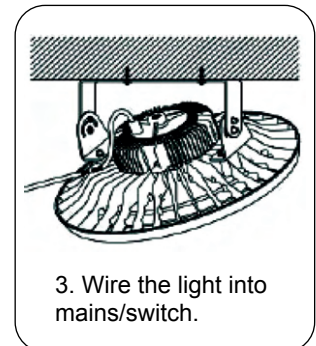
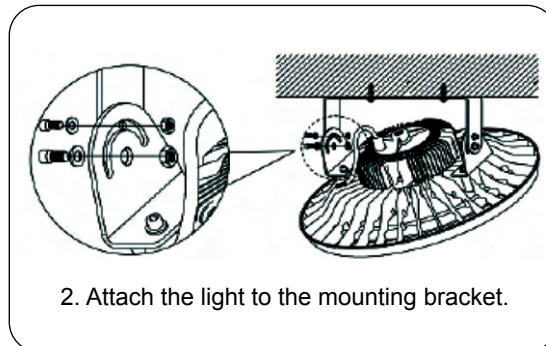
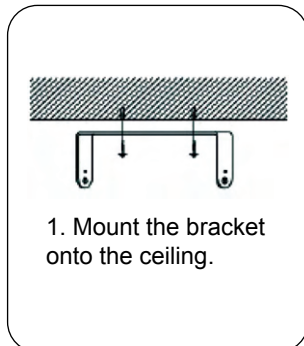
Safety Instructions

- Be certain electrical power is OFF before and during installation and maintenance.
- Make sure the supply voltage is the same as the rated luminaire voltage.
- Changes of the design and modifications to the LED luminaire are not permitted.
- Observe the national electrical safety rules and regulations during installation.

Option 1: Hook Mounted (Ceiling hook and chain are not included)



Option 2: Ceiling Mounted



Wiring

AC Input

- Live (Brown)
- Neutral (Blue)
- Earth Wire (Green/Yellow)

Terminal Box
Roof/Wall

1-10V Dim or Smart Module

- DC12V+ (Black/White)
- 12V- or Dim- (Pink)
- Dim+ (Purple)

Supreme Model

POWER

- 60% (LOW)
- 80% (MID)
- 100% (HIGH)

CCT

- 6000K (A)
- 5000K (A+B)
- 4000K (B)

CCT & Power Setting
Simply select the required light output and power using the CCT & power switch.

IP65

UK CA

CE

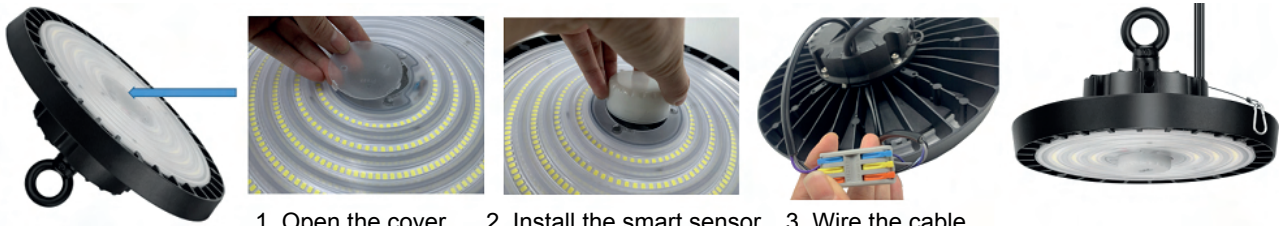
RoHS compliant



MADE IN CHINA

G.W.S. LED, 53 Summer Lane, B19 3TH

Smart Modules Installation



1. Open the cover.
2. Install the smart sensor.
3. Wire the cable. Zigbee, DALI, Bluetooth, Microwave.

Sensor Remote Control

Remote Control Setting	Button	Remarks
		Press the "ON/OFF" button, the light goes to constant on/off mode, sensor is disabled. Press "Reset" "Auto mode" button to quit from this mode and the sensor starts to work. No memory for ON-OFF setting after power off. Sensor mode will auto recover after restart power supply.
		Press "Reset" button, all parameters are same as setting of DIP switch or factory settings.
		Press "Sensor motion" button, the light quits from the constant on/ off mode, and the sensor starts to work (The latest setting stays in validity)
		Press "DIM Test" button, the 1-10V dimming works to test whether the 1-10Vdc dimming ports are connected properly. After 2s, it returns to the latest setting automatically.
		Long press 3s, Daylight priority mode will be switched to daylight threshold mode, lux value will go back to previous one.
		Short press "Dim+/Dim-" button to Set the output lumen level, each press will $\pm 2\%$ light level.
		Long press $>3s$, sensor will be switched to daylight priority mode, if preset daylight value is Disable, press DH Mode can not start daylight priority mode.
		Press the "TEST 2S" button can enter the test mode any time. At the mode, the sensor parameters as below: Detection Area is 100%, Hold Time is 5s, Stand-by Dim Level is 10%, Stand-by Period is 0s, daylight sensor disable. This function only for testing. Quit the mode by pressing "RESET" or any other function buttons.
		Press "HS" button to set the detection area to be high sensitive. Press "LS" button to set the detection area to be low sensitive. The adjustment bases on the "Detection Area" parameter you set.
		Daylight Sensor Set up daylight threshold: 5Lux/15Lux/30Lux/50Lux/100Lux/150Lux/ Disable
		Stand-by period Set up stand-by time: 0S/10S/1min/3min/5min/10min/30min/+ ∞
		Hold time Set up hold time: 5S/30S/1min/3min/5min/10min/20min/30min
		Stand-by dim level Set up stand-by dim level: 10%/20%/30%/50%
	Detection Area Set up detection area: 25%/50%/75%/100%	
	Remote Distance Toggle button can set the remote distance of remote control and sensor.	

Scene Options	Detection Area	Hold Time	Stand-by period	Stand-by dim level	Daylight Sensor	Induction model
QS1	100%	5min	10min	10%	30Lux	HS
QS2	100%	10min	30min	10%	Disable	HS
QS3	100%	20min	30min	10%	Disable	HS

Note: Detection area / Hold time / Stand-by period / Stand-by dim level / Daylight sensor can be adjusted by pressing the corresponding button. The latest setting will stay valid.

Initialisation

1) On/Off Function/3-Step Dimming Function:

After power on, the sensor automatically turns on light at 100% brightness. After 10sec, it turns off the light. During the initialisation, the sensor is not able to detect movement.

2) 2-Step Dimming Function:

After power on, the sensor automatically turns on light at 100% brightness. After 10sec, it dims the light to a low light level (set by stand-by dim level). During the initialisation, the sensor is not able to detect movement.