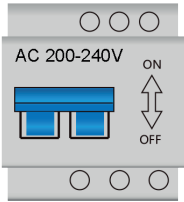




LED LINEAR LIGHT INSTALLATION

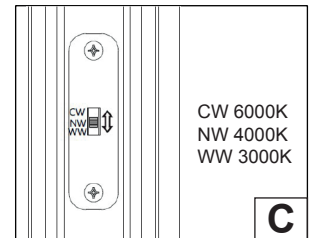
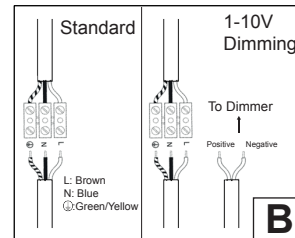
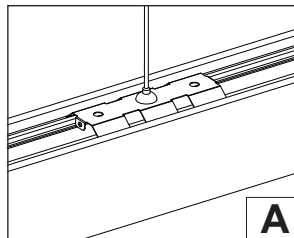
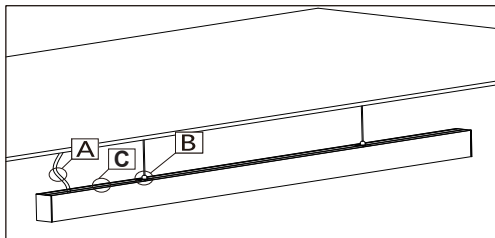
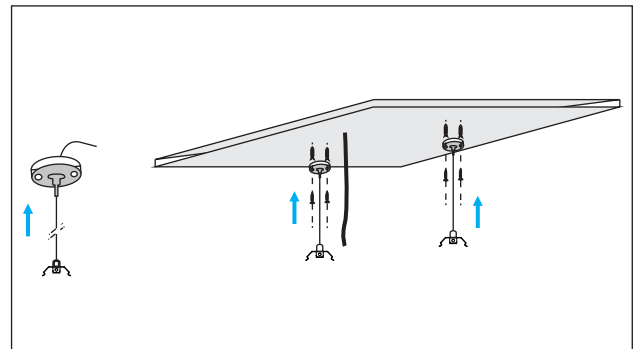
1. Turn off the main power switch.



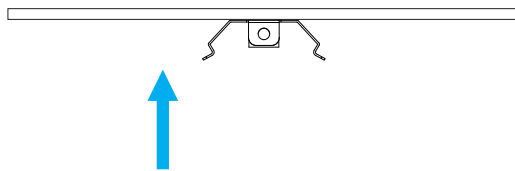
2. Installation Methods (Suspension, Surface Mount, Recessed)

Suspension

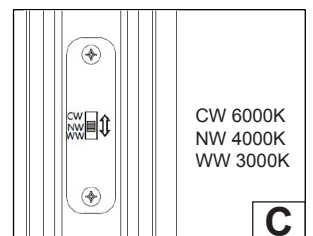
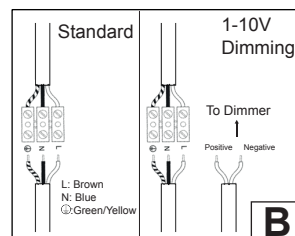
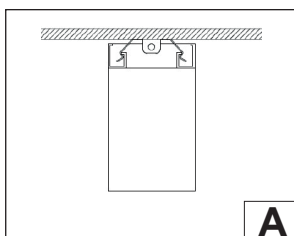
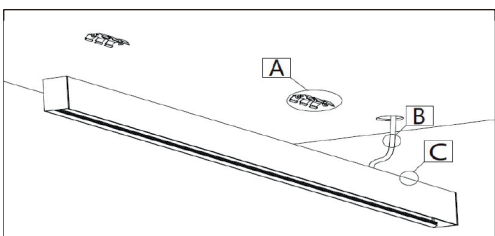
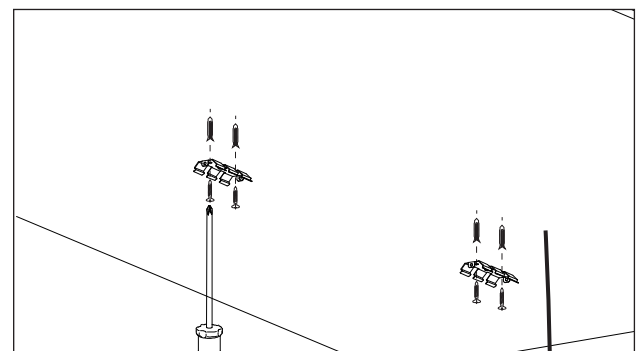
- A. Fix the mounting bracket to the lamp.
- B. Wiring.
- C. Select CCT light output using the slide switch on top of the lamp.



Surface Mount



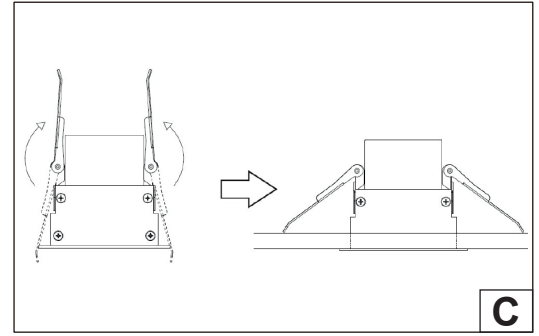
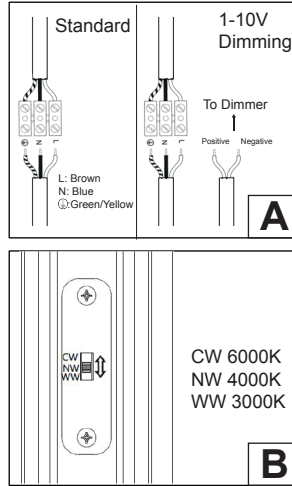
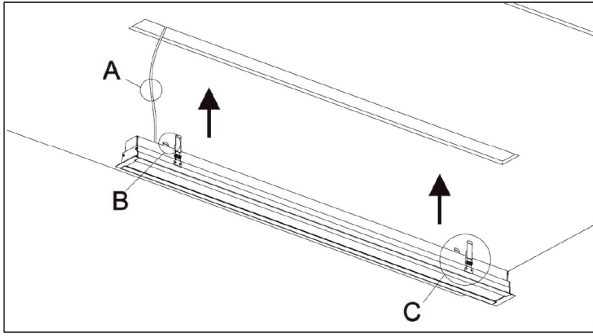
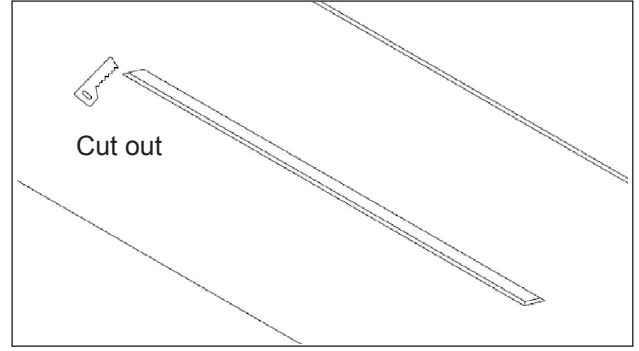
- A. Fix the lamp to the mounting bracket.
- B. Wiring.
- C. Select CCT light output using the slide switch on top of the lamp.



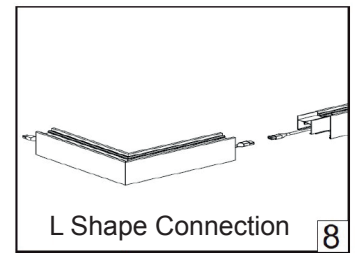
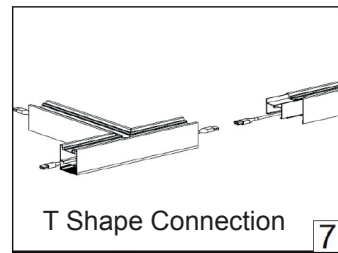
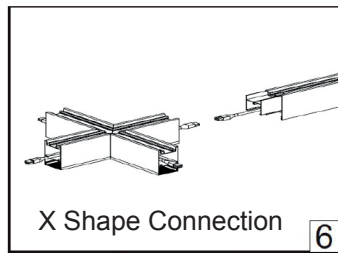
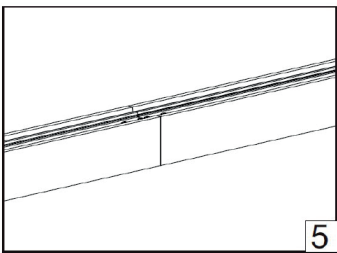
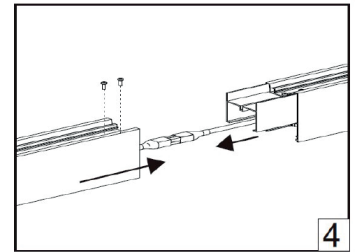
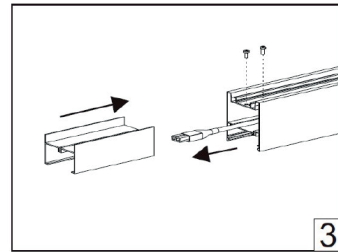
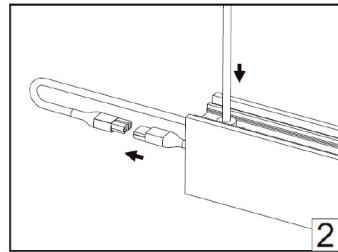
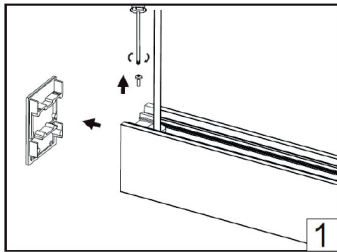
Recessed

Cut out the ceiling.
Cutout size – LL-4FT: 1210*75mm, LL-5FT: 1510*75mm

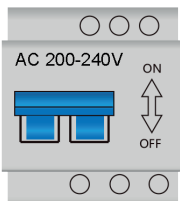
- A. Wiring.
- B. Select CCT light output using the slide switch on top of the lamp.
- C. Fix the lamp to the cutout on the ceiling with spring clips.



3. Linked Installation



4. Turn on the main power switch and complete the installation.



Cautions

1. Input voltages: 200-240VAC, 50Hz.
2. Maximum rated power for linkable linear light is **1000W**.
3. Cut off the power before installation, maintenance, and replacement.
4. Do not connect the power before the light has been installed correctly.
5. Do not install the light on any damaged or deformed ceiling.
6. Cut off the power immediately if any exceptional cases happen and contact a professional engineer.