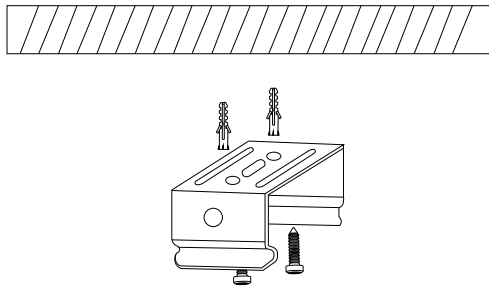


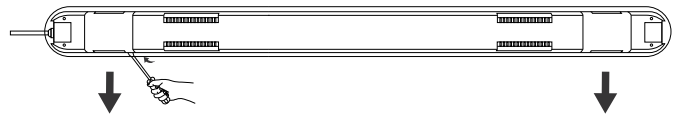


# LED Tri-Proof Light Installation Instructions

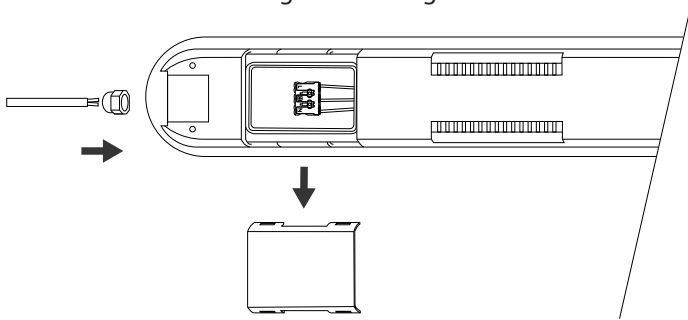
1. Drill holes and insert plastic dowel into the holes, fix the mounting bracket with provided screws.



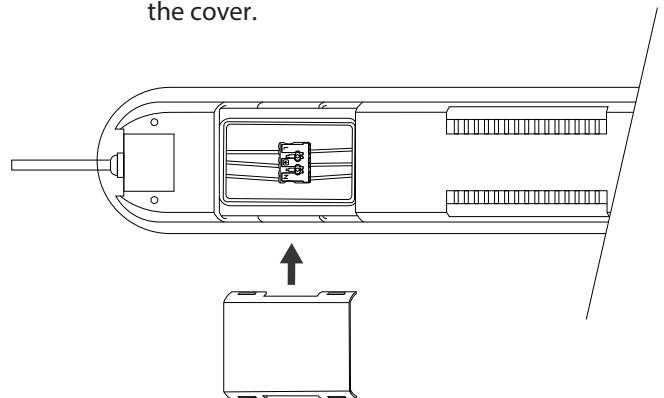
2. Remove the cover with a screwdriver.



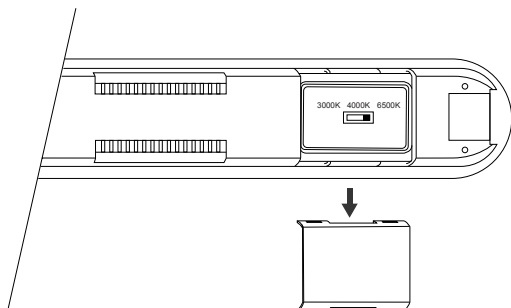
3. Loosen the cable gland and insert the power cable through the cable gland.



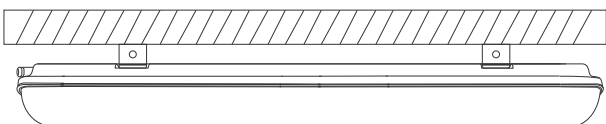
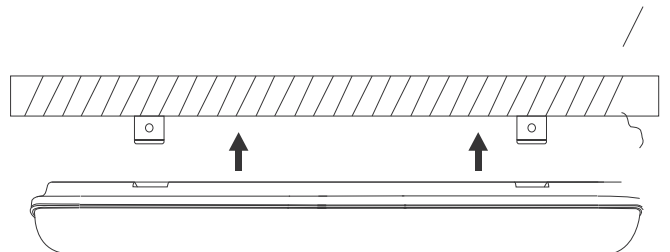
4. Connect the power cable to the connector and close the cover.



5. Remove the cover on the other end to select the light output, 3 CCT (3000K/4000K/6500K) options are available.



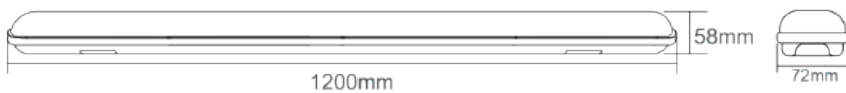
6. Mount the fixture on the ceiling/wall.



## Specification:

Model No.	TRI-AU07-4FT-SD	TRI-AU07-5FT-SD
Dimension(mm)	1200*72*58	1500*72*58
Wattage(w)	40W	50W
Input Voltage(v)	AC220~240V	
Light Source	SMD2835	
SDCM	<6	
CCT(K)	3000K-4000K-6500K	
Lumen (Lms/W) ± 5%	110Lms/W	
CRI	>80	
Beam Angle (°)	120°	
Dimming	Non-Dimmable	
Protection Class	Class I	
Degree of Protection (IP)	IP65	
Impact Resistance (IK)	IK08	
Material	Heatsink	ABS
	Diffuser	PC
L70	>54000Hrs	
Glow Wire Test (°C)	650°C	
Operation Temp. (°C)	-20~ 45°C	
Installation	Surface Mounted / Suspended	
Certifications	UKCA, CE, RoHS	
Warranty	5 Years	

## Dimension:



## Applications:

- Warehouses
- Supermarkets
- Shopping Malls
- Office Buildings
- Workshops
- Car Parks