



LED High Bay Light Installation Guide

Important Information:

These instructions contain safety information, read and follow them carefully. We will not accept any responsibility for injury, damage or loss which may occur due to incorrect installation, operation or maintenance.

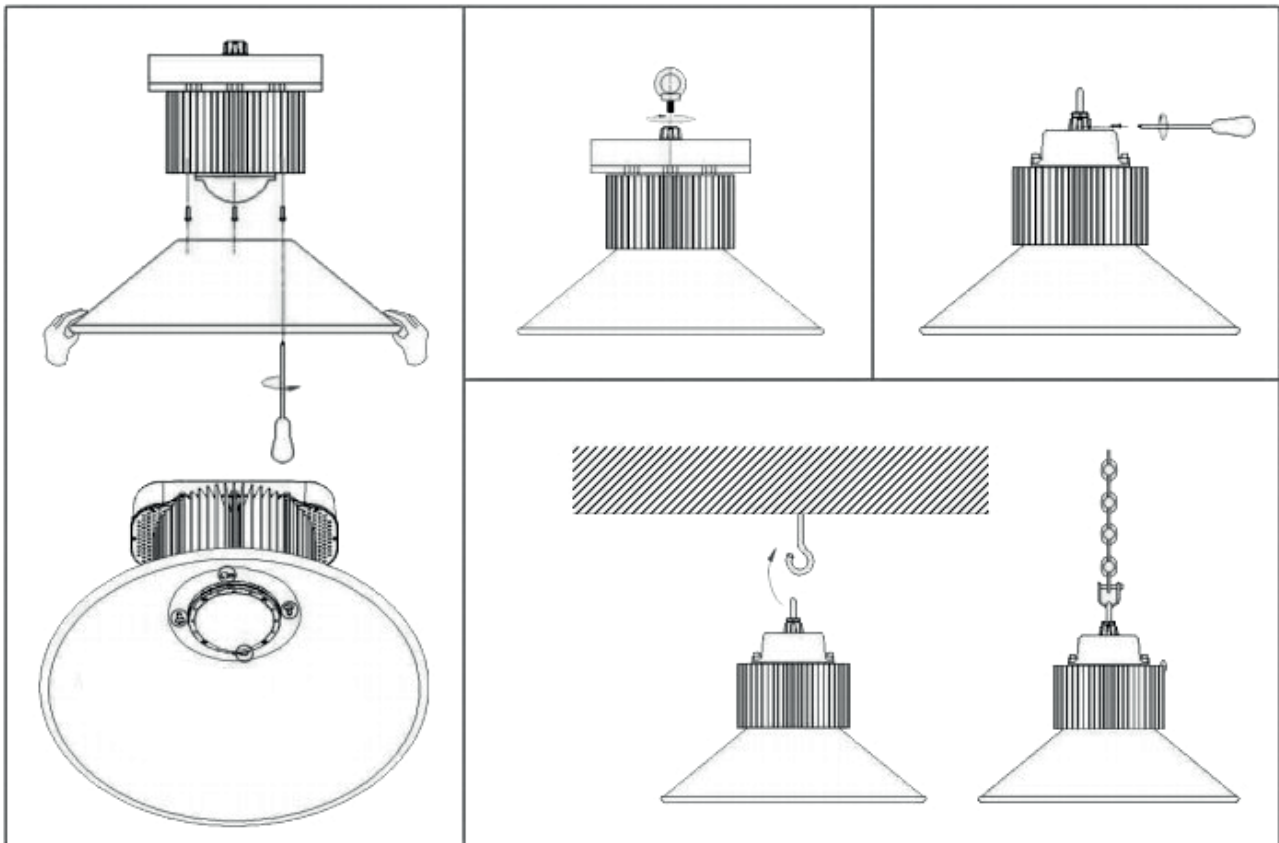
Warning:

To avoid the risk of fire, explosion, or electric shock, this product should be installed, inspected, and maintained by a qualified electrician only, in accordance with all applicable electrical codes.

Safety Instructions:

- Be certain electrical power is OFF before and during installation and maintenance.
- Make sure the supply voltage is the same as the rated luminaire voltage.
- Changes of the design and modifications to the LED luminaire are not permitted.
- Observe the national electrical safety rules and regulations during installation.

Classic LED High Bay Light Installation



1. Screw the reflector onto light.
2. Screw the hook onto the top of the light.
3. Light can be hanged straight to your ceiling hook or hanged using chain.
4. Wire the light to mains/switch.

Note: Ceiling hook and chain are not included.



Brown = Live
Blue = Neutral
Yellow/Green = Earth Wire